

INSTALLATION INSTRUCTIONS
INSTRUCTIONS D'INSTALLATION

IMPORTANT SAFEGUARDS

When using electrical equipment, basic safety precautions should always be followed including the following:

READ AND FOLLOW ALL SAFETY INSTRUCTIONS

- DANGER**- Risk of shock- Disconnect power before installation.
DANGER – Risque de choc – Couper l'alimentation avant l'installation.
- This luminaire must be installed in accordance with the NEC or your local electrical code. If you are not familiar with these codes and requirements, consult a qualified electrician.
Ce produit doit être installé conformément à NEC ou votre code électrique local. Si vous n'êtes pas familier avec ces codes et ces exigences, veuillez contacter un électricien qualifié.
- When closing cover of luminaire, be sure all wires are inside housing to avoid pinching wires.
- Never open or disconnect the neutral when voltage is applied to L1 or L2 conductors

SAVE THESE INSTRUCTIONS FOR FUTURE REFERENCE

TO INSTALL:

TWO LEVEL REMOTE SENSOR OPTION (G OPTION)

STEP 1:

Never open or disconnect the neutral when voltage is applied to L1 or L2 conductors.

STEP 2:

If wiring luminaire to a phase to phase (typically 208/240/480V) circuit, make sure that the neutral jumper is removed. See **Figure 2 or 4.**

STEP 3:

Luminaire may be operated at low mode (175 mA), standard mode (350 mA) or high mode (525 mA). **NOTE:** High mode is not applicable for 140-240 LED Luminaires.

STEP 4:

How Multi-Level LED products work: Drive currents determine the light output of the LEDs. By applying voltage to the luminaires supply conductors, different light levels can be achieved. Line 1 and Line 2 can be switched on and off separately using a manual switch or other automated device supplied by the customer.

NOTE: See the luminaires label to verify the following Remote Sensor Options:

- HG Option = 175/350mA
- CG Option = 175/350/525mA (120 LED Max.)
- DG Option = 350/700mA (60 LED Max.)

LOW MODE:

- HG or CG Option LED's run at 175 mA
- DG Option LED's run at 350mA
- Low mode is achieved when voltage is applied to Line 1 (L1) and Line 2 (L2) is de-energized.

STANDARD MODE:

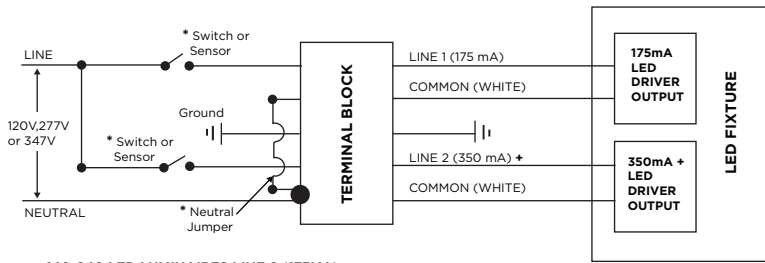
- CG Option LED's run at 350mA
- Standard mode is achieved when voltage is applied to Line 2 (L2) and Line 1 (L1) is de-energized.

HIGH MODE:

- HG Option LED's run at 350mA
- CG Option LED's run at 525 mA
- DG Option LED's run at 700mA
- High mode is achieved when voltage is applied to both Line 1 (L1) and Line 2 (L2).

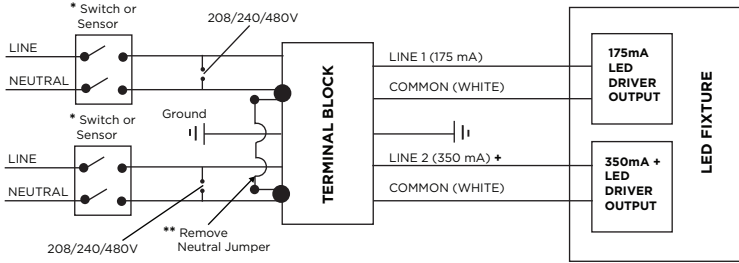
Option	Mode	Line 1	Line 2	Driver Current Output
HG or CG	Low	ON	OFF	175mA
DG	Low	ON	OFF	350mA
CG	Normal	OFF	ON	350mA
HG	High	ON	ON	350mA
CG	High	ON	ON	525mA
DG	High	ON	ON	700mA

1 PHASE TO NEUTRAL



- + 140-240 LED LUMINAIRES LINE 2 (175MA)
- * SWITCH OR SENSOR SUPPLIED BY CUSTOMER

2 PHASE TO PHASE

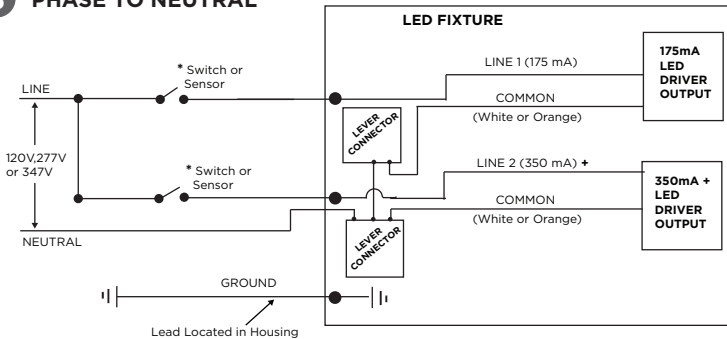


- + 140-240 LED LUMINAIRES LINE 2 (175MA)
- * SWITCH OR SENSOR SUPPLIED BY CUSTOMER
- ** IMPORTANT - REMOVE NEUTRAL JUMPER WHEN CIRCUIT IS PHASE TO PHASE

REMOTE SENSOR OPTION WIRING

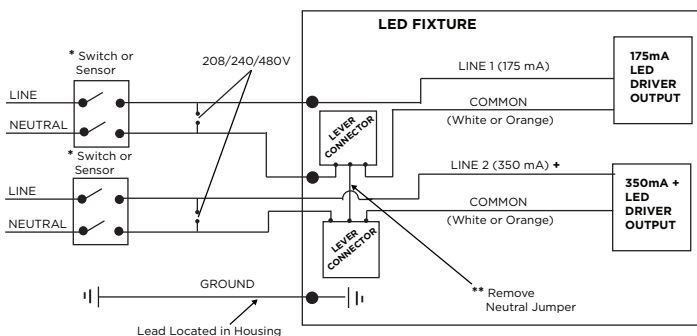
- Wire luminaire based on the available electrical circuit. See diagrams below: **Figure 1 or 2** for luminaires with terminal block and **Figure 3 or 4** for luminaires without a terminal block.
- L1 or L2 leads from luminaire can be connected to the same phase or different phases.
- L1 or L2 leads can be switched together or independently depending on the application's requirements.
- **IMPORTANT** - On phase to phase circuits remove neutral jumper. See **Figure 2 or 4**.

3 PHASE TO NEUTRAL



- + 140-240 LED LUMINAIRES LINE 2 (175MA)
- * SWITCH OR SENSOR SUPPLIED BY CUSTOMER

4 PHASE TO PHASE



- + 140-240 LED LUMINAIRES LINE 2 (175MA)
- * SWITCH OR SENSOR SUPPLIED BY CUSTOMER
- ** IMPORTANT - REMOVE NEUTRAL JUMPER WHEN CIRCUIT IS PHASE TO PHASE