

IMPORTANT SAFEGUARDS

When using electrical equipment, basic safety precautions should always be followed including the following:

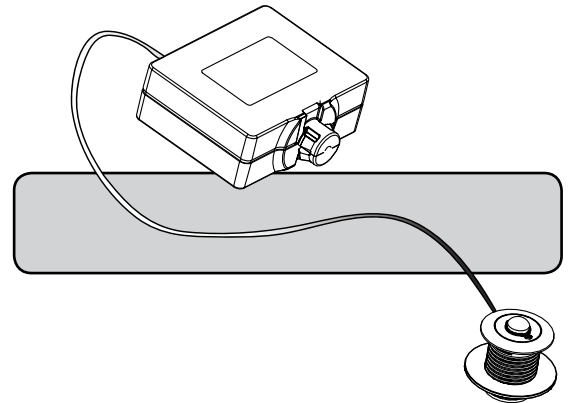
READ AND FOLLOW ALL SAFETY INSTRUCTIONS

1. Before installing turn off the power at the circuit breaker.
2. Must be installed in accordance with the national and local building codes and electrical wiring codes including wiring methods and wiring connections. If you are not familiar with these codes and requirements, consult a qualified electrician.
3. Indoor use only and suitable for damp locations.
4. Any changes or modifications to these devices not explicitly approved by manufacturer could void your authority to operate this equipment.

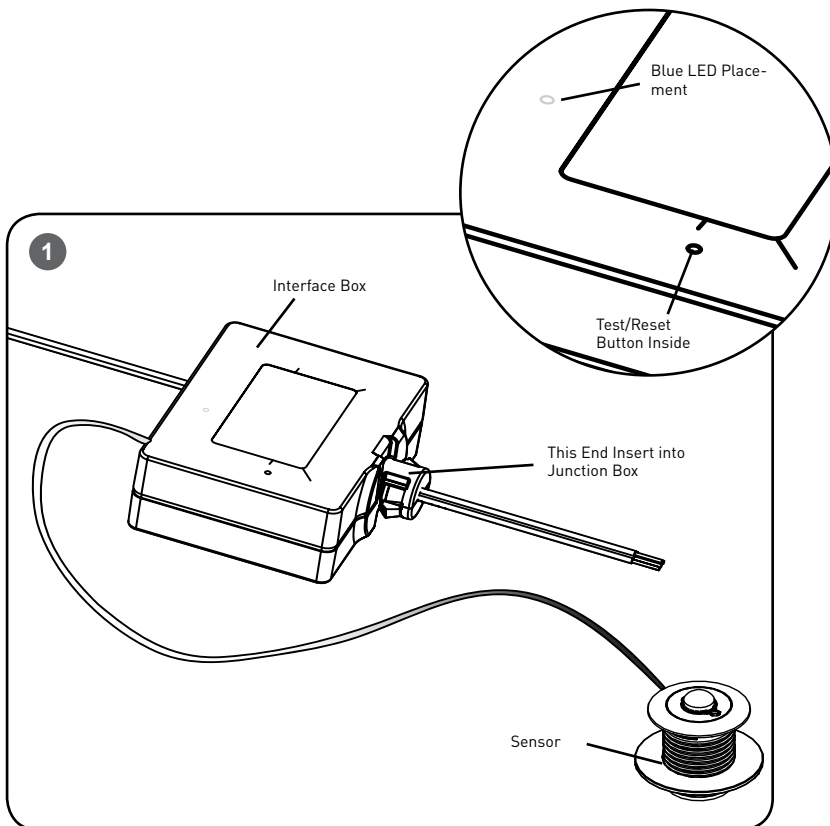
INSTALLATION INSTRUCTIONS

SAVE THESE INSTRUCTIONS FOR FUTURE REFERENCE

- Voltage: 120-277V, 60Hz, 800W Max.
- Load Type: 5A/120VAC and 3A/277VAC (Electric Ballast/ General Purpose (LED)).
- Load Inrush Current: Do not exceed 10A Max
- Install using a junction box that has a 1/2" knockout.
- Refer to product spec sheet for compatibility info for specific fixtures.



Blue LED is Inside the Relay Box, Light will Shine Through at the LED Placement Shown Below.



UNIT DESCRIPTION

The Cree Wireless 0-10V Interface is used to wirelessly control LED luminaires that do not have built in Cree SmartCast® Technology. The Cree Wireless 0-10V Interface provides on, off, and 0-10V dimming control.

LOAD TYPES

0-10V dimmable loads (IEC60929)

INSTALLATION

NOTE: For ease of installation, Cree recommends using a Junction Box with a 1/2" knockout.

STEP 1:

Disconnect power to circuit by turning circuit breaker OFF before installation.

STEP 2:

Remove Junction Box cover.

STEP 3:

Remove knockout and firmly install plastic relay box into Junction Box until it snaps and is securely attached

STEP 4:

Strip existing Junction Box wires 1/2".

STEP 5:

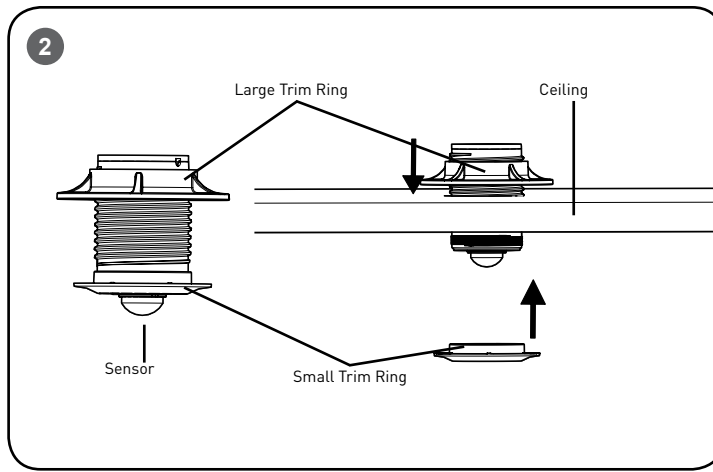
Make wiring connection per the **Electrical Connection** section.

STEP 6:

Attach Junction Box cover.

STEP 7:

Install sensor into ceiling by drilling a 2" hole into the ceiling.



STEP 8:

Unscrew the small trim ring near the sensor and place sensor assembly through the ceiling. See **Figure 2**.

STEP 9:

Secure the sensor assembly by screwing the small trim ring removed in Step 8 back onto the sensor assembly. Tighten the larger trim ring above the ceiling until it is snugged tight against the ceiling. See **Figure 2**.

STEP 10:

Switch the circuit breaker ON.

STEP 11:

The blue LED should repeat a two blink sequence. If the blue LED does not respond with the two-blink sequence, please follow the RESET instructions to return the 0-10V Interface to factory defaults.

STEP 12:

Verify the LOAD wiring with the following TEST instructions:

- Press and hold the Test/Reset button for 5 sec then release. The blue LED should respond with a five-blink sequence. Once test mode has been entered, LOAD enters State 1. See **Figure 1**.
- Press and hold Test/Reset button for 1 sec then release to transition to the next state. The sequence repeats after State 3. Please refer to the load table below for your load type.
- To exit test mode at any time, press and hold the Test/Reset button for 5 sec then release. The five-blink sequence ends when test mode is exited.

	Dimmable	Non-Dimmable
State 1	Off	Off
State 2	Max light output (10V)	On
State 3	Min light output (1V)	On

RESET

STEP 1:

Press and hold Test/Reset button until the LED flashes fast (approximately 30 seconds).

STEP 2:

Release the Test/Reset button for 1 second (Fast flashing continues). Press and hold Test/Reset for 1 second until fast flashing stops. If the blue LED does not respond with the two-blink sequence, please repeat the RESET procedure.

TROUBLESHOOTING:

Out of the box, if the LOAD does not turn on when power is applied:

Perform TEST mode to verify proper functionality of the load type

- If TEST mode fails, check Wiring with power off.
- If wired correctly, check to see if Blue LED is blinking.
- If Blue LED is blinking, then perform a RESET (See RESET section).
- If Blue LED is on solid or off, call Cree Customer Service.
- If you have done a RESET, and the LOAD is still off, call Cree Customer Service.

If LOAD is unresponsive use Cree Configuration Tool to verify configuration.

FCC NOTICE

This device complies with Part 15 of the FCC Rules. Operation is subject to the following two conditions: (1) this device may not cause harmful interference, and (2) this device must accept any interference received, including interference that may cause undesired operation. Any changes or modifications not expressly approved by the party responsible for compliance could void the user's authority to operate the device.

This device has been tested and found to comply with the limits for a Class A digital device, pursuant to Part 15 of the FCC Rules. These limits are designed to provide reasonable protection against harmful interference when the device is operated in a commercial environment. This device generates, uses, and can radiate radio frequency energy and, if not installed and used in accordance with the instruction manual, may cause harmful interference to radio communications. Operation of this device in a residential area is likely to cause harmful interference in which case the user will be required to correct the interference at his own expense.

In addition, this device complies with ICES-003 of the Industry Canada (IC) Regulations.

INDUSTRY CANADA STATEMENT

This device complies with Industry Canada licence-exempt RSS standard(s). Operation is subject to the following two conditions: (1) this device may not cause interference, and (2) this device must accept any interference, including interference that may cause undesired operation of the device. In addition, this device complies with ICES-003 of the Industry Canada (IC) Regulations.

Le présent appareil est conforme aux CNR d'Industrie Canada applicables aux appareils radio exempts de licence. L'exploitation est autorisée aux deux conditions suivantes : (1) l'appareil ne doit pas produire de brouillage, et (2) l'utilisateur de l'appareil doit accepter tout brouillage radioélectrique subi, même si le brouillage est susceptible d'en compromettre le fonctionnement.

ELECTRICAL CONNECTIONS

STEP 1:

Make the following Electrical Connections:

- Connect the black Wireless 0-10V Interface lead to the voltage supply position.
- Connect the white Wireless 0-10V Interface lead to the neutral supply position.
- Connect the red Wireless 0-10V Interface lead to the load supply position.
- Connect the green Wireless 0-10V Interface lead to the green wire position of the junction box.

For Dimming make the following connections to the customer supplied load:

- Connect the violet Wireless 0-10V Interface lead to the +10V dimming wire of the load.
- Connect the grey Wireless 0-10V Interface lead to the dimming common wire of the load.

