

# BR30 Series

LBR-30 LED Reflector Lamp

## Product Description

The LBR-30™ LED BR30 lamp delivers 600 lumens of exceptional 94 CRI light white achieving 50 lumens per watt. This breakthrough performance is achieved by combining the high efficacy and high-quality light of Cree TrueWhite® Technology. The LBR-30 is available in a warm color temperature and 25- or 50-degree beam angles. Available in both Edison and GU24 bases, the LBR-30 is a spec grade solution perfect for down lighting, track, and accent lighting use in both commercial and retail applications.

## Performance Summary

Utilizes Cree TrueWhite® Technology

ENERGY STAR® qualified to last at least 25,000 hours

**Initial Delivered Lumens:** 600 lumens

**Input Power:** 12 watts

**CRI:** 94

**CCT:** 2700K

**CBCP:** 25°, 1940, 50°, 785

**Beam Angle:** 25°, 50°

**Limited Warranty<sup>1</sup>:** 3 years

**Lifetime:** Designed to last 50,000 hours in open fixtures

**Non-IC Lifetime:** Designed to last 35,000 hours in non-IC recessed downlights

**Dimming:** Dimmable to 20% with ELV dimmers

Must order in multiples of master carton (MC) quantities; MC = 4

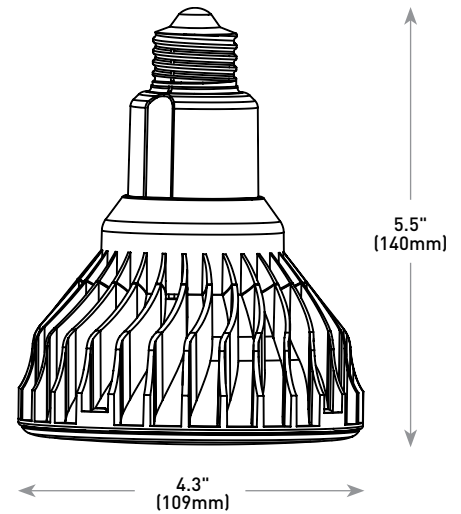
<sup>1</sup>See <http://lighting.cree.com/warranty> for warranty terms

## Accessories

Reference housing & accessory documents for more details

### Trackheads

Lampholder, Edison Socket  
TL



## Ordering Information

Example: LBR30A92-25D

### Product

**LBR30A92-25D**  
Edison Base, 25° Beam Angle  
**LBR30A92-25D-GU24**  
GU24 Base, 25° Beam Angle  
**LBR30A92-50D**  
Edison Base, 50° Beam Angle  
**LBR30A92-50D-GU24**  
GU24 Base, 50° Beam Angle



Rev. Date: V3 11/01/2016



**Product Specifications**

**CREE TRUEWHITE® TECHNOLOGY**

A revolutionary way to generate high-quality white light, Cree TrueWhite® Technology is a patented approach that delivers an exclusive combination of 90+ CRI, beautiful light characteristics, and lifelong color consistency, all while maintaining high luminous efficacy – a true no compromise solution

**CONSTRUCTION & MATERIALS**

- Durable die-cast aluminum housing with lens protects LEDs and optical system
- Thermal management system uses integral heat sink to conduct heat away from LEDs and transfer it to the surrounding environment for optimal performance
- Housing conforms to ANSI standards for BR30 lamp envelopes

**NOTE:** To ensure compatibility, verify fit in fixtures that utilize the lamp face for mechanical attachment. Color filters, baffles, or other shielding media may affect color consistency and lifetime

**OPTICAL SYSTEM**

- Combination of diffusing lens and internal beam enhancer redirects light to achieve a uniform, comfortable appearance that eliminates pixelation and direct view of unshielded LEDs. This ensures smooth light patterns are projected with no hot spots and minimal striations
- Innovative beam enhancer is precisely designed for exceptional optical control, enabling 25° or 50° beam angles with almost no light wasted outside of the beam. This ensures low brightness appearance when viewed from off-axis and outside of the beam

**ELECTRICAL SYSTEM**

- Integral, high-efficiency driver and power supply
- **Power Factor:** > 0.9 nominal
- **Input Voltage:** 120V, 60Hz
- **Dimming:** Dimmable to 20% with ELV dimmers

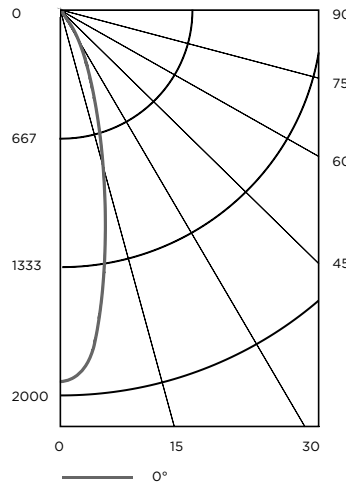
**REGULATORY & VOLUNTARY QUALIFICATIONS**

- ENERGY STAR® qualified
- cULus Listed
- Utilize GU24 base for new construction projects in California or other areas where high-efficacy line voltage sockets are required
- Exceeds ENERGY STAR® color consistency requirements
- Suitable for damp locations

**Photometry**

**LBR30A92-25D Based on OnSpex #: 30015498-1**

Luminaire photometry has been conducted by a NVLAP accredited testing laboratory in accordance with IESNA LM-79-08. IESNA LM-79-08 specifies the entire luminaire as the source resulting in a luminaire efficiency of 100%

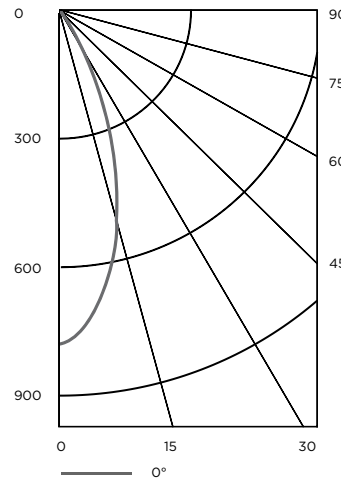


Zonal Lumen Summary		
Zone	Lumens	% Lamp
0-30	454	75.67%
0-40	512	85.33%
0-60	577	96.17%
0-90	600	100%

Intensity (Candlepower) Summary	
Angle	Mean CP
0°	1940
5°	1822
15°	796
25°	277
35°	89
45°	51
55°	29
65°	15
75°	7
85°	3
90°	2

**Photometry**

**LBR30A92-50D Based on OnSpex #: 30015498-2**



Zonal Lumen Summary		
Zone	Lumens	% Lamp
0-30	365	60.83%
0-40	470	78.33%
0-60	572	95.33%
0-90	600	100%

Intensity (Candlepower) Summary	
Angle	Mean CP
0°	785
5°	748
15°	537
25°	302
35°	154
45°	76
55°	39
65°	19
75°	7
85°	1
90°	0

Reference <http://lighting.cree.com/products/indoor/lamps/lbr-series> for detailed photometric data

© 2016 Cree, Inc. and/or one of its subsidiaries. All rights reserved. For informational purposes only. Content is subject to change. Patent [www.cree.com/patents](http://www.cree.com/patents). Cree®, TrueWhite® and Cree TrueWhite® are registered trademarks and the Cree logo, the Cree TrueWhite Technology logo, and LBR-30™ are trademarks of Cree, Inc. ENERGY STAR® and the ENERGY STAR logo are registered trademarks of the U.S. Environmental Protection Agency. The UL logo is a registered trademark of UL LLC.

