

0-10V Interface

Wireless 0-10V Dimming/Switching Interface with SmartCast® Technology

Product Description

The Cree Wireless 0-10V Interface with Cree SmartCast® Technology enables control of 0-10V dimmable luminaires by other SmartCast® Technology devices. The Cree 0-10V Interface includes ambient light and motion sensor module that blends into the ceiling for a quiet look. Cree SmartCast® Technology, Cree's intelligent light solution, provides extreme energy productivity and code compliance – all with installation that's so intuitive and simple, it just works. Cree SmartCast® Technology products incorporate integrated ambient and occupancy sensing and wireless communication to achieve energy savings and extended product life resulting in lower electricity bills, reduced maintenance, and an improved total cost of ownership over traditional lighting control systems.

Performance Summary

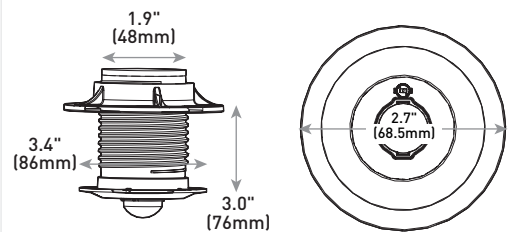
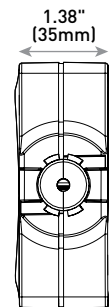
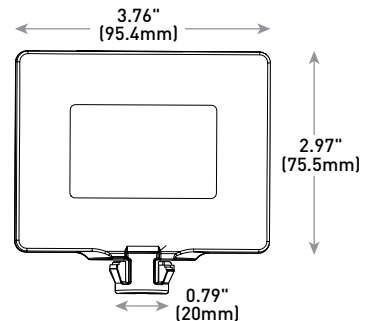
- Cree SmartCast® Technology enabled
- 0-10V dimming control
- Low-profile sensor module
- Quick and easy installation
- Input Voltage:** 120-277V
- Limited Warranty:** 5 years¹

¹See <http://lighting.cree.com/warranty> for warranty terms

Accessories

Field-Installed	
Cree SmartCast® Technology Configuration Tool CCT-CWC-1 - One required per project when CMA control is selected	Cree SmartCast® Technology Wireless Dimmer CWD-CWC-WH Cree SmartCast® Technology Wireless Switch CWS-CWC-WH
Cree SmartCast® Technology Face Plates CFP-1-WH - Matching Cree face plate, 1-gang, white CFP-2-WH - Matching Cree face plate, 2-gang, white CFP-3-WH - Matching Cree face plate, 3-gang, white	

Control Module Occupancy Sensor



Ordering Information

Example: CIF-10V-CWC-SNSR

CIF-10V	CWC-SNSR
Product	Options
CIF-10V Cree Wireless 0-10V Interface with class 2 dimming	CWC-SNSR Cree SmartCast® Technology with integral ambient and motion sensors



Rev. Date: V6 08/04/2017



Product Specifications

CREE SMARTCAST® TECHNOLOGY

Cree SmartCast® Technology is the most intuitive and easiest to install intelligent light solution on the market. SmartCast Technology delivers up to 70% energy savings at up to half the cost of other solutions. Luminaires combine best-in-class light with onboard sensors and intelligence to deliver a better light experience. Extreme energy productivity, code compliance and a better light experience without any extra design, installation or setup work.

MECHANICAL SYSTEM

- Installs into 1/2" (13mm) knockout in junction box or fixture
- Sensor module installs into ceiling tile or drywall ceiling (0.25" - 1.5" [6mm - 38mm] thickness)
- Meets plenum requirements defined in UL508
- Can be installed into air handling space (plenum) per requirements of the National Electric Code (NEC)*

ELECTRICAL SYSTEM

- **Input Voltage:** 120-277V, 60Hz
- **Input Power:** <1W standby power
- **Dimming control output:** 0-10V dimming (meets IEC60929)
- **Switched output (max.):** 6A/120V, 3A/277V
- 10 year power fail memory of settings
- **Inrush current:** 10A max

INTEGRAL WIRELESS COMMUNICATION

- 2.4GHz wireless mesh technology with AES 128-bit encryption.
- Self assigns to quietest channel during OneButton™ Setup
- **Range:**
 - 30' (9.1m) in typical commercial applications
 - 300' (91.4m) open air without obstructions
- **Network:** 250 devices max
- **Space:** 100 devices max. per group
- 0-10V Interface is at full output until OneButton™ Setup is initiated by the Cree Configuration Tool

INTEGRAL MOTION SENSOR

- Passive infrared (PIR)
- **Coverage area:** 100 sq. ft. (30.5m²) at 10' (3.0m) mounting height
- Not intended to be mounted higher than 12' (3.7m)
- **Operation:**
 - Grouped with a wall control: Luminaire will operate in vacancy mode (manual-on/auto-off)
 - Not grouped with a wall control: Luminaire will operate in occupancy mode (auto-on/auto-off)
 - Luminaires operate at full intensity until OneButton™ Setup is initiated by the Cree Configuration Tool

INTEGRAL AMBIENT LIGHT SENSOR

- Luminaires operate at full intensity until OneButton™ Setup is initiated by the Cree Configuration Tool
- Daylight harvesting calibration performed automatically during OneButton™ Setup
- Not intended to be mounted higher than 12' (3.7m)

DEPLOYMENT

- Please refer to the SmartCast® Deployment Guide at www.creelink.com/exLink.asp?236135640H88E44I39771048

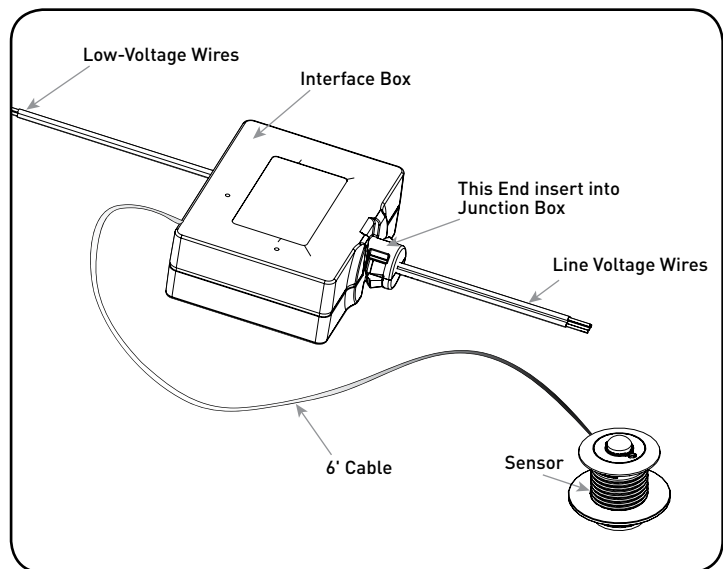
REGULATORY & VOLUNTARY QUALIFICATIONS

- cULus Listed
- Suitable for damp locations
- FCC certified
- IC certified
- Designed for Indoor use

* Local codes and requirements may vary. Consult your local code

Wiring Diagram

0-10V INTERFACE



0-10V Interface

Multi-Fixture Compatibility		
Type	SKU	Maximum Number of Product per SmartCast® 10V Interface
Essentia® by Cree 4" Downlight & Essentia® by Cree 4" Adjustable Downlight	S-DL4-11L-*	4
	S-DL4-A-11L-*	4
	S-DL4-15L-*	4
	S-DL4-A-15L-*	4
	S-DL4-24L-*	4
	S-DL4-A-24L-*	4
	S-DL4-34L-*	4
	S-DL4-A-34L-*	4
	S-DL4-42L-*	4
	S-DL4-A-42L-*	4
Essentia® by Cree 6" Downlight & Essentia® by Cree 6" Adjustable Downlight	S-DL6-11L-*	4
	S-DL6-A-11L-*	4
	S-DL6-15L-*	4
	S-DL6-A-15L-*	4
	S-DL6-24L-*	4
	S-DL6-A-24L-*	4
	S-DL6-34L-*	4
	S-DL6-A-34L-*	4
	S-DL6-42L-*	4
	S-DL6-A-42L-*	4
	S-DL6-50L-*	4
	S-DL6-63L-* 120	4
	S-DL6-63L-* 277	3
	S-DL6-75L-* 120	4
	S-DL6-75L-* 277	2
	S-DL6-84L-* 120	4
	S-DL6-84L-* 277	2
Essentia® by Cree 8" Downlight & Essentia® by Cree 8" Adjustable Downlight	S-DL8-A-15L-*	4
	S-DL8-A-24L-*	4
	S-DL8-A-34L-*	4
	S-DL8-42L-*	4
	S-DL8-A-42L-*	4
	S-DL8-50L-*	4
	S-DL8-63L-* 120	4
	S-DL8-63L-* 277	3
	S-DL8-75L-* 120	4
	S-DL8-75L-* 277	2
	S-DL8-84L-* 120	4
	S-DL8-84L-* 277	2
Essentia® by Cree Track (dimming not supported by SmartCast 10V Interface)	S-CT-MFB-5L-*	10
	S-CT-BVLCYL-10L-*	10
	S-CT-FB-25L-*	10
	S-CT-WW-25L-*	10
	S-CT-WW-50L-*	10

© 2017 Cree, Inc. and/or one of its subsidiaries. All rights reserved. For informational purposes only. Content is subject to change. Patent www.cree.com/patents. Cree®, SmartCast® and the SmartCast logo are registered trademarks, and the Cree logo and OneButton™ are trademarks of Cree, Inc. The UL logo is a registered trademark of UL LLC.

