

ZR Series

ZR24™ 2' x 4' LED Troffer

Product Description

The ZR24™ LED troffer delivers up to 5000 lumens of superior 90 CRI light quality and is perfect for both new construction and renovation. Powered by Cree TrueWhite® Technology, the slim and lightweight ZR24™ LED troffer boasts an efficacious 90-111 LPW performance along with 0-10V dimming to meet local energy codes. The ZR24™ LED troffer embodies a breakthrough in balancing energy savings, visual comfort and initial cost.

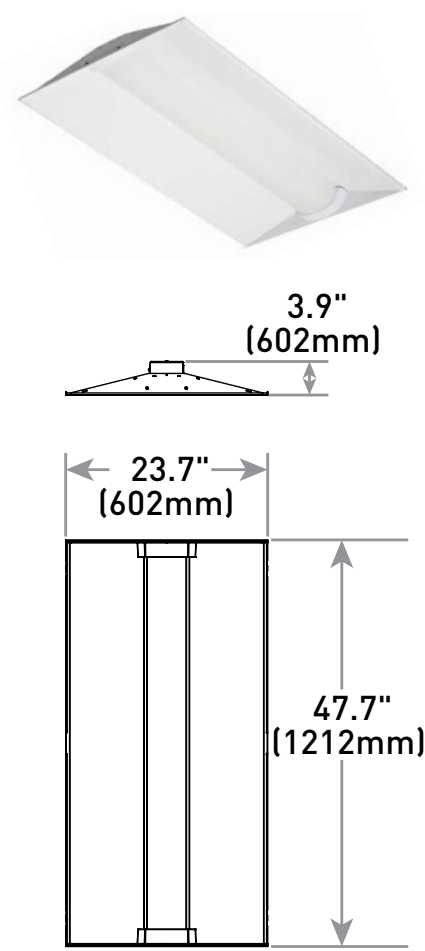
Performance Summary

- Utilizes Cree TrueWhite® Technology (90 CRI) or available in 80 CRI (FD)
- Efficacy:** 90-111 LPW
- Initial Delivered Lumens:** 4,000 or 5,000 lumens
- Input Power:** 44-45 watts
- CRI:** 90 CRI (Cree TrueWhite® Technology), 80+ CRI (FD)
- CCT:** 3500K, 4000K, 5000K
- Input Voltage:** 120-277 VAC or 347 VAC
- Limited Warranty*:** 10 years on luminaire
- Limited Warranty Emergency Back Up (EB) Battery:** 1 Year on Battery Back Up. Test regularly in accordance with local codes
- Controls:** 0-10V dimming to 5%
- Mounting:** Recessed*

* See <http://lighting.cree.com/warranty> for warranty terms
 * Not intended for use with 9/16" T-Bar grids unless used with a 9/16" accessory clip like "Armstrong® LFC- Fixture Clip" which can be purchased through distribution. Consult factory for non-standard grid applications.

Accessories

Field-Installed	
Drywall Grid Adapter DGA24-WHT	Wireless 0-10V Dimming/Switching Interface with Cree Smartcast® Technology CIF-10V-CWC-SNSR
Surface Mount Kit SMK-ZR24	- For use with luminaires with 10V controls when integral SmartCast isn't available
- Not for use with EB14 or SmartCast® Technology	Cree SmartCast® Technology Configuration Tool CCT-CWC-1
6' Flexible Power Whip PW-18/4-06-9T/SS	- One required per project when CIF-10V is selected
	Chicago Plenum Field Kit CPLZR
	- Fits all ZR types to be installed in the field



Ordering Information

Example: ZR24-40L-35K-10V

ZR24	Product	Initial Delivered Lumens	CCT	Voltage	10V Control	Options
ZR24	40L 44W, 4,000 Lumens 50L 45W, 5,000 Lumens - Available with FD option only	35K 3500K - Available with 40L only 40K 4000K 50K 5000K - Available with 50L only	Blank 120-277 Volt 34 347 Volt - Available with 40L only	10V 0-10V dimming to 5%	EB14 Emergency Backup - 1,400 lumens - Available on US versions only - Provides 90 minutes of emergency operation FD - Must order when 50L is selected - 80 CRI	



Rev. Date: V9 02/16/2017



Product Specifications

CREE TRUEWHITE® TECHNOLOGY

A revolutionary way to generate high-quality white light, Cree TrueWhite® Technology is a patented approach that delivers an exclusive combination of 90+ CRI, beautiful light characteristics, and lifelong color consistency, all while maintaining high luminous efficacy – a true no compromise solution.

CONSTRUCTION & MATERIALS

- Durable 22 ga. cold rolled steel housing provides strength and uniformity
- Ultra-thin 3.9" (99mm) luminaire height and lightweight design effectively target a broad range of plenum spaces and allow for easy installations
- Luminaire is pre-painted for enhanced smooth finish
- Includes t-bar clips and holes for mounting support wires (by others)
- Luminaire sides and ends are hemmed in for safe, easy handling
- Includes lens gasket to prevent ingress of insects
- Not for installation within 3" (76mm) of insulation

OPTICAL SYSTEM

- Unique luminaire design creates perfect balance of both horizontal and vertical illumination
- Optimized smooth acrylic lens eliminates pixelation and delivers a low-glare, diffused light distribution

ELECTRICAL SYSTEM

- Cree born components including highly efficacious Cree® LED chips along with an integral high-efficiency Cree® driver
- **Power Factor:** = 0.9 nominal
- **Input Power:** Stays constant over life
- **Input Voltage:** 120-277V or 347V, 60Hz
- **Operating Temperature Range:** 0°C - + 35°C (32°F - + 95°F)
- **Total Harmonic Distortion:** <20%

CONTROLS

- Continuous dimming to 5% with 0-10V DC control protocol
- **10V Source Current:** 0.25mA
- For use with Class 2 dimming systems only. Use only lighting controls with relay or FET-based outputs, or lighting controls with neutral connection
- Reference www.creelink.com/exLink.asp?70982140Z58R34I26620963 for recommended dimming controls and wiring diagrams

REGULATORY & VOLUNTARY QUALIFICATIONS

- cULus Listed
- Suitable for damp locations
- Designed for indoor use
- UL924 (EB option). Maximum mounting height: 15.0' (4.6m)
- DLC qualified. Please refer to www.designlights.org/QPL for most current information
- RoHS compliant. Consult factory for additional details
- Meets FCC Part 15, Subpart B, Class A standards for conducted and radiated emissions

Electrical Data*						
Initial Delivered Lumens	System Watts 120-347V	Total Current (A)				
		120V	208V	240V	277V	347V
40L	44	0.38	0.26	0.23	0.17	0.14
40L w/EB14 Option	46	0.38	0.27	0.24	0.17	N/A
50L	45	0.38	0.27	0.23	0.17	N/A
50L w/EB14 Option	48	0.41	0.28	0.25	0.19	N/A

* Electrical data at 25°C (77°F). Actual wattage may differ by +/- 10% when operating between 120-347V +/- 10%

Recommended ZR Series Lumen Maintenance Factors (LMF) ¹					
Ambient	Initial LMF	25K hr Projected ² LMF	50K hr Projected ² LMF	75K hr Calculated ³ LMF	100K hr Calculated ³ LMF
0°C (32°F)	1.04	1.04	1.04	1.04	1.04
5°C (41°F)	1.03	1.03	1.03	1.03	1.03
10°C (50°F)	1.02	1.02	1.02	1.02	1.02
15°C (59°F)	1.02	1.02	1.02	1.02	1.02
20°C (68°F)	1.01	1.01	1.01	1.01	1.01
25°C (77°F)	1.00	1.00	1.00	1.00	1.00
30°C (86°F)	0.99	0.99	0.99	0.99	0.99
35°C (95°F)	0.98	0.98	0.98	0.98	0.98

¹ Lumen maintenance values at 25°C are calculated per TM-21 based on LM-80 data and in-situ luminaire testing

² In accordance with IESNA TM-21-11, Projected Values represent interpolated value based on time durations that are within six times (6X) the IESNA LM-80-08 total test duration (in hours) for the device under testing (IDUT) i.e. the packaged LED chip

³ In accordance with IESNA TM-21-11, Calculated Values represent time durations that exceed six times (6X) the IESNA LM-80-08 total test duration (in hours) for the device under testing (IDUT) i.e. the packaged LED chip

Application Reference

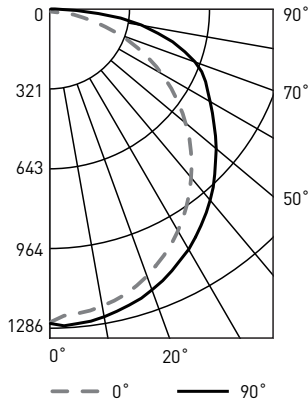
Open Space						
Spacing	Initial Delivered Lumens	Lumens	Wattage	LPW	w/ft ²	Average fc
8 x 8	40L	4,000	44	91	0.66	56
	50L	5,000	45	111	0.68	69
8 x 10	40L	4,000	44	91	0.55	46
	50L	5,000	45	111	0.56	57
10 x 10	40L	4,000	44	91	0.44	37
	50L	5,000	45	111	0.45	46
10 x 12	40L	4,000	44	91	0.35	30
	50L	5,000	45	111	0.36	37

^{10'} ceiling; 80/50/20 reflectances; 2.5' workplane, open room. LLF: 1.0 Initial. Open Space: 50' x 40' x 10'

Photometry

ZR24-40L-40K BASED ON DTC REPORT TEST #: 14938-G

Luminaire photometry has been conducted by a NVLAP accredited testing laboratory in accordance with IESNA LM-79-08. IESNA LM-79-08 specifies the entire luminaire as the source resulting in a luminaire efficiency of 100%.



Coefficients Of Utilization – Zonal Cavity Method				
RC %:	80			
RW %:	70	50	30	10
RCR: 0	119	119	119	119
1	107	102	97	93
2	97	88	80	74
3	88	76	68	61
4	80	67	58	51
5	73	60	50	43
6	68	54	44	38
7	63	49	40	33
8	58	44	36	29
9	55	41	32	26
10	51	37	29	24

Effective Floor Cavity Reflectance: 20%

Zonal Lumen Summary			
Zone	Lumens	% Lamp	Luminaire
0-30	990	N/A	24.4%
0-40	1,628	N/A	40.1%
0-60	2,949	N/A	72.6%
0-90	4,064	N/A	100%
0-180	4,064	N/A	100%

Average Luminance Table (cd/m ²)				
Vertical Angle	Horizontal Angle			
		0°	45°	90°
	45°	1,642	1,772	1,899
55°	1,580	1,788	2014	
65°	1,480	1,885	2,341	
75°	1,276	2,240	2,819	
85°	952	2,498	3,203	

Reference <http://lighting.cree.com/products/indoor/troffers/zr-series> for detailed photometric data

