

RC6

6" Recessed Housing

Product Description

The RC6 recessed housing is designed to accommodate Cree six-inch downlights in new construction applications. It is rated for use with luminaires that have low-wattage ratings, such as the LR6 and CR6, optimizing energy density calculations for easier energy code compliance and LEED certification. The RC6 housing is IC rated, airtight, inherently protected and, when ordered with a GU24 socket, California Title-24 compliant.

Product Specifications

CONSTRUCTION & MATERIAL

- Recessed housing with integral nailer and ceiling grid attachment accommodates Cree six-inch LED downlights in ceiling thicknesses from 0.25" to 1.25"
- Gasketed housing enables air-tight fit to effectively isolate housing assembly from conditioned space below
- Adjustable bar-hangers span from 14" to 24.5" without sag
- Suitable for insulated or non-insulated ceilings
- **Dimensions:** L 7.347" (187mm) RC6 & 7.42" (188mm) RC6-GU24/RC6-277V x W 9.68" (246mm) x H 14" (356mm) - 24.5" (622mm)

REGULATORY & VOLUNTARY QUALIFICATIONS

- cULus Listed
- Suitable for damp locations
- IC air-tight rated, tested in accordance with ASTM E283
- Title-24 compliant when utilized with GU24 socket

Compatible Downlights

| Downlights | | |
|--------------------------------------------------------------------|---------------------------------------------------------------------------|---------------------------------------------------|
| RC6 CR6 Series with E26 base LR6 Series with E26 base | RC6-GU24 CR6 Series with GU24 base LR6 Series with GU24 base | RC6-277V LR6 Series with 277V connector |

Ordering Information

Example: RC6

| Product |
|-----------------------------------------|
| RC6 120V, Edison Socket |
| RC6-GU24 120V, GU24 Socket |
| RC6-277V 277V, 277V Connector |

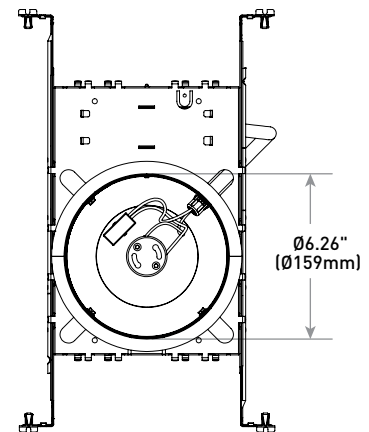
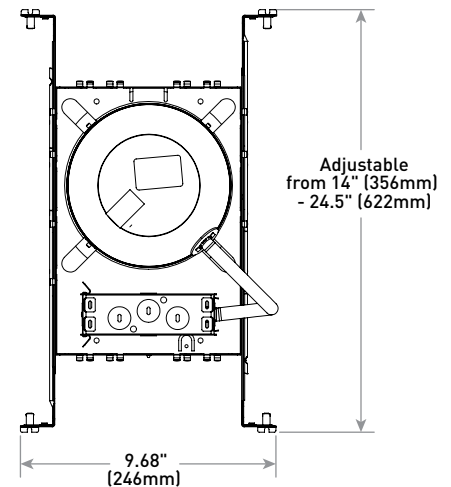
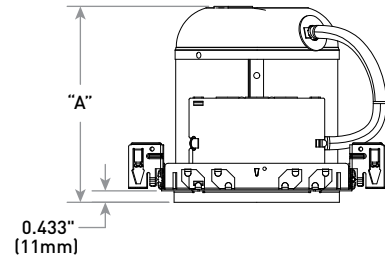
CA RESIDENTS WARNING: Cancer and Reproductive Harm – www.p65warnings.ca.gov



© 2018 Cree, Inc. and/or one of its subsidiaries. All rights reserved. For informational purposes only. Content is subject to change. Patent www.cree.com/patents. Cree® and the Cree logo are registered trademarks of Cree, Inc. The UL logo is a registered trademark of UL LLC.

US: lighting.cree.com

T (800) 236-6800 F (262) 504-5415



| Product | DIM "A" |
|-------------------|----------------|
| RC6 | 7.347" (187mm) |
| RC6-GU24/RC6-277V | 7.42" (188mm) |

Rev. Date: V4 10/10/2018

Canada: www.cree.com/canada



T (800) 473-1234 F (800) 890-7507