

IMPORTANT SAFEGUARDS

When using electrical equipment, basic safety precautions should always be followed including the following:

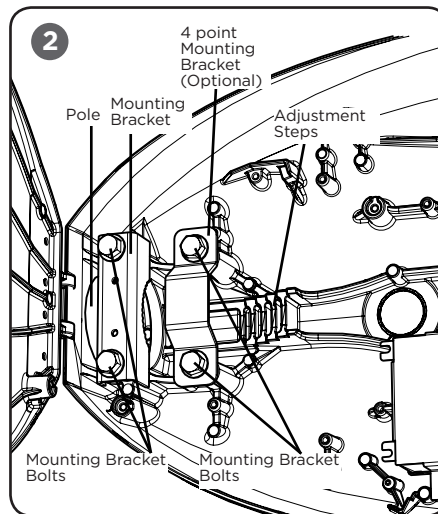
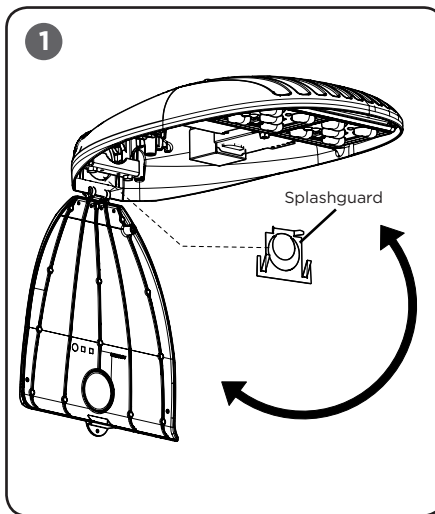
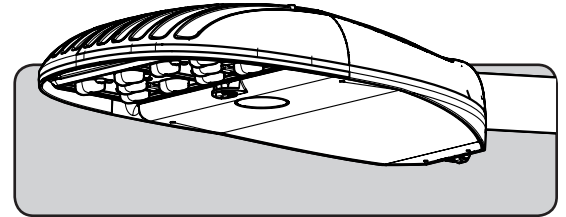
READ AND FOLLOW ALL SAFETY INSTRUCTIONS

1. To reduce the risk of electrical shock, turn off power supply before installation or servicing.
2. This luminaire must be installed in accordance with the NEC or your local electrical code. If you are not familiar with these codes and requirements, consult a qualified electrician.
3. If NEMA photo control is installed refer to NEMA Receptacle section for instructions.
4. If mounting bolts are completely removed in the field they should be hand threaded (prior to use of power tools) to ensure proper engagement of the thread when re-installing. Failure to pre-start threads may result in cross-threading or stripping of the bolts during reinstallation.

SAVE THESE INSTRUCTIONS FOR FUTURE REFERENCE

TO INSTALL:

INSTALLATION INSTRUCTIONS



LUMINAIRE INSTALLATION

STEP 1:

DO NOT remove splashguard from fixture. If mounting fixture to 1.25 IP pipe (1.66 O.D.), there is no need to modify the splashguard. If mounting fixture onto 2.0 IP pipe (2.38 O.D.), remove the knockout of the splashguard thru the rear opening of the fixture while the fixture is closed. See **Figure 1**.

STEP 2:

To open cover, hold fixture and loosen the captive D-ring and allow the cover to swing open. Splashguard may dislodge from fixture, but should be repositioned once ready to mount. See **Figure 1**.

STEP 3:

Slide fixture on to pole through opening on the rear of housing and through splashguard. See **Figure 2**.

STEP 4:

To level fixture, use bubble level located inside housing. Adjust leveling of fixture from side to side. To level from front to back, slide pole to different step in upper housing. Each step changes the angle in 2.5° degree increments.

STEP 5:

Once desired position is achieved, tighten (2) mounting bolts to the appropriate torque values specified in the "Torque Values" table. See **Figure 2** (use 9/16" wrench socket).

NOTE: Luminaires with 4 point mount will have (2) mounting brackets and (4) mounting bolts. See **Figure 2**.

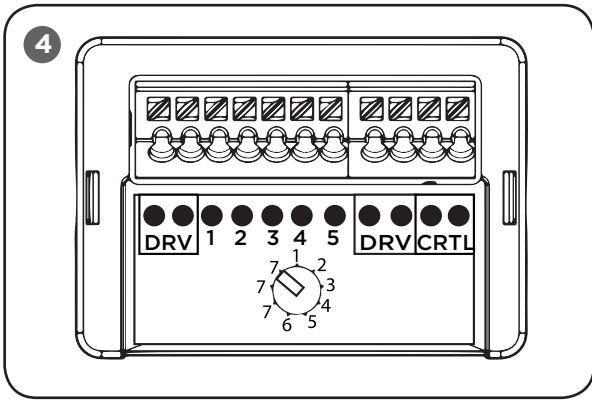
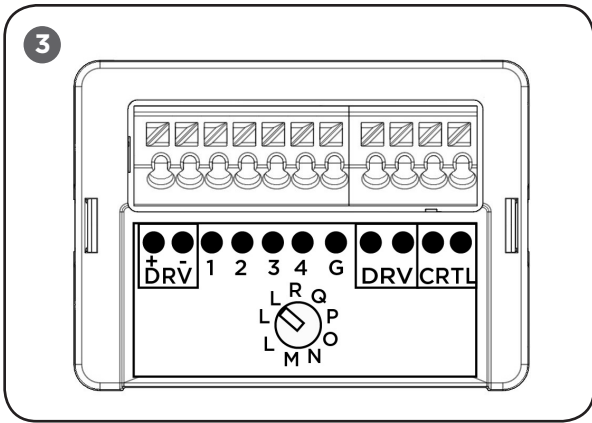
STEP 6:

IMPORTANT - DO NOT exceed these torque levels on the mount bolts. Exceeding recommended torque value resulting in excessive deformation of mounting bracket will cause stripping of mount hardware which could lead to an unsafe mounting condition.

STEP 7:

Reference **Electrical Connections** section for completing electrical connections.

TORQUE VALUES			
Pipe Size	Pipe Position	Bolt Torque Required (in-lbs)	Bolt Torque Required (N-m)
1.66 in O.D.	+5.0 degrees tilt	200	22
	+2.5 degrees tilt	200	22
	0 degrees (no tilt)	200	22
	-2.5 degrees tilt	200	22
	-5.0 degrees tilt	200	22
2.38 in O.D.	+5.0 degrees tilt	200	22
	+2.5 degrees tilt	200	22
	0 degrees (no tilt)	200	22
	-2.5 degrees tilt	200	22
	-5.0 degrees tilt	200	22



NEMA RECEPTACLE (OPTIONAL)

STEP 1:

DO NOT loosen/tighten flat head screws for the NEMA receptacle.

STEP 2:

Rotational adjustment of the photo control is tool-less.

STEP 3:

Engage/install photo control into NEMA receptacle on top of the fixture.

STEP 4:

Firmly rotate photo-control with its photo-eye approximately in the 'N' north direction. Some photo-controls operate best somewhere between NW and NE.

FIELD ADJUSTABLE DIMMING (OPTIONAL)

NOTE: This luminaire may be provided with field adjustable dimming. Luminaires leave the factory adjusted to the maximum setting specified when ordered. Verify which dimming module, either **Figure 3** or **4** is in the luminaire and visit www.cree.com/Lighting/Document-Library for product dimming spec sheet.

STEP 1:

The Dimming module is located inside the luminaire. Open the cover by loosening the captive D-ring and allow the cover to swing open.

STEP 2:

Establish the desired input power multiplier by referring to the product dimming spec sheet and turn the switch to the correlating position

STEP 3:

Adjust the Dimming Module, see **Figure 3** or **4**, to the selected position and close the cover ensuring no wires are pinched.

NOTE: The Utility Option will be limited to the highest setting ordered.

ELECTRICAL CONNECTIONS

STEP 1:

Make the following Electrical Connections to the terminal block:

- For 120/277V connect the black fixture lead to the voltage supply position of the terminal block (Hot 1 for 208/240V wiring).
- For 120/277V connect the white fixture lead to the neutral supply position of the terminal block or (Hot 2 for 208/240V wiring).
- Connect the green or green/yellow ground lead to the green wire position of the terminal block.
- If Dimming is an option; connect the violet dimming positive lead to the supply dimming positive lead.
- If Dimming is an option; connect the grey dimming negative lead to the supply dimming negative lead

STEP 2:

Push excess supply wires into pole.

STEP 3:

Close cover re-tighten the captive D-ring, making sure that no wires are pinched and latches are fully engaged.

