

## IMPORTANT SAFEGUARDS

When using electrical equipment, basic safety precautions should always be followed including the following:

### READ AND FOLLOW ALL SAFETY INSTRUCTIONS

- 1. DANGER-** Risk of shock- Disconnect power before installation.  
**DANGER – Risque de choc – Couper l'alimentation avant l'installation.**
- This luminaire must be installed in accordance with the NEC or your local electrical code. If you are not familiar with these codes and requirements, consult a qualified electrician.  
*Ce produit doit être installé conformément à NEC ou votre code électrique local. Si vous n'êtes pas familier avec ces codes et ces exigences, veuillez contacter un électricien qualifié.*

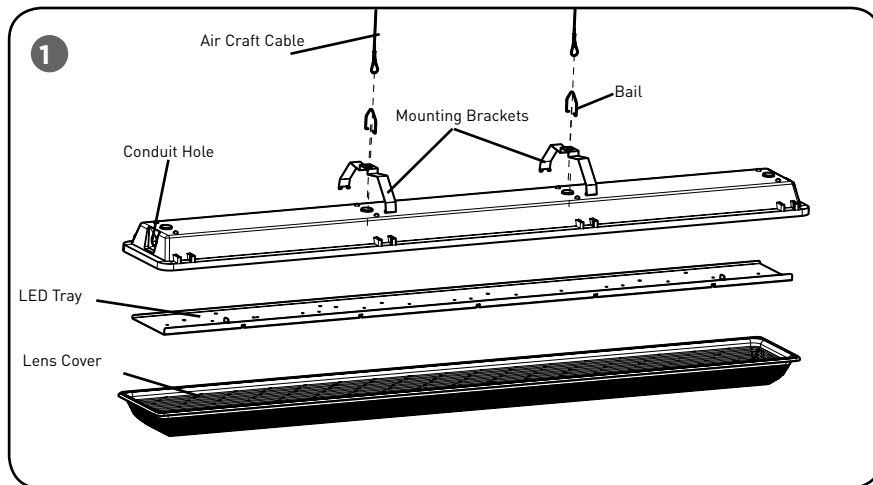
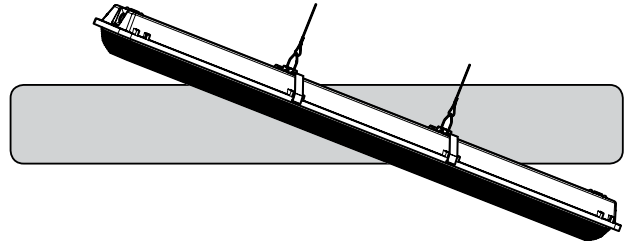
### SAVE THESE INSTRUCTIONS FOR FUTURE REFERENCE

#### NOTES:

- For use with Cree Cable Suspension Kit.
- Liquid tight conduit fitting must be IP65 rated, supplied by customer, to be used when attaching conduit to housing.

#### TO INSTALL:

## INSTALLATION INSTRUCTIONS



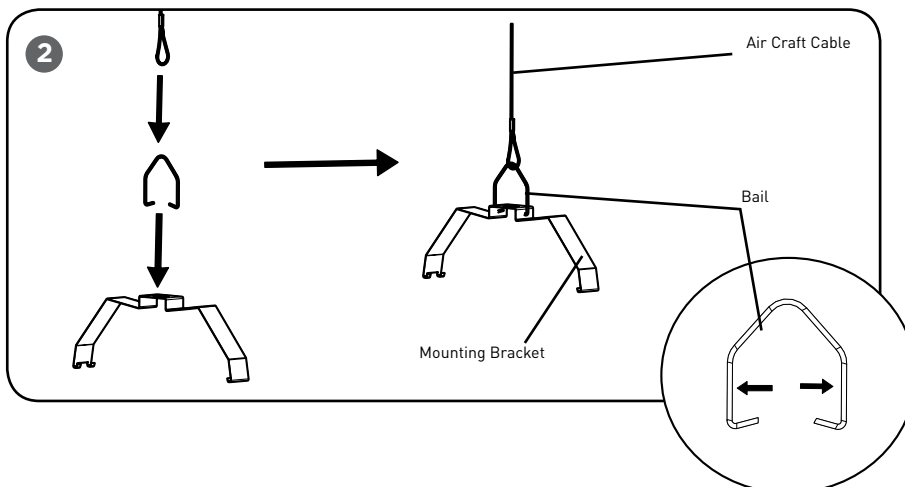
### SUSPENDED MOUNT

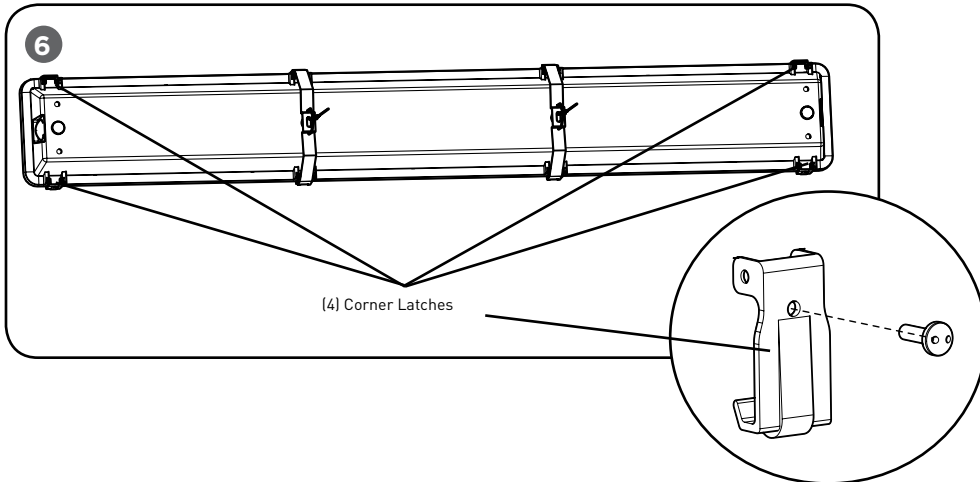
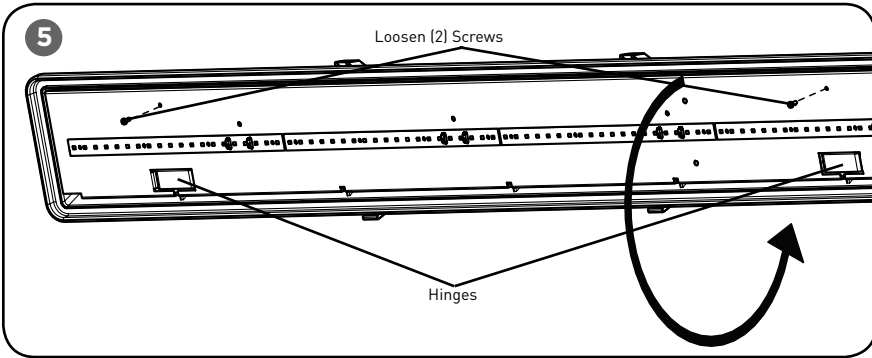
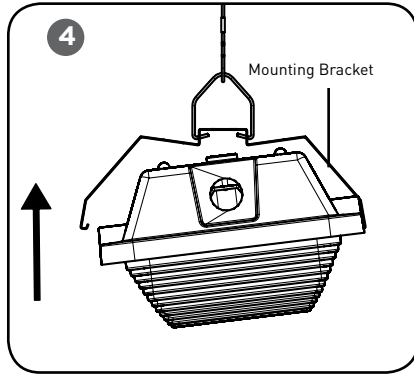
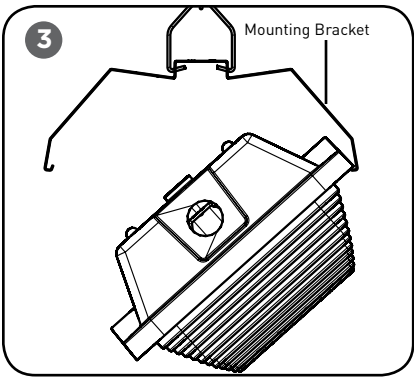
#### STEP 1:

Attach the bails to the mounting brackets by gently pulling outward on the bail and snapping it into the holes on the top of the mounting bracket. See **Figure 1 and 2.**

#### STEP 2:

Attach air craft cables to the bracket assembly. Attach the other end of the air craft cable to ceiling. See **Figure 2.**  
**NOTE:** It is recommended that the dimensions between brackets equal about 70-80% of the luminaire's length. The luminaire will engage to the mounting brackets at any point along its length, except where there are latches.





**STEP 3:**

Insert one side of the luminaire housing into the mounting brackets as shown in **Figure 3**.

**STEP 4:**

Push up on the luminaire and then press in on the mounting bracket until the mounting bracket snaps into place. See **Figure 4**.

**STEP 5:**

Remove lens cover by unhooking the latches and set cover aside to reinstall later.

**STEP 6:**

Loosen [2] screws and carefully let the LED Tray hang down from hinges. See **Figure 5**.

**STEP 7:**

Insert customer supplied liquid tight conduit and liquid tight conduit fitting into desired conduit hole located on the end of the housing. The dimension of the conduit hole on the housing is 3/4" IP. Bring in customer supplied cord and make wiring connections per "**Electrical Connection**" section. See **Figure 1**.

**NOTE:** Insert supplied plug into unused conduit hole.

**STEP 8:**

Bring LED Tray back into housing and secure by tightening screws that were loosened in Step 5.

**STEP 9:**

Reattach lens cover removed in Step 5 and secure using latches.

**NOTE:** If using tamper proof screws (optional) insert screws into the [4] latches located on the corners of the housing before reattaching lens cover. See **Figure 6**.

**ELECTRICAL CONNECTIONS**

**STEP 1:**

Make the following Electrical Connections to the lever nuts:

- Connect the black luminaire lead to the line supply lead.
- Connect the white luminaire lead to the neutral supply lead.
- Connect the green/yellow luminaire lead to the supply ground lead.
- If dimming is used; connect the violet dimming positive lead to the supply dimming positive lead. If dimming is not being used, ensure to cap off the violet lead.
- If dimming is used; connect the grey dimming negative lead to the supply dimming negative lead. If dimming is not being used, ensure to cap off the grey lead.

