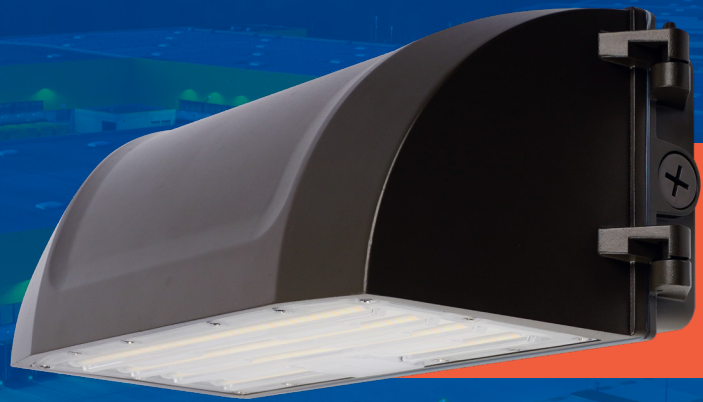




E-WRC SERIES

LED Cutoff Wall Pack
Replaces up to 250W MH



Easy Installation, Easy on the Wallet

Our UL listed savr™ E-WRC Series LED Cutoff Wall Pack allows you to select your color temperature based on your needs: 3000K, 4000K, or 5000K. It delivers up to 9600 lumens and features a fast and easy installation, with (4) 1/2-inch conduit knock outs. It's estimated to last over 100,000 hours of maintenance-free operation and comes with a 5-year warranty.

Features & Benefits

- CCT selectable options (3000K, 4000K or 5000K)
- Delivers up to 9600 lumens
- FCC Certified
- RoHS Compliant

Recommended Use

- Security
- Commercial
- Perimeter Lighting

Input Voltage

- Universal (120V through 277V Operation)

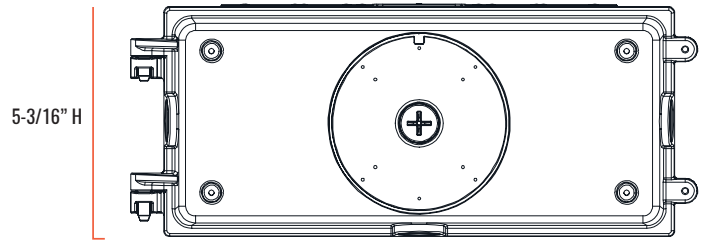
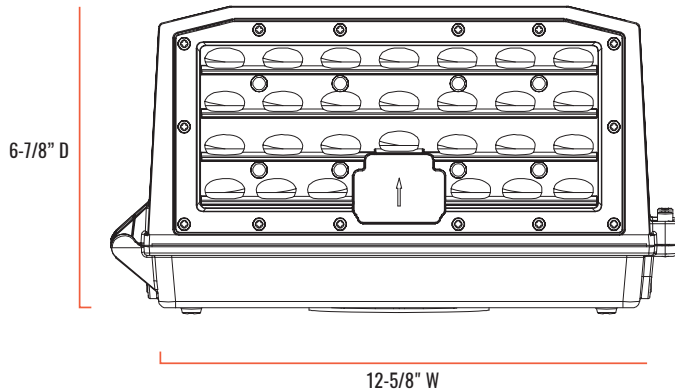
Certifications



WARNING: Cancer and Reproductive Harm -
www.p65warnings.ca.gov



E-WRC SERIES



SERIES OVERVIEW

DIMENSIONS	PRODUCT WEIGHT	MOUNTING HEIGHT	SPACING
12-5/8" W X 5-3/16" H X 6-7/8" D	E-WRC03: 4.76 lbs.	12-20 Feet	4 to 5 times the mounting height
	E-WRC05: 5.16 lbs.	12-20 Feet	4 to 5 times the mounting height
	E-WRC07: 5.42 lbs.	12-20 Feet	4 to 5 times the mounting height
	E-WRC10: 5.47 lbs.	12-20 Feet	4 to 5 times the mounting height

FIXTURE SPECIFICATIONS

HOUSING	Heavy duty die-cast aluminum housing with medium bronze powder coated finish for corrosion resistance.
LENS ASSEMBLY	High-quality, shatter-resistant polycarbonate lens.
MOUNTING	Easy installation with: (4) 1/2-inch conduit knock outs for flexibility with mounting options.

WARRANTY & CERTIFICATIONS

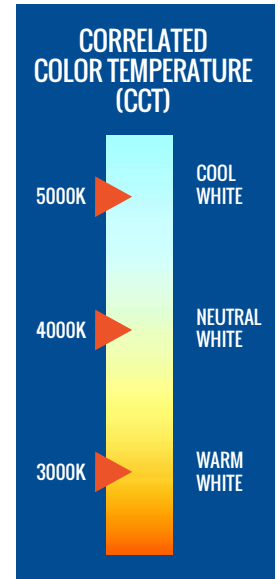
WARRANTY	5-Year Limited
cULus LISTED	Wet Locations
DLC	-

E-WRC SERIES

ELECTRICAL PERFORMANCE

OPERATING RANGE	LIFESPAN L70 AT 25°C (77°F)	POWER FACTOR	TOTAL HARMONIC DISTORTION	DIMMABLE
-40°F to 104°F (-40°C to 40°C)	Estimated >100,000 Hours	> 0.9	< 20%	Yes, 1-10V
(E-WRC07): -40°F to 95°F (-40°C to 35°C)				

INPUT VOLTAGE Current Draw (Amps)	120V	208V	240V	277V
E-WRC03A-F345BZ	0.257A	0.148A	0.128A	0.11A
E-WRC05A-F345BZ	0.367A	0.212A	0.183A	0.159A
E-WRC07A-F345BZ	0.55A	0.317A	0.275A	0.238A
E-WRC10A-F345BZ	0.73A	0.42A	0.367A	0.32A



OUTPUT SPECIFICATIONS

SKU	REPLACES	LIGHT OUTPUT	COLOR TEMP	POWER CONSUMPTION	COLOR ACCURACY
E-WRC03A-F345BZ	100W PSMH	up to 3600 Lumens	CCT Selectable: 3000K, 4000K or 5000K	28W	≥ 70
E-WRC05A-F345BZ	150W PSMH	up to 5100 Lumens	CCT Selectable: 3000K, 4000K or 5000K	40W	≥ 70
E-WRC07A-F345BZ	175W MH	up to 7300 Lumens	CCT Selectable: 3000K, 4000K or 5000K	60W	≥ 70
E-WRC10A-F345BZ	250W MH	up to 9600 Lumens	CCT Selectable: 3000K, 4000K or 5000K	80W	≥ 70

© 2021 Cree Lighting, a company of IDEAL INDUSTRIES. All rights reserved. For informational purposes only. Content is subject to change. The savr logo is a trademark of e-conolight, LLC. The cULus logo is a registered trademark of UL LLC.

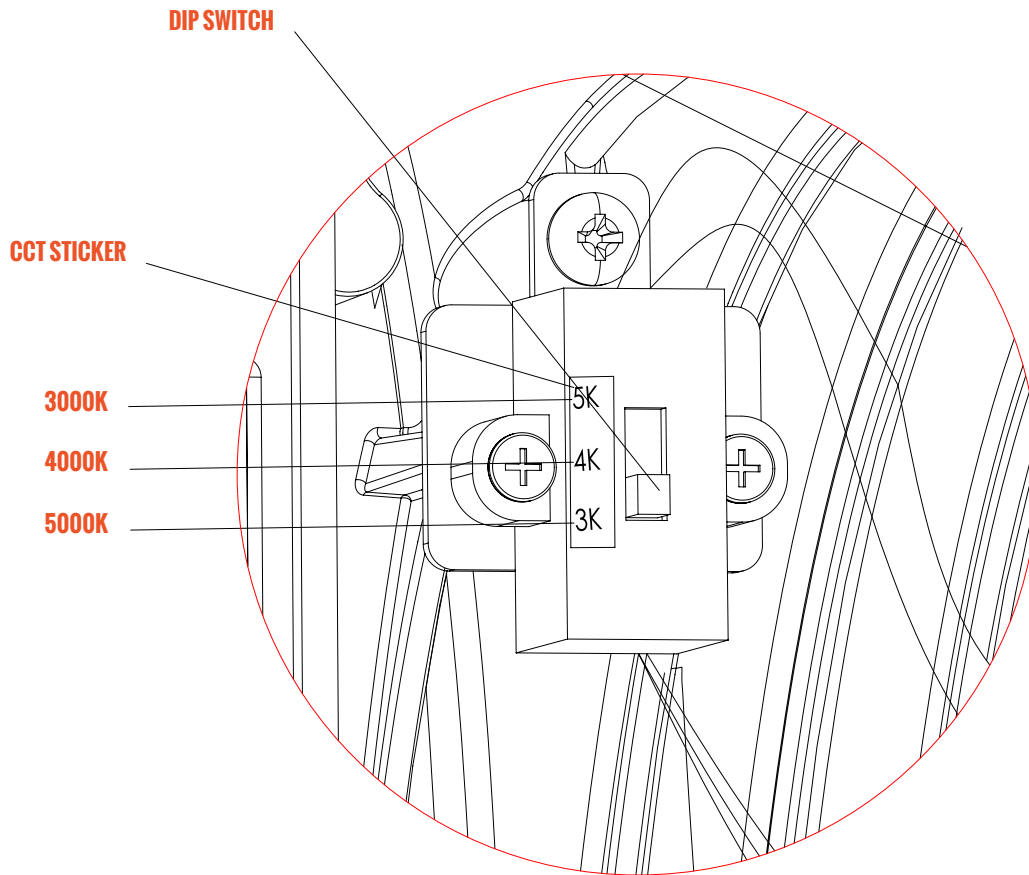
e-conolight /savr/ C-Lite:
e-conolight.com | Customer Service: 888-243-9445 | Fax: 262-504-5409
1501 96th Street, Sturtevant, WI 53177

Cree Lighting US / C-Lite Distribution Sales:
creelighting.com | Distribution/Sales: 855-617-2733
4401 Silicon Drive, Durham, NC 27703

E-WRC SERIES



SELECT YOUR COLOR TEMPERATURE (CCT) WITH THE FLIP OF A SWITCH:



ACCESSORIES (SOLD SEPARATELY)



UNIVERSAL BUTTON PHOTOCELL (120V-277V)

SKU: JL-423CZ

USE: Photocell is field installed and drilling of the back box is required.

© 2021 Cree Lighting, a company of IDEAL INDUSTRIES. All rights reserved. For informational purposes only. Content is subject to change. The savr logo is a trademark of e-conolight, LLC. The cULus logo is a registered trademark of UL LLC.

e-conolight /savr/ C-Lite:

e-conolight.com | Customer Service: 888-243-9445 | Fax: 262-504-5409
1501 96th Street, Sturtevant, WI 53177

Cree Lighting US/ C-Lite Distribution Sales:

creeighting.com | Distribution/Sales: 855-617-2733
4401 Silicon Drive, Durham, NC 27703

March 25, 2021

For informational purposes only. Content is subject to change.

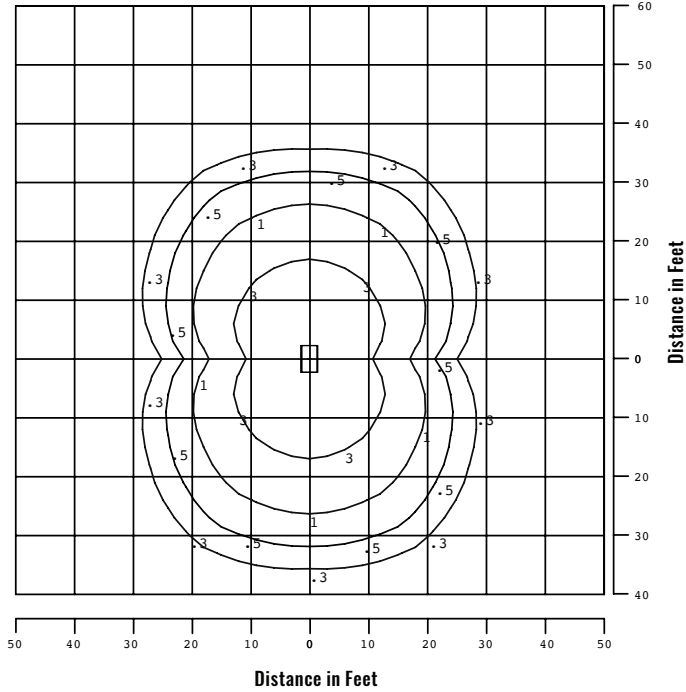


E-WRC SERIES



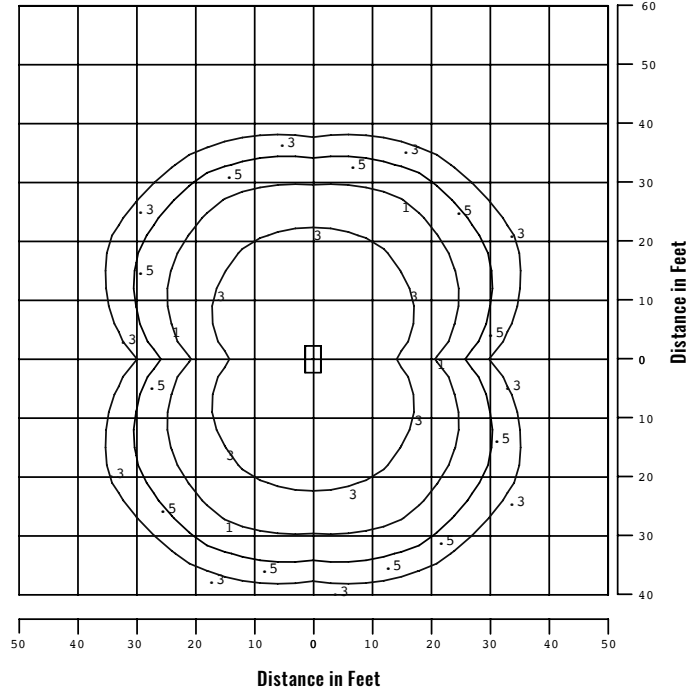
E-WRC05A

Mounting height: 15'



E-WRC10A

Mounting height: 15'



Note: All published photometric testing performed to IES LM-79-08 standards. Fixture photometry was completed on a single representative fixture. Foot candle levels are noted inside graph. Visit e-conolight.com for the latest EPA data.

© 2021 Cree Lighting, a company of IDEAL INDUSTRIES. All rights reserved. For informational purposes only. Content is subject to change. The savr logo is a trademark of e-conolight, LLC. The cULus logo is a registered trademark of UL LLC.

e-conolight /savr/ C-Lite:
e-conolight.com | Customer Service: 888-243-9445 | Fax: 262-504-5409
 1501 96th Street, Sturtevant, WI 53177

Cree Lighting US/ C-Lite Distribution Sales:
creelighting.com | Distribution/Sales: 855-617-2733
 4401 Silicon Drive, Durham, NC 27703

March 25, 2021

For informational purposes only. Content is subject to change.

