

## IMPORTANT SAFEGUARDS

When using electrical equipment, basic safety precautions should always be followed including the following:

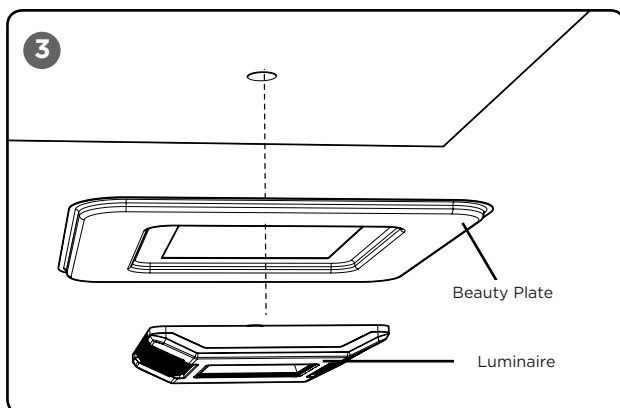
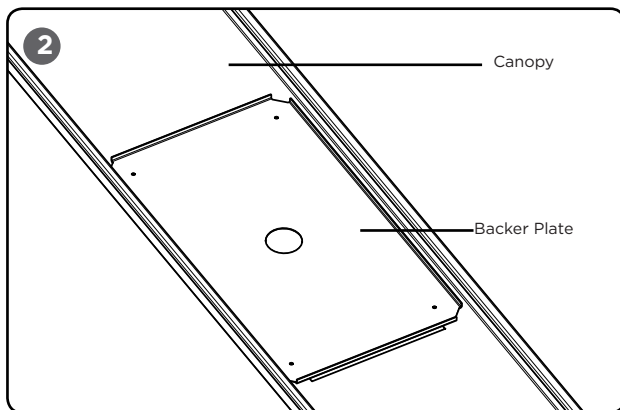
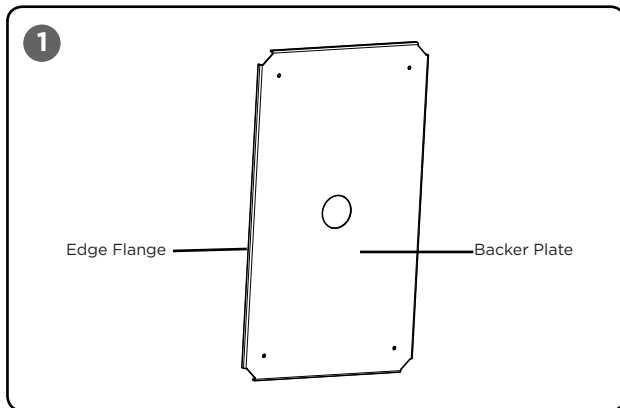
### READ AND FOLLOW ALL SAFETY INSTRUCTIONS

1. To reduce the risk of electrical shock, turn off power supply before installation or servicing.

### SAVE THESE INSTRUCTIONS FOR FUTURE REFERENCE

## INSTALLATION INSTRUCTIONS

### TO INSTALL:



### INSTALLING BEAUTY PLATE

**NOTE:** This kit is designed to accommodate single skin canopies with either 12" or 16" wide canopy panels and deck openings no larger than:

1. 10.75" x 15" for 12" wide panels
2. 12" x 15" for 16" wide panels

If the canopy that you have does not meet this criteria consult factory for other options.

#### STEP 1:

Remove existing luminaire from canopy surface.

#### STEP 2:

Clean both the top and bottom of the canopy surface. Remove old caulking and wash canopy surfaces.

#### STEP 3:

If necessary, modify cut-out in canopy to accommodate luminaire requirements. Center the opening between standing ribs in canopy.

#### STEP 4:

With the Edge Flange facing away from you apply silicone sealant (provided by others) around outside edge of the Backer Plate. See **Figure 1**.

#### STEP 5:

On top of the canopy - with Edge Flange facing upward, center the Backer Plate assembly over canopy opening and press plate assembly firmly into place See **Figure 2**.

#### STEP 6:

Secure filler plate assembly to canopy decking using supplied self drilling screws and sealing washers, through Backer Plate holes. Drive screws from top-side of canopy downward.

#### STEP 7:

Place Beauty Plate over luminaire. Secure luminaire to canopy referencing luminaire installation sheet. See **Figure 3**.