



## E-WRTxxB SERIES

LED Traditional Style Wall Pack  
Replaces Up to 400W PSMH



### Raise Security, Lower Costs

Our cULus Listed savr™ LED Traditional Style Wall Pack delivers up to 22,700 lumens and features a UV stabilized prismatic polycarbonate lens. (4) 1/2-inch NPS tapped conduit knock outs allow for maximum flexibility, with multiple mounting options. It's estimated to last over 100,000 hours and comes with a 5-year warranty.

### Features & Benefits

- UV Stabilized, Prismatic Polycarbonate Lens
- Available for surface mount or j-box mount
- Up to 135 LPW
- Comes with 4kV surge protection
- Easy to install button photocell (Optional. Sold separately as an accessory)
- FCC and ICES Certified

### Recommended Use

- Security
- Building Entrances
- Building Perimeter

### Input Voltage

- Universal (120V through 277V Operation)

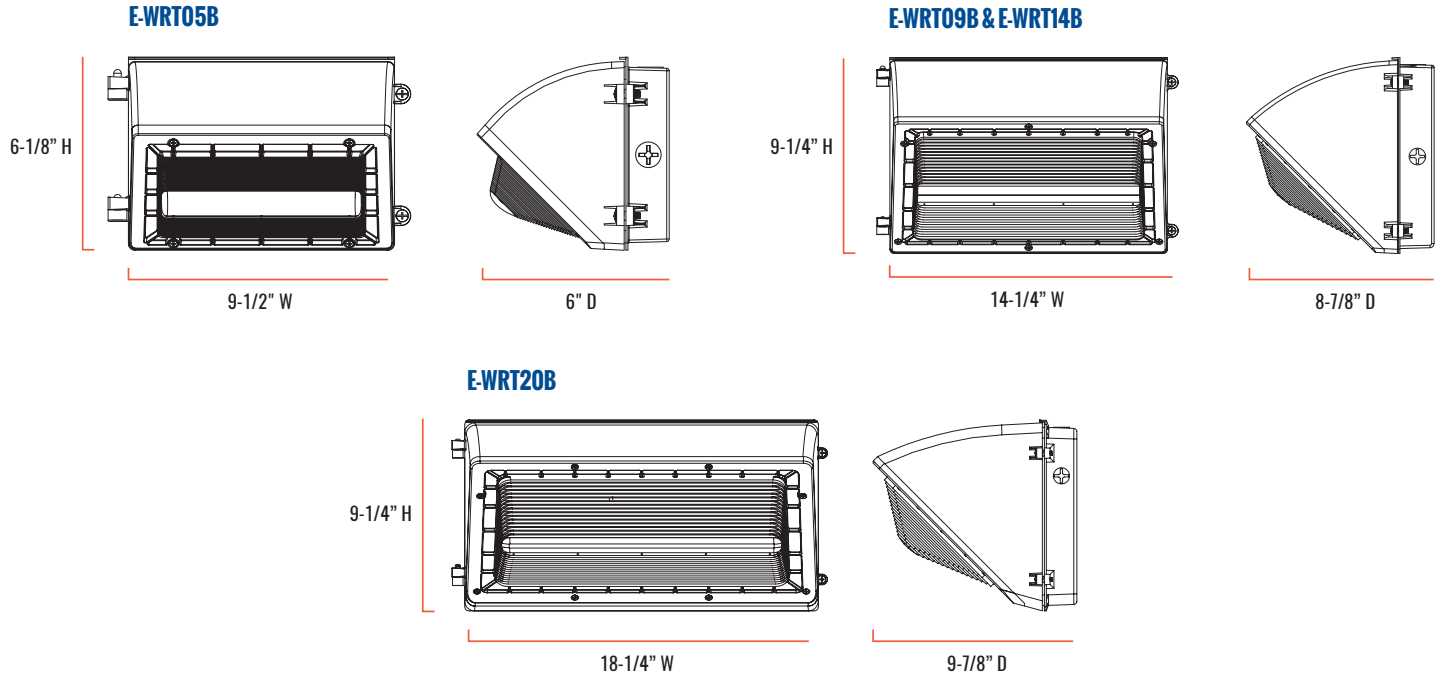
### Certifications



 **WARNING:** Cancer and Reproductive Harm - [www.p65warnings.ca.gov](http://www.p65warnings.ca.gov)



## E-WRTxxB SERIES



### SERIES OVERVIEW

DIMENSIONS	PRODUCT WEIGHT	MOUNTING HEIGHT	SPACING
<b>E-WRT05B:</b> 9-1/2" W X 6-1/8" H X 6" D	2.64 lbs.	8-20 Feet	2-3 times the mounting height
<b>E-WRT09B:</b> 14-1/4" W X 9-1/4" H X 8-7/8" D	6.6 lbs.	12-25 Feet	2-3 times the mounting height
<b>E-WRT14B:</b> 14-1/4" W X 9-1/4" H X 8-7/8" D	7.26 lbs.	12-25 Feet	2-3 times the mounting height
<b>E-WRT20B:</b> 18-1/4" W X 9-1/4" H X 9-7/8" D	11.96 lbs.	15-30 Feet	2-3 times the mounting height

### FIXTURE SPECIFICATIONS

<b>HOUSING</b>	Durable die-cast aluminum housing with dark bronze polyester powder-coat finish
<b>LENS ASSEMBLY</b>	UV stabilized, prismatic polycarbonate lens
<b>MOUNTING</b>	Easy installation with: (4) 1/2-inch NPS tapped conduit knock outs for flexibility with mounting options

### WARRANTY & CERTIFICATIONS

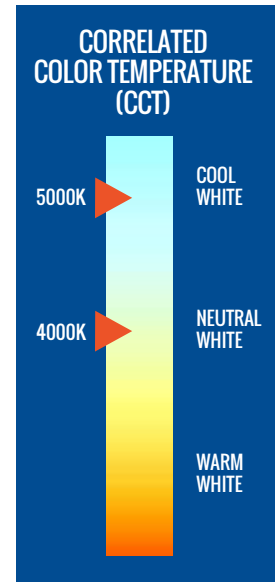
<b>WARRANTY</b>	5-Year Limited
<b>cULus LISTED</b>	Wet Locations
<b>DLC</b>	Standard

## E-WRTxxB SERIES

### ELECTRICAL PERFORMANCE

OPERATING TEMPERATURE RANGE	LIFESPAN L70 AT 25°C (77°F)	POWER FACTOR	TOTAL HARMONIC DISTORTION	DIMMABLE
-40°F to 104°F (-40°C to 40°C)	Estimated >100,000 Hours	> 0.9	< 20%	No

INPUT VOLTAGE Current Draw (Amps)	120V	208V	240V	277V
E-WRT05B	0.39A	0.24A	0.21A	0.19A
E-WRT09B	0.60A	0.35A	0.31A	0.29A
E-WRT14B	0.98A	0.56A	0.49A	0.44A
E-WRT20B	1.46A	0.84A	0.74A	0.65A



### OUTPUT SPECIFICATIONS

SKU	REPLACES	LIGHT OUTPUT	COLOR TEMP	POWER CONSUMPTION	COLOR ACCURACY
E-WRT20B-N50Z	400W PSMH	22700 Lumens	5000K	170W	≥ 70
E-WRT20B-N40Z	400W PSMH	21900 Lumens	4000K	170W	≥ 70
E-WRT14B-N50Z	320W PSMH	14950 Lumens	5000K	112W	≥ 70
E-WRT14B-N40Z	320W PSMH	14900 Lumens	4000K	112W	≥ 70
E-WRT09B-N50Z	250W MH	9700 Lumens	5000K	70W	≥ 70
E-WRT09B-N40Z	250W MH	9500 Lumens	4000K	70W	≥ 70
E-WRT05B-N50Z	150W PSMH	5900 Lumens	5000K	46W	≥ 70
E-WRT05B-N40Z	150W PSMH	5900 Lumens	4000K	46W	≥ 70

© 2020 Cree Lighting, a company of IDEAL INDUSTRIES. All rights reserved. For informational purposes only. Content is subject to change. The savr logo is a trademark of e-conolight, LLC. The cULus logo is a registered trademark of UL LLC. The DLC QPL logo and the DLC QPL Premium logo are registered trademarks of Northeast Efficiency Partnerships, Inc.

**e-conolight/savr/C-Lite:**  
e-conolight.com | Customer Service: 888-243-9445 | Fax: 262-504-5409  
1501 96th Street, Sturtevant, WI 53177

**Cree Lighting US / C-Lite Distribution Sales:**  
creelighting.com | Distribution/Sales: 855-617-2733  
4401 Silicon Drive, Durham, NC 27703

## E-WRTxxB SERIES



### ACCESSORIES (SOLD SEPARATELY)



Universal Button Photocell (120V-277V)

**SKU: JL-423CZ**

**USE:** Photocell is field installed and drilling of the back box is required. Not for use with E-WRT05 series.

© 2020 Cree Lighting, a company of IDEAL INDUSTRIES. All rights reserved. For informational purposes only. Content is subject to change. The savr logo is a trademark of e-conolight, LLC. The cULus logo is a registered trademark of UL LLC. The DLC QPL logo and the DLC QPL Premium logo are registered trademarks of Northeast Efficiency Partnerships, Inc.

**e-conolight /savr/ C-Lite:**

e-conolight.com | Customer Service: 888-243-9445 | Fax: 262-504-5409  
1501 96th Street, Sturtevant, WI 53177

**Cree Lighting US/ C-Lite Distribution Sales:**

creeighting.com | Distribution/Sales: 855-617-2733  
4401 Silicon Drive, Durham, NC 27703

October 20, 2020

For informational purposes only. Content is subject to change.

