



E-WPS SERIES

LED Slim Wall Pack
Replaces Up To 250W MH



Security In An Affordable Box

An affordable option for increasing security at building entrances and around perimeters, our savr E-WPS Series LED Slim Wall Pack delivers up to 8900 lumens. It features a cULus listing, >80 CRI, and a 5-year warranty. Available in 4000K and 5000K.

Features & Benefits

- Sealed, die-cast aluminum housing is weather-proof to prevent the intrusion of dust and water
- Knockouts provided on both sides and bottom for ease of installation
- Slim design offers a sleek and architectural look

Recommended Use

- Security
- Building Entrances
- Perimeter Lighting

Input Voltage

- Universal (120V through 277V Operation)

Certifications

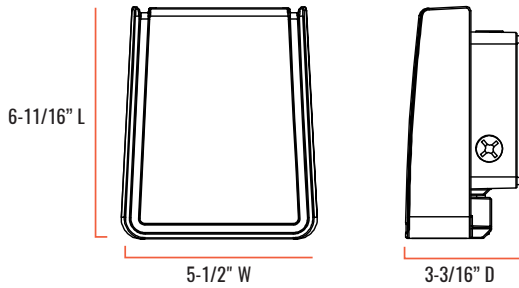


WARNING: Cancer and Reproductive Harm -
www.p65warnings.ca.gov

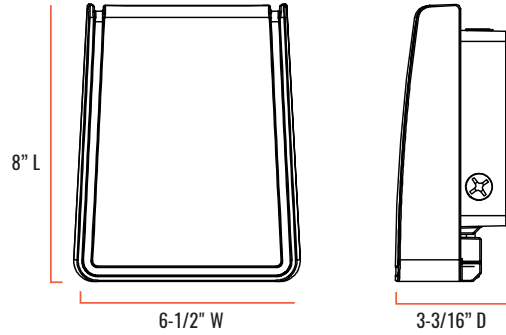


E-WPS SERIES

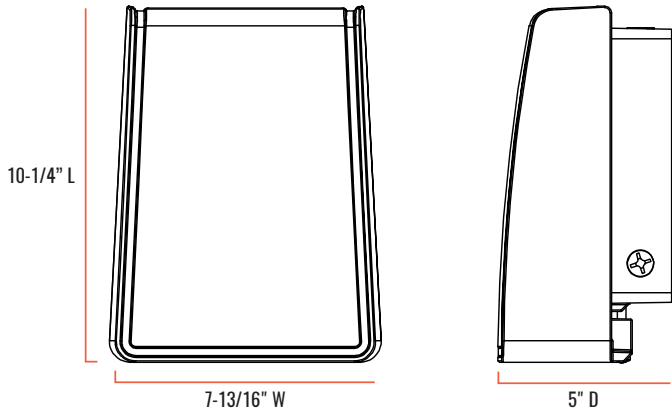
E-WPS01



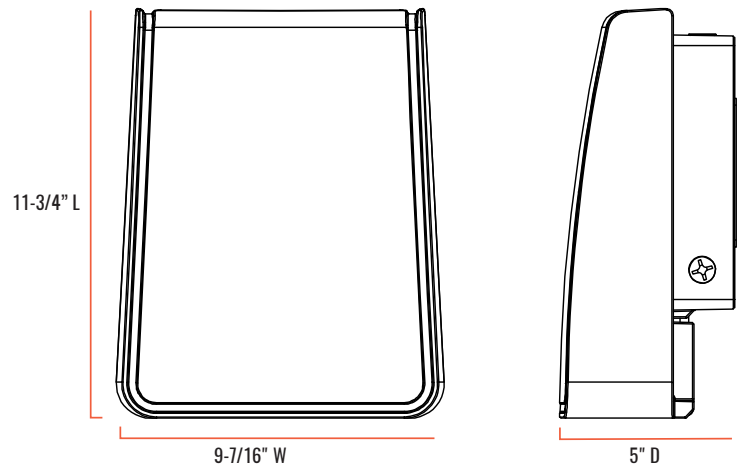
E-WPS03



E-WPS05



E-WPS08



SERIES OVERVIEW

DIMENSIONS	PRODUCT WEIGHT	MOUNTING HEIGHT	SPACING
E-WPS01: 6-11/16" L X 5-1/2" W X 3-3/16" D	2.31 lbs.	8-20 Feet	4 to 5 times the mounting height
E-WPS03: 8" L X 6-1/2" W X 3-3/16" D	2.97 lbs.	8-20 Feet	4 to 5 times the mounting height
E-WPS05: 10-1/4" L X 7-13/16" W X 5" D	5.25 lbs.	8-20 Feet	4 to 5 times the mounting height
E-WPS08: 11-3/4" L X 9-7/16" W X 5" D	8.25 lbs.	8-25 Feet	4 to 5 times the mounting height

FIXTURE SPECIFICATIONS

HOUSING	Durable, die-cast aluminum
LENS ASSEMBLY	UV stabilized polycarbonate lens
MOUNTING	Mounts to standard 4-inch junction box. Knockouts provided on both sides and bottom for surface conduit wiring.

WARRANTY & CERTIFICATIONS

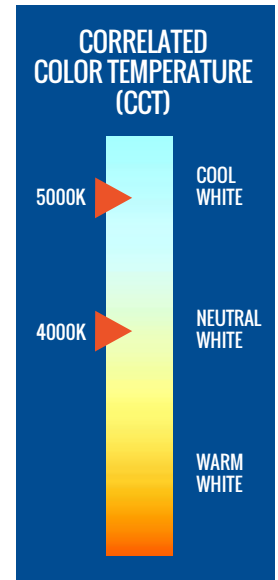
WARRANTY	5-Year Limited
cULus LISTED	cULus Listed
DLC	-

E-WPS SERIES

ELECTRICAL PERFORMANCE

OPERATING RANGE	LIFESPAN L70 AT 25°C (77°F)	POWER FACTOR	TOTAL HARMONIC DISTORTION	DIMMABLE
-40°F to 104°F (-40°C to 40°C)	Estimated >50,000 Hours	> 0.9	< 20%	No

INPUT VOLTAGE Current Draw (Amps)	120V	208V	240V	277V
E-WPS01	0.13A	0.08A	0.07A	0.06A
E-WPS03	0.25A	0.14A	0.12A	0.11A
E-WPS05	0.44A	0.25A	0.22A	0.2A
E-WPS08	0.68A	0.39A	0.33A	0.31A



OUTPUT SPECIFICATIONS

SKU	REPLACES	LIGHT OUTPUT	COLOR TEMP	POWER CONSUMPTION	COLOR ACCURACY	DLC
E-WPS01A-N40B	50W MH	1700 Lumens	4000K	15W	≈ 80	-
E-WPS01A-N50B	50W MH	1700 Lumens	5000K	15W	≈ 80	-
E-WPS03A-N40B	100W PSMH	3300 Lumens	4000K	28W	≈ 80	-
E-WPS03A-N50B	100W PSMH	3300 Lumens	5000K	28W	≈ 80	-
E-WPS05A-N40B	150W PSMH	5500 Lumens	4000K	50W	≈ 80	-
E-WPS05A-N50B	150W PSMH	5500 Lumens	5000K	50W	≈ 80	-
E-WPS08A-N40B	250W MH	8900 Lumens	4000K	80W	≈ 80	-
E-WPS08A-N50B	250W MH	8900 Lumens	5000K	80W	≈ 80	-

Cree Lighting, a company of IDEAL INDUSTRIES. All rights reserved. For informational purposes only. Content is subject to change. The cULus logo is a registered trademark of UL LLC.

e-conolight /savr/ C-Lite:
e-conolight.com | Customer Service: 888-243-9445 | Fax: 262-504-5409
1501 96th Street, Sturtevant, WI 53177

Cree Lighting US / C-Lite Distribution Sales:
creelighting.com | Distribution/Sales: 855-617-2733
4401 Silicon Drive, Durham, NC 27703

July 16, 2020 8:32 AM For informational purposes only. Content is subject to change.

