

Cree® KR Series

LED Specification Grade Downlight



SMART LIGHT THAT'S BEAUTIFUL AT EVEN GREATER HEIGHTS

Exceptional Light Quality

The KR Series surpasses traditional lighting technology with optimal coloring rendering at 90+ CRI, superior light distribution, and unparalleled lifetime color consistency. The KR8™ downlight, featuring Cree WaveMax™ Technology, brings the beautiful light quality of the KR Series to even greater heights —up to 40 feet.

Total Flexibility

True design freedom with beautiful aesthetics and a variety of choices, including 4, 6, and 8-inch apertures, round and square trims and multiple lumen packages. A number of control options including Cree SmartCast® Technology or Sunset Dimming Technology with 4 and 6 inch fixtures, 0-10V dimming with all models, and beam control to 15 degrees with the 8-inch option, enable energy efficient, code-compliant spaces.

Unbeatable Efficiency

Engineered for efficiency with up to 77 LPW, the KR Series offers more than double the efficacy of CFLs and up to five times the longevity.

Intelligence By Design

The KR Series downlight with SmartCast® Technology, Cree's intelligent light solution, provides a combination of extreme energy productivity and a more personalized light experience that's so intuitive and simple, it just works.

CREE  TM


SPECIFICATION DESIGN, UNBEATABLE VERSATILITY.

The KR Series 4-inch and 6-inch LED specification downlights deliver up to 5625 lumens of beautiful, high-quality light with superior efficacy. With multiple lumen packages, trim options, color temperatures, out-of-the-box dimming options including 0/10V, Triac, Cree SmartCast® Technology, the KR Series is an ideal solution for any new construction downlight application.

The KR8™ downlight with Cree TrueWhite® Technology offers 6000 and 8000 lumen packages to accommodate high-ceiling applications and its dual-optic lens with Cree WaveMax™ Technology provides very efficient light control.

PERFORMANCE SUMMARY
Utilizes Cree SmartCast® Technology (KR4™ and KR6™ downlights only)
Utilizes Cree WaveMax™ Technology (KR8™ downlight only)
Utilizes Cree TrueWhite® Technology
Delivered Light Output* KR4™ and KR6™: 655 to 5625 Lumens KR8™: 6000,8000 Lumens
Input Power: KR4™ and KR6™: 9L: 13W, 13L: 18W, 20L: 30W, 30L: 39W, 40L: 44W; 60L: 87W KR8™: 60L: 78W, 80L: 118W
CRI: 90+
CCT: KR4™ and KR6™: 2700K, 3000K, 3500K or 4000K KR8™: 3000K, 3500K or 4000K
Input Voltage: KR4™ and KR6™: 120V, 277V, 347V KR8™: 120V-277V
Emergency Performance:** Up to 1210 lumens; 10W (KR4™ and KR6™ only)
Controls*** KR4™ and KR6™: 5% Triac Dimming or Cree SmartCast® Technology, 10% 0/1-10V Dimming KR8™: 1% 0/1-10V Dimming
Lifetime: Designed to Last 100,000 Hours @ L70
Limited Warranty†: 10 Years (Fixture); 5 Years (with SmartCast® Technology module); 1 Year (Emergency Battery)

CREE LED LIGHTING TECHNOLOGY

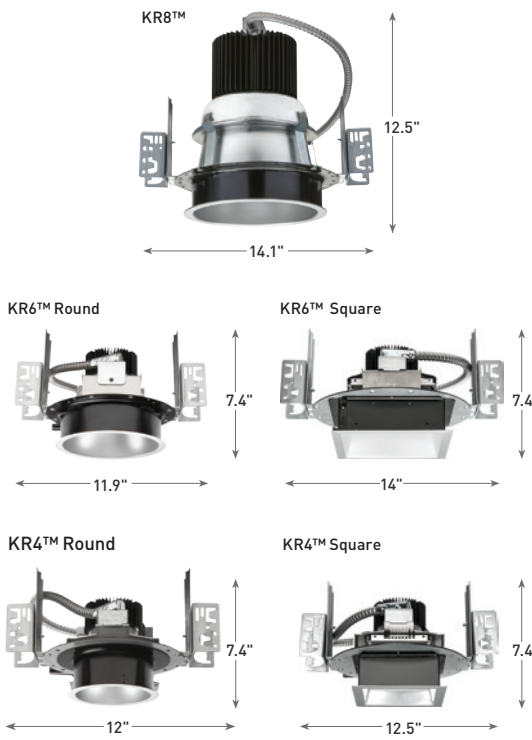


Cree SmartCast® Technology is the most intuitive and easiest to install intelligent light solution on the market. SmartCast Technology delivers up to 70% energy savings at up to half the cost of other solutions.

Cree WaveMax™ Technology delivers superior value and performance resulting in an unmatched user experience by distributing visually comfortable high quality light with unmatched uniformity, efficiency, control and appeal.

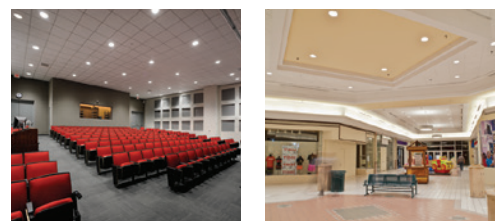
Cree TrueWhite® Technology delivers an exclusive combination of industry-leading efficacy (up to 150 lumens per watt) and 90+ CRI to lighting applications. Featuring high R9 values, spaces are brighter and colors are more vivid under beautiful white light - all while offering significant energy savings compared to traditional technologies.

DIMENSIONS



APPLICATIONS

Standard and High Ceiling Applications: Airports, municipal, school & university, corporate campus, restaurant & hospitality, retail & grocery, government, petroleum



* Delivered lumen output is typical when using a SSGC type reflector. See Application Performance Table under Photometry for more detail.

** Provides code-compliant emergency backup for at least 90 minutes.

*** 5% Triac standard on 9L and 13L; 10% 0/1-10V Dimming available on all models; Sunset Dimming 9L and 13L 5% Triac only; 277V 0/10V standard on all models.

† See lighting.cree.com/warranty for warranty terms. Product specifications subject to change at any time. Visit lighting.cree.com to find the most up-to-date information and for recommended dimming control options.

Visit lighting.cree.com or contact a Cree lighting representative to learn more.

info@cree.com | 800.236.6800

