

### IMPORTANT SAFEGUARDS

INSTALLATION INSTRUCTIONS  
INSTRUCTIONS D'INSTALLATION

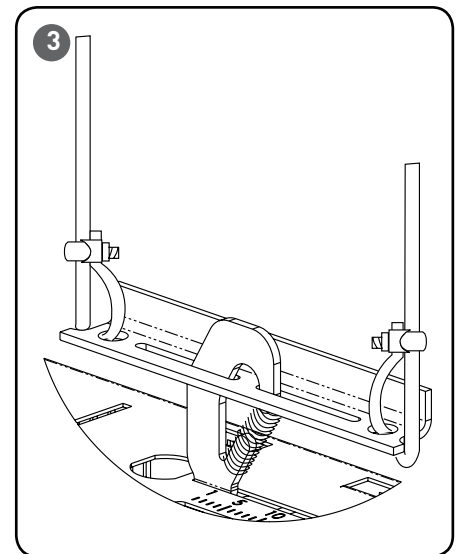
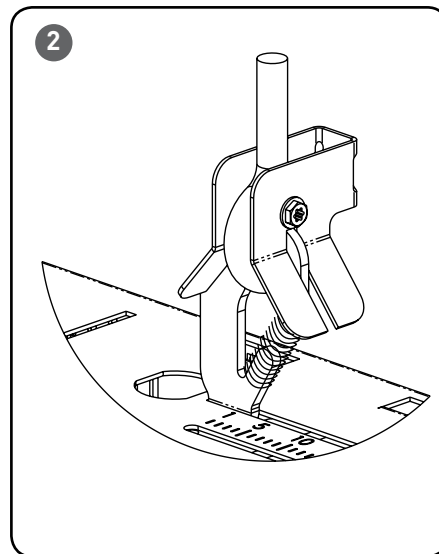
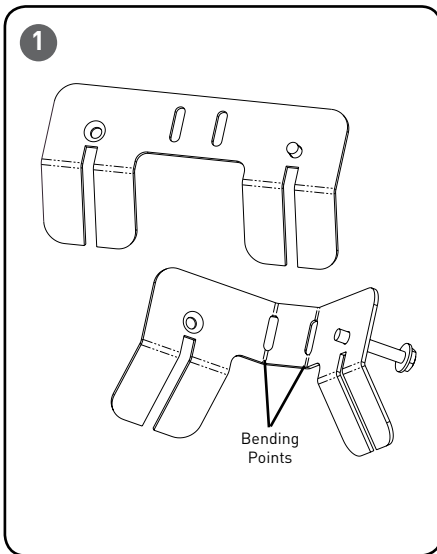
When using electrical equipment, basic safety precautions should always be followed including the following:

### READ AND FOLLOW ALL SAFETY INSTRUCTIONS

1. **IMPORTANT!** – Observe label on the end of ballast module for proper orientation in aisle way.

### SAVE THESE INSTRUCTIONS FOR FUTURE REFERENCE

#### TO INSTALL:



#### STEADY-LOCK (EYE HANGER) HOOK, CORD, PLUG MOUNTING

**NOTE:** Observe label on the end of ballast module for proper orientation in aisle way.

**STEP 1:**

Push down on retainer spring until top of spring is free of fixture hook.

**STEP 2:**

Slide hook into securely mounted eye hanger making sure that the fixture orientation is correct.

**STEP 3:**

Bend Steady-Lock as seen in **Figure 1**.

**STEP 4:**

Place Steady-Lock on hook and eye hanger and tighten screw. See **Figure 2**.

**STEP 5:**

Verify that fixture orientation is correct and return retaining spring to fixture hook.

**STEP 6:**

Insert twist-lock plug provided into matching receptacle.

#### STEADY-LOCK (CABLE) HOOK, CORD, PLUG MOUNTING

**NOTE:** Observe label on the end of ballast module for proper orientation in aisle way.

**STEP 1:**

Attach cable or chain (rated for 250 lbs) to appropriate structure in building making sure that cables or chain is parallel or slightly angled out with respect to the other cable or chain. See **Figure 3**.

**STEP 2:**

Attach other end of cable to Steady-Lock bracket using an appropriate method.

**STEP 3:**

Push down on retainer spring until top of spring is free of fixture hook.

**STEP 4:**

Slide hook into securely mounted Steady-lock bracket making sure that the fixture orientation is correct.

**STEP 5:**

Return retaining spring to fixture hook.

**STEP 6:**

Insert twist-lock plug provided into matching receptacle.