

INSTALLATION INSTRUCTIONS

IMPORTANT SAFEGUARDS

When using electrical equipment, basic safety precautions should always be followed including the following:

READ AND FOLLOW ALL SAFETY INSTRUCTIONS

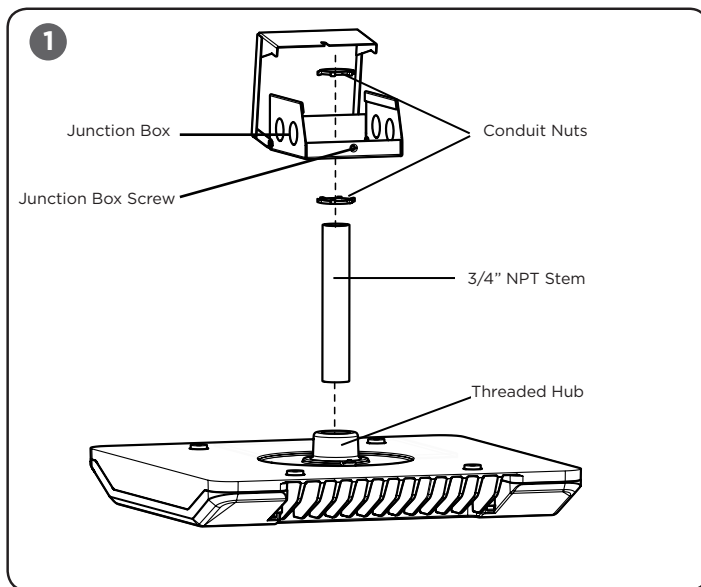
1. To reduce the risk of electrical shock, turn off power supply before installation or servicing.

SAVE THESE INSTRUCTIONS FOR FUTURE REFERENCE

KIT INCLUDES:

- (1) Junction Box
- (1) 3/4" NPT Stem
- (2) Conduit Nuts

TO INSTALL:



STEP 1:

Feed the luminaire leads through the NPT Stem and attach NPT Stem to luminaire by threading the stem into the threaded hub. See **Figure 1**.

STEP 2:

Assemble the junction box to the 3/4" NPT Stem by placing one of the conduit nut onto stem. See **Figure 1**.

STEP 3:

Loosen, do not remove, junction box screw and flip junction box cover up. Place the junction box onto the stem.

STEP 4:

Place the second conduit nut on to the stem from inside the junction box and tighten the nut. See **Figure 1**.

STEP 5:

Reference luminaire installation instructions for making electrical connections. See **Figure 1**.