

IMPORTANT SAFEGUARDS

When using electrical equipment, basic safety precautions should always be followed including the following:

READ AND FOLLOW ALL SAFETY INSTRUCTIONS

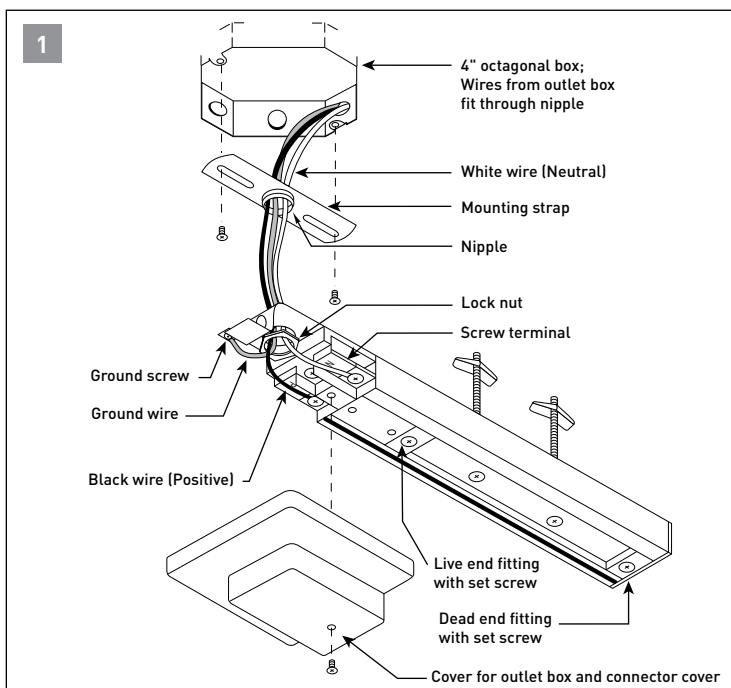
1. Essentia® by Cree Track fixtures are UL® Classified for use with Essentia by Cree “CT” track systems, and Juno® (not affiliated with Essentia by Cree) “T” and “TU” Series track systems only.
2. To avoid the possibility of electrical shock, turn off power supply before installation or servicing.
3. Track not intended to be connected with power cord or to more than one branch circuit unless it is constructed so that it can be used with more than one circuit. Check with a qualified electrician. Although the track system may appear to operate acceptably, a dangerous overload of the neutral may occur and result in a risk of fire.

SAVE THESE INSTRUCTIONS FOR FUTURE REFERENCE

NOTES:

1. Please read all of these installation instructions before installing any part of the Track System.
2. Save these instructions and refer to them when additions to or changes in the track configuration are made.
3. Use only fixtures and fittings intended for use with Essentia by Cree One Circuit Track and Connectors.
4. The one circuit track system has a maximum capacity of 20 amps or 2400 total watts when permanently wired to an outlet box.
5. Do not attempt to energize anything other than lighting track fixtures on the track. To reduce the risk of fire and electric shock, do not attempt to connect power tools, extension cords, appliances, and the like to the track.
6. Track light assembly must be installed a minimum of 6 inches distance from any combustible surface or material, such as wall coverings or curtains.
7. Track is not to be installed in wet or damp locations.
8. Track system must be installed a minimum of 5 feet above floor.

INSTALLATION TRACK SECTION



STEP 1

- Secure mounting strap to outlet box. For adjustable, “T” and “X” connectors, a S-CT-OUTLET-BOX-CVR* Cover Plate is required. If removal of a knockout is required, remove it at this time

STEP 2

- Make sure end cap at opposite end of track is secured & butted against a surface. Slide feed connector into end of Track, by aligning polarity arrow on connector with polarity groove in track; secure with the set screws provided. Using toggle bolts or screws provided, attach Track to ceiling. Secure feed connector (to outlet box, if applicable).

STEP 3

- **Adding New Connector:** If adding additional sections to existing track, remove end cap from existing track. Slide new connector into open end of existing track and tap with rubber mallet to secure proper fit.

STEP 4

- **Adding New Track:** Secure end cap into non-connecting end of new track. Slide new track into new connector and tap with rubber mallet for proper fit with no gap. Secure to ceiling according to instructions above.

STEP 5

- If T-bar ceiling, use T-bar clips (order separately). Maximum distance between clips is two (2) feet.

INSTALLING WIRING TRACK SECTION

STEP 1

- Run wire through outlet box, mounting strap and connector.

STEP 2

- Connect positive wire (black) to the screw terminal marked P.

STEP 3

- Connect the neutral wire (white) to the screw terminal marked N.

STEP 6

- If track is to be pendant mounted, maximum pendant spacing is four feet; minimum two pendants per track section.

STEP 4

- Connect ground wire.

STEP 5

- See specific track fixture Installation Instructions for installation of track fixtures onto track.

STEP 6

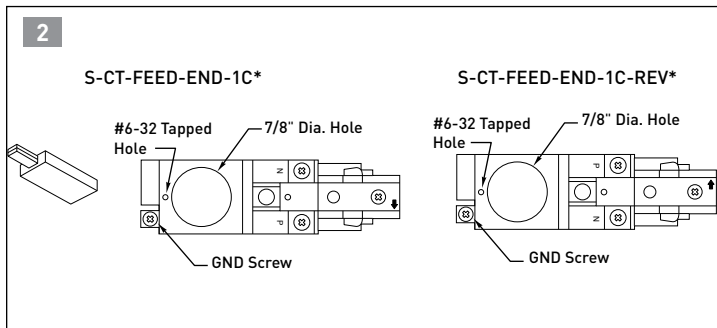
- Track Rated at 120V, 60 Hz, 20 Amps.

WIRING CONNECTORS

STEP 1

- Connectors are factory wired for correct polarity. Wiring patterns can be changed easily in the field by merely shifting jumper positions or eliminating wires. When replacing or rewiring, be sure to maintain correct polarity.

POWER FEEDS

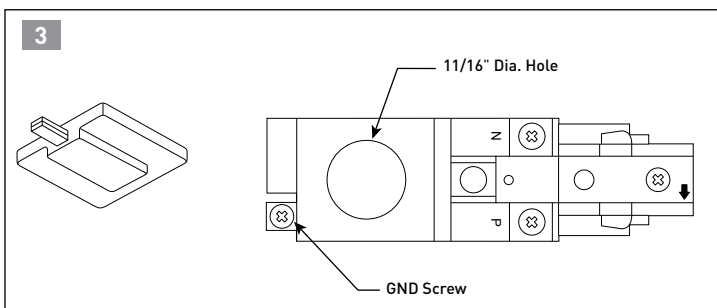


END FEED CATALOG # S-CT-FEED-END-1C*/S-CT-FEED-END-1C-REV*

- Allows feed from above with Romex, Greenfield or conduit. Use as end feed when track is suspended with pendants. S-CT-FEED-END-1C-REV* provides opposite polarity. See **Figure 2**.

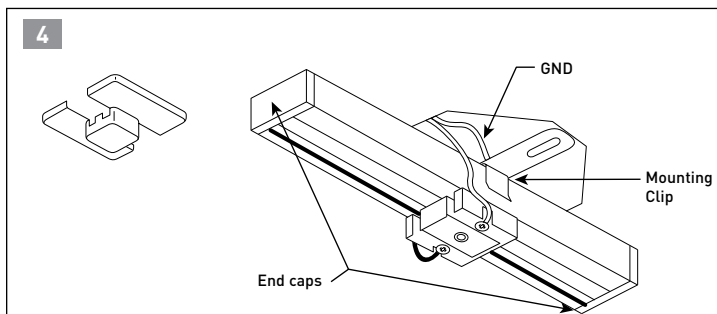
OUTLET BOX FEED CATALOG # S-CT-FEED-OUTLET-BOX-1C*

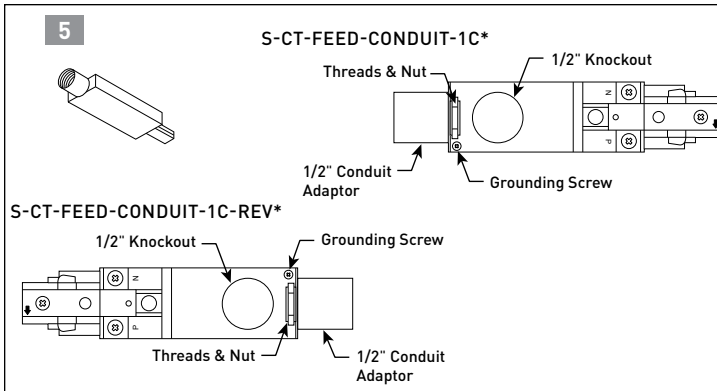
- End feed with outlet box cover, mounting strap and 3/8" I.P. nipple. See **Figure 3**.



FLOATING FEED CATALOG # S-CT-FEED-FLOATING-1C*

- Mounts to outlet box to feed power at any point on track. See **Figure 4**.



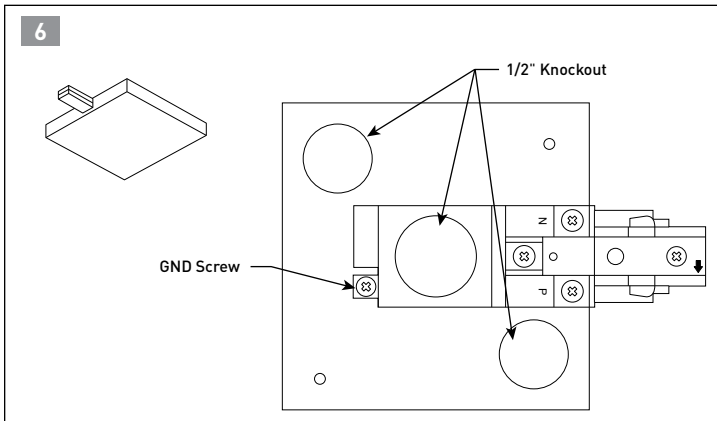


CONDUIT FEED CATALOG #
S-CT-FEED-CONDUIT-1C*/S-CT-FEED-CONDUIT-1C-REV*

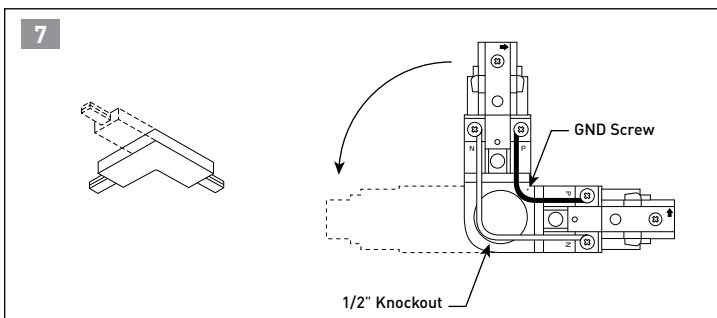
- Accepts 1/2" conduit for surface wiring. S-CT-FEED-CONDUIT-1C-REV* provides opposite polarity for conduit continuation. If using plastic conduit, installer should strip ground wire, wrap stripped portion around threads inside Conduit Feed and tighten with nut provided. See **Figure 5**.

T-BAR END FEED CATALOG # S-CT-FEED-TBAR-END-1C*

- End feed for T-Bar mounted track. 1/2" knockouts.. See **Figure 6**.



COMBINATION FEEDS & JOINERS

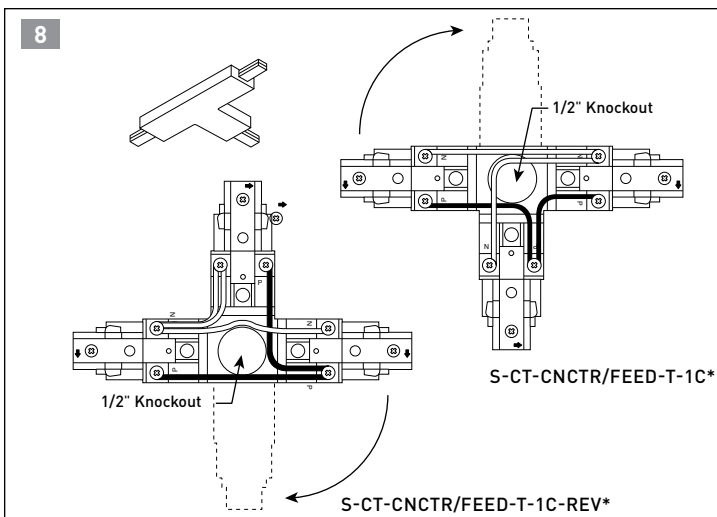


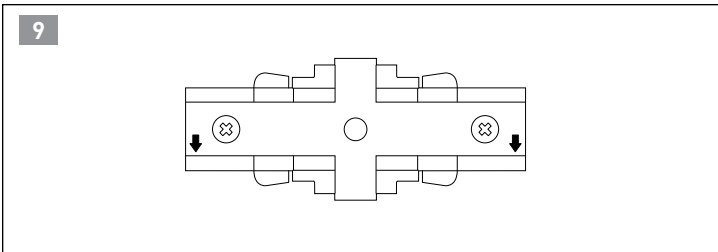
ADJUSTABLE CONNECTOR
CATALOG # S-CT-CNCTR/FEED-ADJ-1C*

- Adjusts to connect two track sections either at a 90° angle or a straight run. Includes covers for both possibilities. See **Figure 7**.

"T" CONNECTOR CATALOG # S-CT-CNCTR/FEED-T-1C*/
S-CT-CNCTR/FEED-T-1C-REV*

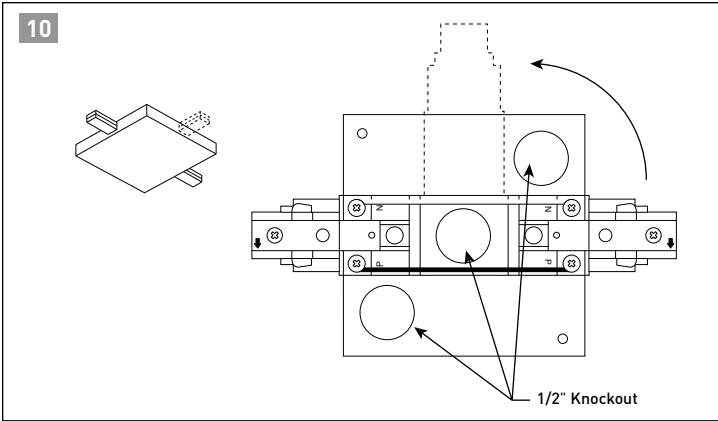
- Joins three track sections. S-CT-CNCTR/FEED-T-1C-REV* provides opposite polarity. See **Figure 8**.





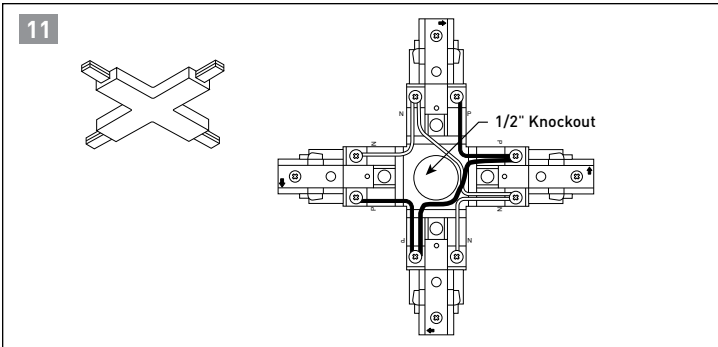
MINI CONNECTOR
CATALOG # S-CT-CNCTR-M-STRGHT-1C*

- Joins two track sections. See **Figure 9**.



T-BAR ADJUSTABLE CONNECTOR
CATALOG # S-CT-CNCTR-TBAR-ADJ-1C*

- Adjustable connector for T-Bar mounted track. Joins two track sections for either 90° angle or straight run. See **Figure 10**.



"X" CONNECTOR CATALOG # S-CT-CNCTR/FEED-X-1C*

- Joins up to four track sections. See **Figure 11**.

CUTTING TRACK IN THE FIELD

Step 1.
Remove dead end fitting and pull copper conductors until flush with end of track that will be cut.

Step 2.
Cut to desired length, allowing 1/8" for dead end fitting. Note: remove the burrs after cutting.

Step 3.
Push copper conductors back into the track. Copper conductors should be 5/16" - 3/8" Recessed from each end of the track.

Step 4.
Reinstall dead end fitting After conductors are cut and tighten screw.

Drilling Instructions:

1. Drill additional mounting holes in cut sections, if necessary. When a new mounting hole is required in a piece of track, it must be placed in the center of the insulator no closer than 2" nor farther than 6" from the end of the track.
2. Locate and drill a 1/4" diameter hole through the track and insulator. Carefully de-burr the hole and make sure that there are no chips or filings that remain in the track.