

IMPORTANT SAFEGUARDS

When using electrical equipment, basic safety precautions should always be followed including the following:

READ AND FOLLOW ALL SAFETY INSTRUCTIONS

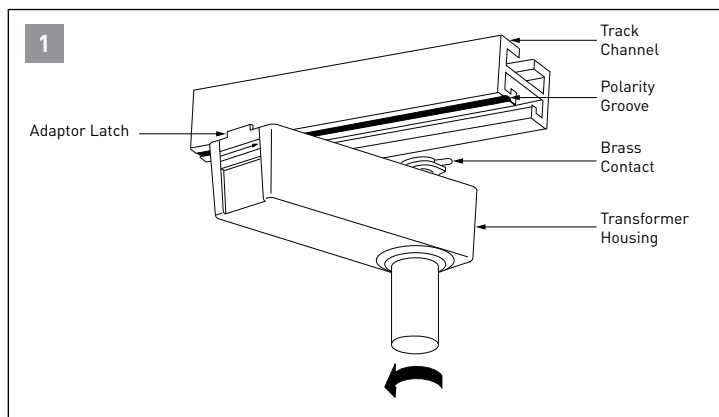
1. To avoid the possibility of electrical shock turn off power supply before installation or servicing.
2. Essentia® by Cree Track fixtures are UL® Classified for use with Essentia by Cree “CT” track systems, and Juno® (not affiliated with Essentia by Cree) “T” and “TU” Series track systems only.
3. Please read and understand all instructions thoroughly before installing any part of the Track system.

SAVE THESE INSTRUCTIONS FOR FUTURE REFERENCE

NOTES:

1. All Essentia® Track sections are manufactured with a Polarity Groove.
2. All Essentia® Track fixtures are manufactured with Indicator Arrows designed to point toward the Polarity Groove once installed. See **Figures 1 and 2**.
3. Use of dimmers with low voltage fixtures: Only use dimmers that are specifically designed for 12-Volt lamps. See Dimming Low Voltage Fixture information enclosed.
4. All Essentia® Track fixtures are supplied with a Contact Support to convert fixture from Single Circuit installation to Two Circuit Installation. See **Figures 3**.

FIXTURE INSTALLATION ON SINGLE CIRCUIT TRACK



STEP 1

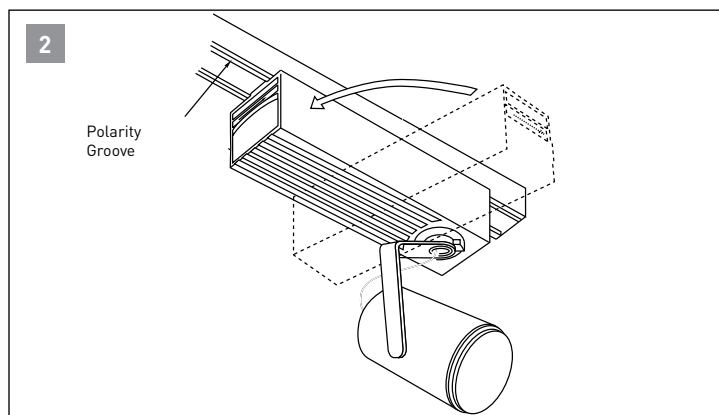
- Insert Brass Contact on top of Transformer Housing into the Track Channel. See **Figure 1**.

STEP 2

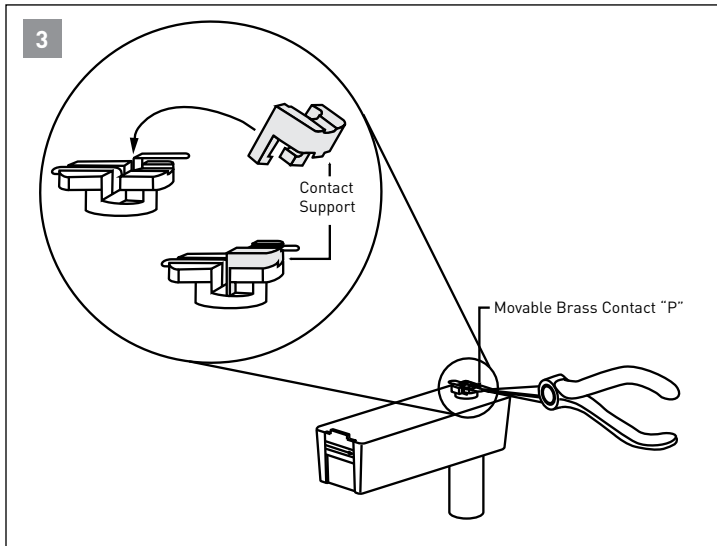
- Rotate the Transformer Housing 90° so that the Indicator Arrows point toward the Polarity Groove once installed. See **Figure 2**. Pull Adaptor Latch down as you rotate Transformer Housing in order for Latch to clear track edge and allow it to snap into place in the track.

STEP 3

- To remove or relocate track fixture location, pull Adaptor Latch down, rotate the Transformer Housing 90° away from the Polarity Groove and remove.



FIXTURE INSTALLATION ON TWO CIRCUIT TRACK



STEP 1

- To install track fixture into lower circuit of two-circuit track, follow directions for single circuit installation.

STEP 2

- To install track fixture into upper circuit of two-circuit track, raise the Brass Contact labeled "P" by grasping Contact with needle nose pliers and pulling up into position. See **Figure 3**.

STEP 3

- Insert Contact Support by tipping and positioning under the "P" Contact. See **Figure 3**. Snap Contact Support in place.
NOTE: Once the contact support is in place, make sure the "P" contact is fully seated in the support by using the needle nose pliers to push the "P" contact into place.

STEP 4

- Insert Brass Contact on top of Transformer Housing into the Track Channel. See **Figure 1**.

STEP 5

- Rotate the Transformer Housing 90° so that the Indicator Arrows point toward the Polarity Groove once installed. See **Figure 2**. Pull Adaptor Latch down as you rotate Transformer Housing in order for Latch to clear track edge and allow it to snap into place in the track.

STEP 6

- To remove or relocate track fixture location, pull Adaptor Latch down, rotate the Transformer Housing 90° away from the Polarity Groove and remove.