

IMPORTANT SAFEGUARDS

When using electrical equipment, basic safety precautions should always be followed including the following:

READ AND FOLLOW ALL SAFETY INSTRUCTIONS

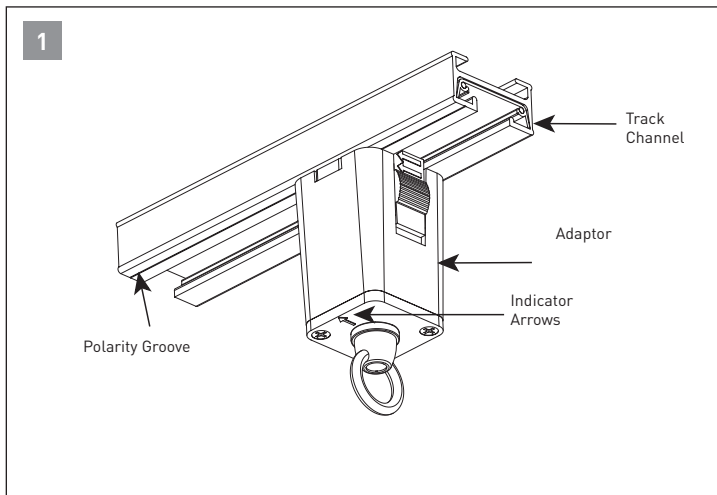
1. To avoid the possibility of electrical shock, turn off power supply before installation or servicing.
2. Read and understand all instructions thoroughly before installing any part of the Essentia® by Cree Track system.
3. Outlet and Pendant Adaptors are rated for a maximum of 5 Amps and a maximum of 600-watts. Do not overload.
4. Install in accordance with NEC or local electrical codes.

SAVE THESE INSTRUCTIONS FOR FUTURE REFERENCE

NOTES:

1. All Essentia® by Cree Track sections are manufactured with a Polarity Groove.
2. All Essentia by CreeTrack fixtures are manufactured with Indicator Arrows designed to point toward the Polarity Groove once installed. See **Figures 1 and 2**.
3. Track Adaptors are for use with Essentia by Cree “CT” track systems, and Juno® (not affiliated with Essentia by Cree) “T” and “TU” Series track systems only.
4. Pendant Adaptors are not UL Listed
5. Pendant Adaptors can support a maximum of 10 lbs.
6. DO NOT OVERLOAD

PENDANT ADAPTOR INSTALLATION OR REMOVAL



STEP 1

- Route approximately 6” of fixture cord (fixture not supplied) thru hole in pendant and tie a single knot (for strain relief) at end of cord.

STEP 2

- Connect fixture “hot” lead to Adaptor “Black” lead with wire nut supplied.

STEP 3

- Connect fixture “Common” lead to Adaptor “White” lead with wire nut supplied.

STEP 4

- Connect fixture “ground” lead to Adaptor “Green” lead

STEP 5

- Insert wire connections into adaptor housing and fasten pendant endplate to housing using (2) Phillips head screws supplied.

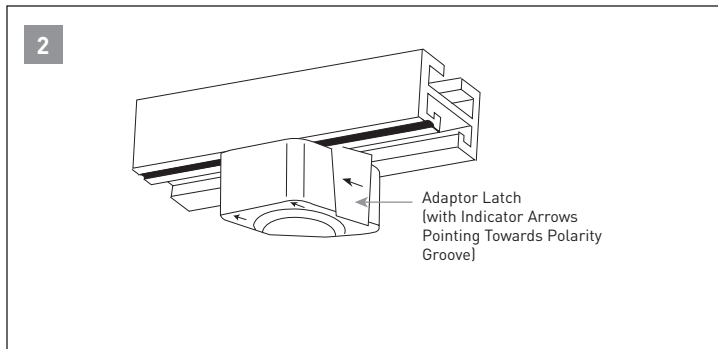
STEP 6

- Insert Brass Contact on Adaptor into the Track Channel.

STEP 7

- Rotate the Adaptor 90° so that the indicator Arrows point toward the Polarity Groove once installed. See **Figures 1 and 2**. Pull Adaptor latch down as you rotate adaptor in order for latch to clear track edge and allow it to snap into place in the track.

PENDANT ADAPTOR INSTALLATION OR REMOVAL CONTINUED



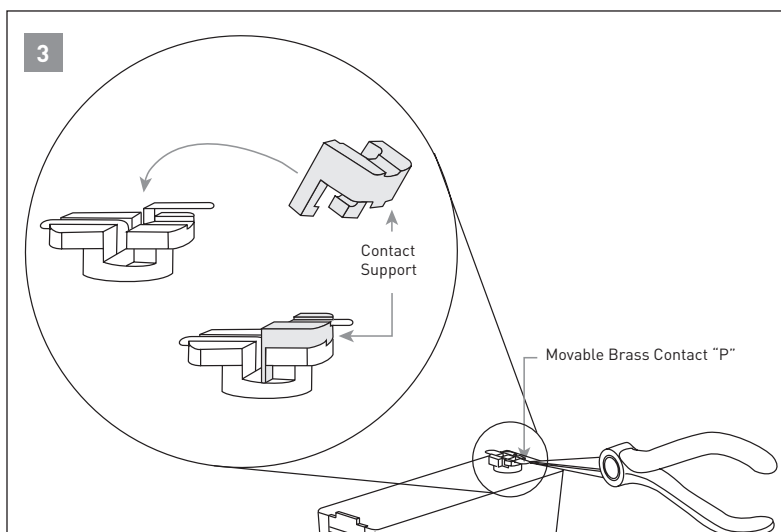
STEP 8

- Attach fixture chain or fixture to Pendant Adapter ring.
NOTE: fixture not to exceed 10lbs

STEP 9

- To remove or relocate Pendant Adaptor location, pull adaptor latch down, rotate the adaptor 90° away from the polarity groove and remove.

FIXTURE INSTALLATION ON TWO CIRCUIT TRACK



STEP 1

- To install track fixture into lower circuit of two-circuit track, follow directions for single circuit installation.

STEP 2

- To install track fixture into upper circuit of two-circuit track, raise the Brass Contact labeled "P" by grasping Contact with needle nose pliers and pulling up into position. See **Figure 3**.

STEP 3

- Insert Contact Support by tipping and positioning under the "P" Contact. See **Figure 3**. Snap Contact Support in place.
NOTE: Once the contact support is in place, make sure the "P" contact is fully seated in the support by using the needle nose pliers to push the "P" contact into place.

STEP 4

- Insert Brass Contact on top of Transformer Housing into the Track Channel. See **Figure 1**.

STEP 5

- Rotate the Transformer Housing 90° so that the Indicator Arrows point toward the Polarity Groove once installed. See **Figure 2**. Pull Adaptor Latch down as you rotate Transformer Housing in order for Latch to clear track edge and allow it to snap into place in the track.

STEP 6

- To remove or relocate track fixture location, pull Adaptor Latch down, rotate the Transformer Housing 90° away from the Polarity Groove and remove.

© 2016 Cree, Inc. All rights reserved. For informational purposes only. Content is subject to change. See lighting.cree.com/warranty for warranty and specifications. Cree® and Essentia® are registered trademarks of Cree, Inc.

US: lighting.cree.com

T (800) 236-6800 F (262) 504-5415

Canada: www.cree.com/canada

T (800) 473-1234 F (800) 890-7507

ESSENTIA® | by **CREE** ⇄