

Essentia® Series Track

Notch Back Track - Low Voltage

Product Description

The Essentia® Series Track Notch Back Low Voltage Track Fixture is ideal for general purpose track lighting in indoor commercial, retail, or industrial applications. Designed to fit MR16 lamps and is available in white, black, or silver. Made with die-cast aluminum housing and compatible with 1- or 2-circuit track from Essentia® Series Track, Juno, Prescolite, and Con-Tech. Also, comes standard with a clear glass shield that is held securely in place with two clips. Relamped by removing the front face of the fixture head (no tools required). The Essentia® Series Track notch back low voltage line comes with a performance 1-year limited warranty and pairs perfectly with the Cree® MR16 LED lamp.

Applications: General purpose track lighting for indoor commercial, retail or industrial applications

Performance Summary

Lamp Compatibility: MR16 Max. 75W

Adjustability: Vibration resistant internal locknut, no tools required

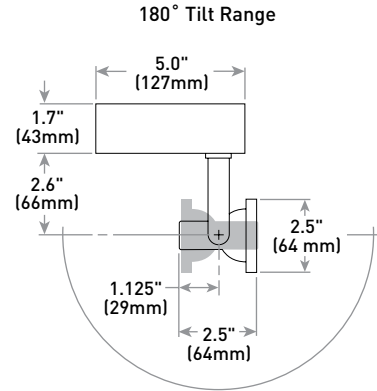
UL and cUL Listed

Limited Warranty†: 1 year

†See <http://lighting.cree.com/warranty> for warranty terms



Shown with Black Finish



Ordering Information

Example: S-CT-NB-75W-MR16-EET-BK

S-CT	NB	75W	MR16	EET	
Series	Description	Max. Wattage	Lamp Type	Transformer	Housing Color
S-CT Essentia Series Track	NB Notch Back	75W 75 Watts	MR16	EET Electronic External Solid State	BK Black WH White SV Silver



US: lighting.cree.com

Rev. Date: V4 10/04/2018

T (800) 236-6800 F (262) 504-5415



Canada: www.cree.com/canada

T (800) 473-1234 F (800) 890-7507

Product Specifications

CONSTRUCTION & MATERIALS

- Die-cast aluminum housing
- Polyester powder coated finish
- Single yoke has internal locknut to secure aiming
- Comes standard with a clear glass shield that is held securely in place with two clips. When using recommended lamps, clear glass shield must be removed prior to installation
- Relamped by removing the front face of the fixture head (no tools required)
- Compatible with 1 or 2 circuit track from Essentia® Series Track, Juno, Prescolite, and Con-Tech

ELECTRICAL SYSTEM

- **Intilt:** Approx: 180°
- **Rotation:** 358°
- 12V low voltage Halogen
- **Lamp Compatibility:** MR16 Max. 75W
- External solid-state electronic dimmable

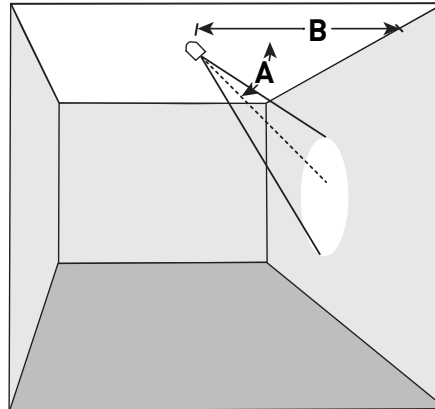
NOTE: If dimming fixtures with electronic transformers, you must use a dimmer rated for use with electronic transformers

NOTE: Most dimmers that are rated for dimming electronic transformers require neutral connection at the dimmer

REGULATORY & VOLUNTARY QUALIFICATIONS

- UL and cUL Listed
- Suitable for dry location
- **CA RESIDENTS WARNING:** Cancer and Reproductive Harm – www.p65warnings.ca.gov

Application Reference



A = Preferred 60° aiming angle

B = Typical track head setback of 1.5'(0.5m) - 3.0' (0.9m) from wall

Recommended Cree Lamps

- MR16 15°
- MR16-50W-30K-15D



- MR16 25°
- MR16-50W-30K-25D



- MR16 40°
- MR16-50W-30K-40D



NOTE: When using Cree MR16 lamps clear glass shield must be removed