

## IMPORTANT SAFEGUARDS

When using electrical equipment, basic safety precautions should always be followed including the following:

### READ AND FOLLOW ALL SAFETY INSTRUCTIONS

1. To avoid the possibility of electrical shock, turn off power supply before installation or servicing.
2. Product must be installed in accordance with NEC or your local electrical code. If you are not familiar with these codes and requirements, consult a qualified electrician.
3. Check to make sure that all luminaire connections have been properly made and the luminaire is grounded to avoid potential electrical shocks.
4. Do not handle energized luminaire with wet hands, when standing on wet or damp surfaces, or in water.

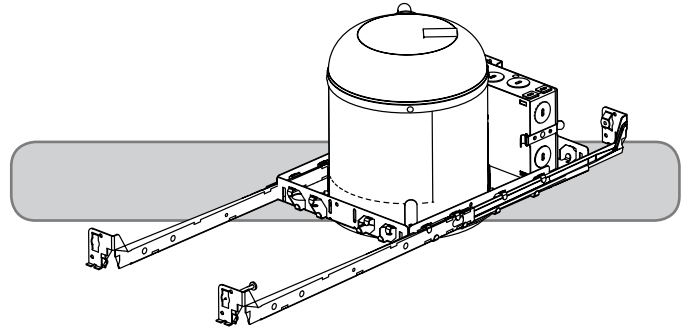
### SAVE THESE INSTRUCTIONS FOR FUTURE REFERENCE

The RC6 is rated for use with CREE products:

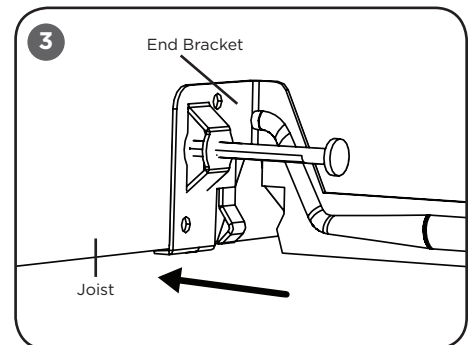
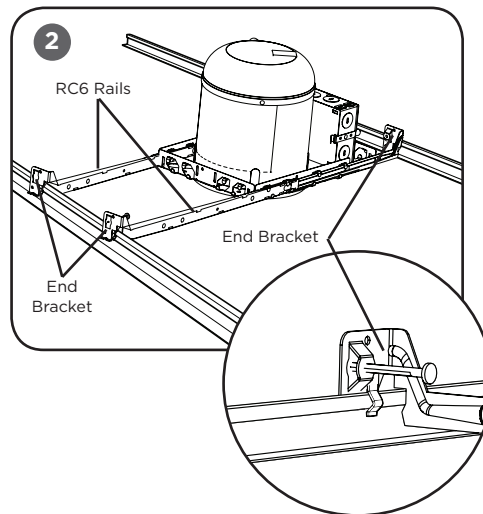
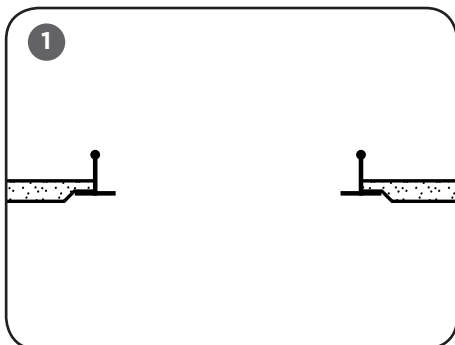
- LE6™
- LR6™
- CR6 Families

RC6 is designed for Type IC (completely buried in insulation) applications. Designed for use in 120 volt, 60 hertz protected circuit (fuse box, circuit breakers) and 90°C rated supply wire.

## INSTALLATION INSTRUCTIONS



## TO INSTALL:



## SUSPENDED CEILING

### STEP 1:

Locate two 24" T-bar hangers with the slots standing up. See **Figure 1**.

### STEP 2:

Pull rails to desired length. The range of the rails are 14" to 25".

### STEP 3:

Hang the first side of the RC6 rail end bracket over the T-bar hanger. Pull the opposite side of the attached rail out to reach the other side of the opening that you are mounting the luminaire within. Hang the other side rail end bracket over the opposite T-bar hanger. Repeat same procedure with the other RC6 rail. See **Figure 2**.

### STEP 4:

Slide pan assembly back and forth along rails until the can position is located properly.

### STEP 5:

To secure the rails, tighten provided screw in the middle of each end bracket.

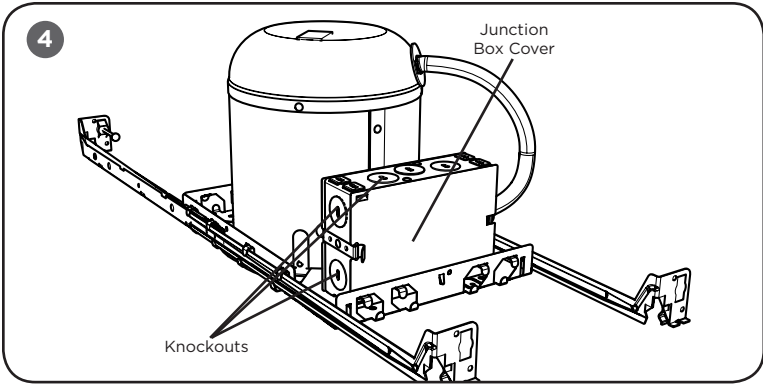
## WOODEN JOISTS

### STEP 1:

Pull rails to desired length

### STEP 2:

Position the end brackets securely against the joist in the desired location and use a hammer to drive the nail fully into the joist. See **Figure 3**.

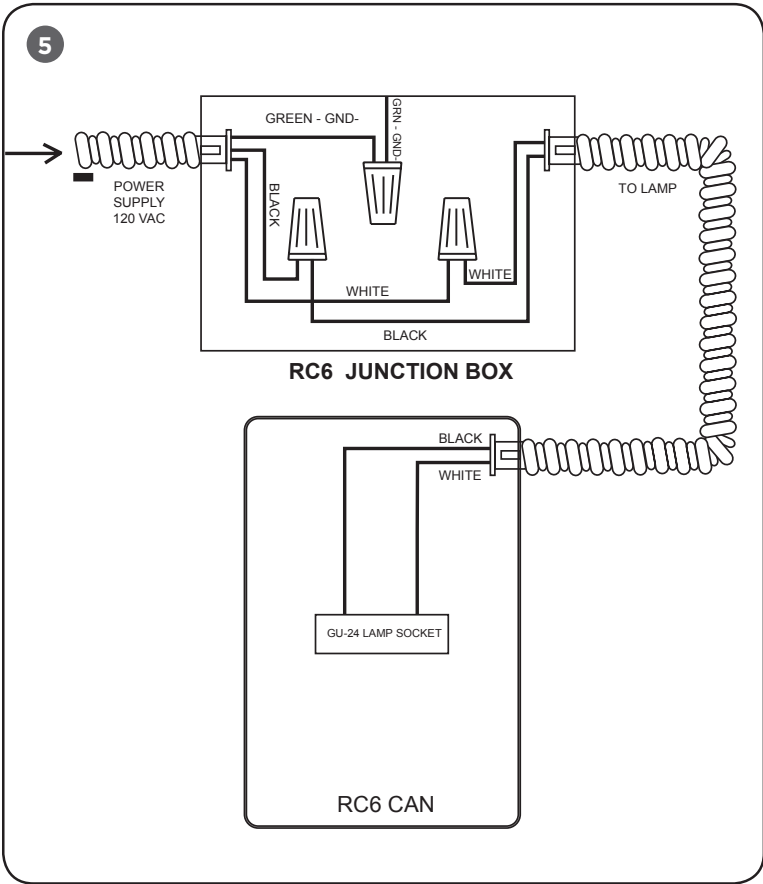


**REMOVE ROUGH-IN WIRING**

**STEP 1:**  
Remove snap junction box cover and appropriate knock-out with a flat blade screwdriver. See **Figure 4**.

**STEP 2:**  
Bring supply wires into the junction box using shielded cable and connect securely through the open knock-out. Connect supply leads and ground wire to the appropriate luminaire wires located within the junction box. See junction box wiring diagram in **Figure 5**.

**NOTE:** This device is not intended for use with emergency exit luminaires or emergency lighting.



**POST INSTALLATION  
J-BOX ACCESS**

To access j-box after RC6 and ceiling installation, remove 4 screws at the base of the recessed can. Push can aside and access j-box. Replace can and screws when finished and before installation of the LR6 product.



INCLUDING TRUEWHITE® TECHNOLOGY FIXTURE ACCESSORIES)

This limited warranty is provided by the Cree company described below ("Seller") to you as the original purchaser of the LED lighting product that is identified on Seller's invoice reflecting its original purchase (the "Product"). The Seller is the Cree company identified as such on the invoice. This limited warranty may be transferred to subsequent purchasers of the Product, provided that such Product is resold in new condition and in its original packaging. Seller warrants that the Product, when delivered in new condition and in its original packaging, will be free of defects in material and workmanship for a period of ONE (1) YEAR from the date of original purchase or, if longer, the length of the warranty extended to Seller by the third party manufacturer of such fixture accessory. The determination of whether the Product is defective shall be made by Seller in its sole discretion with consideration given to the overall performance of the Product.

If Seller determines the Product is defective, Seller will elect, in its sole discretion, to refund you the purchase price of the Product, repair the Product or replace the Product. This limited warranty does not apply to loss or damage to the Product caused by: negligence; abuse; misuse; mishandling; improper installation, storage or maintenance; damage due to fire or acts of God; vandalism; civil disturbances; power surges; improper power supply; electrical current fluctuations; corrosive environment installations; induced vibration; harmonic oscillation or resonance associated with movement of air currents around the Product; alteration; accident; failure to follow installation, operating, maintenance or environmental instructions prescribed by Seller or applicable electrical codes; or improper service of the Product performed by someone other than Seller or its authorized service provider. This limited warranty excludes field labor and service charges related to the repair or replacement of the Product. THIS LIMITED WARRANTY IS VOID IF THE PRODUCT IS NOT USED FOR THE PURPOSE FOR WHICH IT IS DESIGNED. Seller reserves the right to utilize new, reconditioned, refurbished, repaired or remanufactured products or parts in the warranty repair or replacement process. Such products and parts will be comparable in function and performance to an original product or part, as determined by Seller in its sole discretion, and warranted for the remainder of the original warranty period.

In order to make a warranty claim, you must notify Seller in writing within sixty (60) days after your discovery of the defect, provide proof of purchase such as the invoice and comply with Seller's other warranty requirements. Upon receiving that notice, Seller may require you to promptly return the Product to Seller, or its authorized service provider, freight prepaid. Your warranty claim should be addressed to Cree, Inc., 9201 Washington Avenue, Racine, WI 53406. This limited warranty only applies to LED fixture accessories, including backup batteries, controls, occupancy sensors, and photocells. Any warranties applicable to other lighting products of Seller can be found at [www.cree.com/lighting/products/warranty](http://www.cree.com/lighting/products/warranty). THE FOREGOING WARRANTY PROVISIONS ARE EXCLUSIVE AND ARE GIVEN AND ACCEPTED IN LIEU OF ANY AND ALL OTHER WARRANTIES, WHETHER EXPRESS OR IMPLIED, INCLUDING WITHOUT LIMITATION ANY WARRANTY AGAINST INFRINGEMENT AND ANY IMPLIED WARRANTIES OF MERCHANTABILITY OR FITNESS FOR A PARTICULAR PURPOSE.

IN NO EVENT SHALL SELLER BE LIABLE FOR INCIDENTAL, COMPENSATORY, CONSEQUENTIAL, INDIRECT, SPECIAL OR OTHER DAMAGES. SELLER'S AGGREGATE LIABILITY WITH RESPECT TO A DEFECTIVE PRODUCT SHALL IN ANY EVENT BE LIMITED TO THE MONIES PAID TO SELLER FOR THAT DEFECTIVE PRODUCT. This warranty is effective for purchases of Product on or after the effective date set forth below. Seller reserves the right to modify this warranty from time to time. Any modification of this warranty shall be effective for all orders placed with Seller on or after the effective date of such revised warranty. Effective Date: January 1, 2013