



C6-LSA Series

INCLUDING C6-120V-LSA, C6-277V-LSA

INSTALLATION INSTRUCTIONS

IMPORTANT SAFETY INFORMATION

READ ALL INSTRUCTIONS BEFORE INSTALLATION

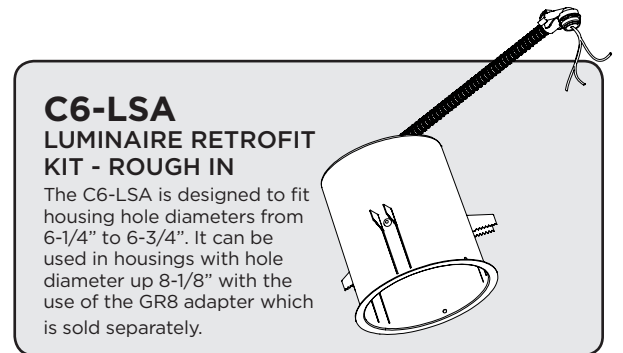
WARNING - Risk of Electric Shock. Disconnect power at fuse or circuit breaker before installing or servicing. Suitable for Damp Locations.

Note: (1) Before installing this fixture or doing any maintenance, make sure to turn off the power supply at the circuit breaker or fuse box. (2) Check to make sure that all input conduit connections have been properly made and grounded to avoid potential electrical shocks. (3) DO NOT handle energized module with wet hands, when standing on wet or damp surfaces, or in water. (4) C6-120V-LSA is designed for use in 120VAC, 60Hz protected circuit (fuse box, circuit breakers) and 90° C rated supply wire. C6-277V-LSA is designed for use in 277V, 60Hz protected circuit (fuse box, circuit breakers) and 90° C rated supply wire. Use with any other voltage will damage unit and void warranty. Do not make or alter any open holes in an enclosure of wiring or electrical components during kit installation or equivalent.

THIS PRODUCT MUST BE INSTALLED IN ACCORDANCE WITH THE APPLICABLE INSTALLATION CODE BY A PERSON FAMILIAR WITH THE CONSTRUCTION AND OPERATION OF THE PRODUCT AND THE HAZARDS INVOLVED and CE PRODUIT DOIT ÊTRE INSTALLÉ SELON LE CODE D'INSTALLATION PERTINENT, PAR UNE PERSONNE QUI CONNAÎT BIEN LE PRODUIT ET SON FONCTIONNEMENT AINSI QUE LES RISQUES INHÉRENTS

REQUIRED FOR THE CONVERSION OF AN EXISTING FIXTURE

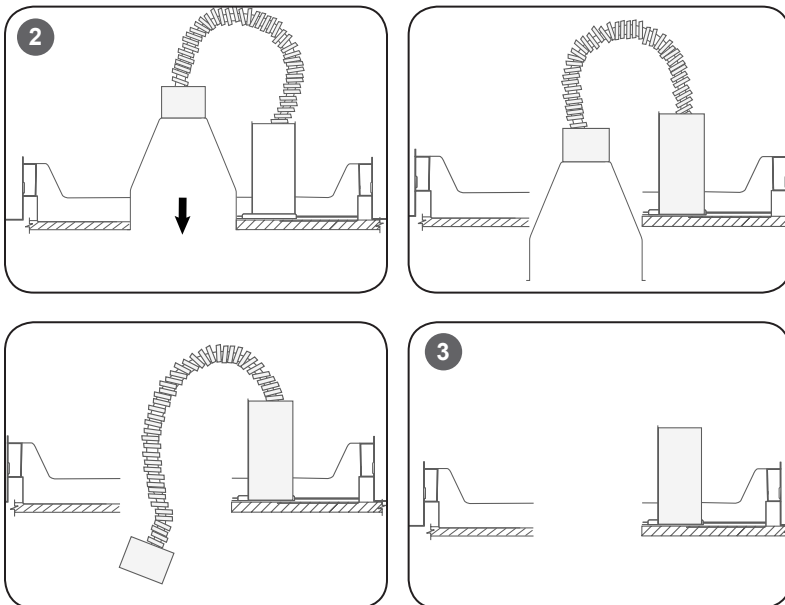
(1) C6-LSA Can with attached 3 conductor conduit, (3) Slide Clamps, (3) Slide Clamp Wing Nuts, (3) Slide Clamp Carriage Bolts, (1) CR6 or LR6 Luminaire Retrofit Kit as noted.



LUMINAIRE RETROFIT KIT ROUGH IN	LUMINAIRE RETROFIT KIT LED LIGHT ASSEMBLY (SOLD SEPARATELY)
C6-120V-LSA	CR6-GU24 LR6-GU24 LR6C-GU24 LR6-DR650, LR6C-DR650 LR6-DR1000, LR6-10L LR6C-DR1000
C6-277V-LSA	LR6-277V, LR6C-277V LR6-DR1000-277V LR6C-DR1000-277V

Reference www.cree.com/lighting for your nearest distributor of Luminaire Retrofit Kits-Rough In and Luminaire Retrofit Kits-LED Light Assembly (sold separately).

CONVERSION AND INSTALLATION:



STEP 1:

Remove the existing lamp from the existing fixture. Handle with care and dispose properly.

STEP 2:

Remove the lamp trim from the pan according to the manufacturer's instructions. If the existing fixture is a can assembly, remove it according to the manufacturer's instructions.

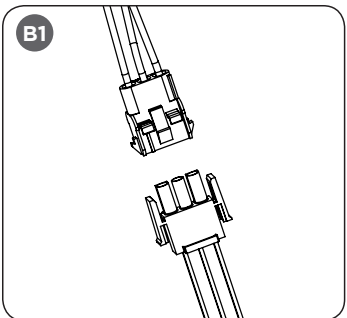
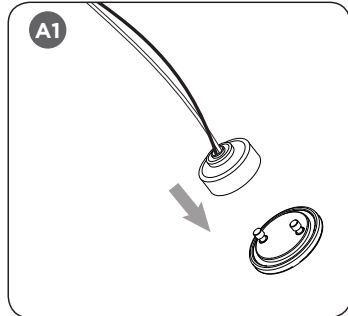
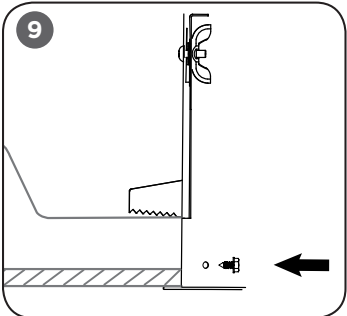
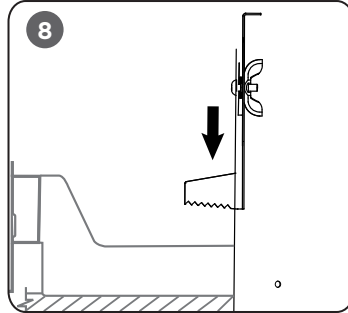
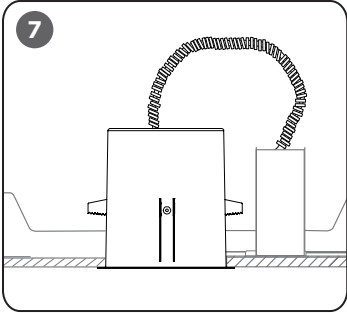
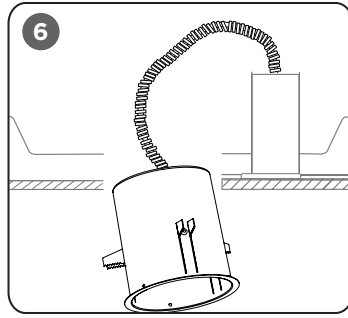
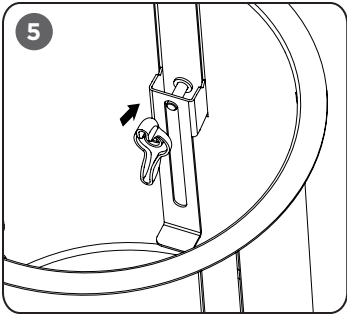
STEP 3:

Disconnect the wiring from the Junction Box and discard it.

Note: If the fixture is a Compact Fluorescent Lamp (CFL) type, disconnect line voltage from ballast and terminate ballast wires according to local code.

STEP 4:

Dispose of the assembly properly.



STEP 5:

Slide side clamps in can in the lowest position from can clip using wing nuts and pre-attached bolts as shown. Teeth should pass through the can slots and face the lip of the can. Lightly tighten wing nuts.

STEP 6:

Securely connect C6-LSA whip to Junction Box utilizing provided or UL listed conduit fitting. Terminate wiring inside Junction Box (ground-to-ground, white-to-white, black-to-black).

STEP 7:

Feed can and conduit into ceiling hole.

STEP 8:

Move side clamps down to contact ceiling and firmly tighten wing nuts.

STEP 9:

If additional support is desired, drill holes in the ceiling pan that aligns with the holes in the can and install sheet metal screws (not provided).

Retrofit kit it ready for installation.

STEP A1:

Model C6-120V-LSA is provided with a GU24-base lamp holder for connection to LED Light Assembly.

STEP B1:

Model C6-277V-LSA is provided with a universal Mate-N-Lok connector for connection to LED Light Assembly.

Turn on power.

GR8 ADAPTER USAGE INSTRUCTIONS:

STEP A:

Install the C6-LSA Luminaire Retrofit Kit Rough In according to the instructions shown above, except in STEP 5, slide 8" adapter ring over top of can. Adapter ring is provided in the GR8 adapter kit.



LIMITED WARRANTY FOR CREE® LED LIGHTING FIXTURE ACCESSORIES (INCLUDING BETALED® TECHNOLOGY AND TRUEWHITE® TECHNOLOGY FIXTURE ACCESSORIES)

This limited warranty is provided by the Cree company described below ("Seller") to you as the original purchaser of the LED lighting product that is identified on Seller's invoice reflecting its original purchase (the "Product"). The Seller is the Cree company identified as such on the invoice. This limited warranty may be transferred to subsequent purchasers of the Product, provided that such Product is resold in new condition and in its original packaging. Seller warrants that the Product, when delivered in new condition and in its original packaging, will be free of defects in material and workmanship for a period of ONE (1) YEAR from the date of original purchase or, if longer, the length of the warranty extended to Seller by the third party manufacturer of such fixture accessory. The determination of whether the Product is defective shall be made by Seller in its sole discretion with consideration given to the overall performance of the Product. If Seller determines the Product is defective, Seller will elect, in its sole discretion, to refund you the purchase price of the Product, repair the Product or replace the Product. This limited warranty does not apply to loss or damage to the Product caused by: negligence; abuse; misuse; mishandling; improper installation, storage or maintenance; damage due to fire or acts of God; vandalism; civil disturbances; power surges; improper power supply; electrical current fluctuations; corrosive environment installations; induced vibration; harmonic oscillation or resonance associated with movement of air currents around the Product; alteration; accident; failure to follow installation, operating, maintenance or environmental instructions prescribed by Seller or applicable electrical codes; or improper service of the Product performed by someone other than Seller or its authorized service provider. This limited warranty excludes field labor and service charges related to the repair or replacement of the Product. THIS LIMITED WARRANTY IS VOID IF THE PRODUCT IS NOT USED FOR THE PURPOSE FOR WHICH IT IS DESIGNED. Seller reserves the right to utilize new, reconditioned, refurbished, repaired or remanufactured products or parts in the warranty repair or replacement process. Such products and parts will be comparable in function and performance to an original product or part, as determined by Seller in its sole discretion, and warranted for the remainder of the original warranty period. In order to make a warranty claim, you must notify Seller in writing within sixty (60) days after your discovery of the defect, provide proof of purchase such as the invoice and comply with Seller's other warranty requirements. Upon receiving that notice, Seller may require you to promptly return the Product to Seller, or its authorized service provider, freight prepaid. Your warranty claim should be addressed to Cree, Inc., 9201 Washington Avenue, Racine, WI 53406. This limited warranty only applies to LED fixture accessories, including backup batteries, controls, occupancy sensors, and photocells. Any warranties applicable to other lighting products of Seller can be found at www.cree.com/lighting/products/warranty. THE FOREGOING WARRANTY PROVISIONS ARE EXCLUSIVE AND ARE GIVEN AND ACCEPTED IN LIEU OF ANY AND ALL OTHER WARRANTIES, WHETHER EXPRESS OR IMPLIED, INCLUDING WITHOUT LIMITATION ANY WARRANTY AGAINST INFRINGEMENT AND ANY IMPLIED WARRANTIES OF MERCHANTABILITY OR FITNESS FOR A PARTICULAR PURPOSE. IN NO EVENT SHALL SELLER BE LIABLE FOR INCIDENTAL, COMPENSATORY, CONSEQUENTIAL, INDIRECT, SPECIAL OR OTHER DAMAGES. SELLER'S AGGREGATE LIABILITY WITH RESPECT TO A DEFECTIVE PRODUCT SHALL IN ANY EVENT BE LIMITED TO THE MONIES PAID TO SELLER FOR THAT DEFECTIVE PRODUCT. This warranty is effective for purchases of Product on or after the effective date set forth below. Seller reserves the right to modify this warranty from time to time. Any modification of this warranty shall be effective for all orders placed with Seller on or after the effective date of such revised warranty. Effective Date: January 1, 2013