

INSTALLATION INSTRUCTIONS

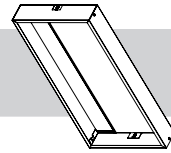
The Surface Mount Kit is designed for use with CR Series Troffers for surface or suspended mounting.

IMPORTANT SAFETY INFORMATION
Read all instructions before installation

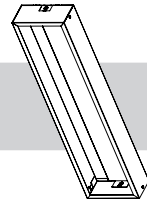
(1) Before installing this fixture or doing any maintenance, make sure to turn off the power supply at the circuit breaker or fuse box. (2) Do not handle energized module with wet hands or when standing on wet or damp surfaces, or in water.

WARNING - Risk of Electric Shock. Suitable for damp locations. Access above ceiling required. Do not install insulation within 3"(76mm) of any part of the luminaire. Suitable for suspended ceilings.

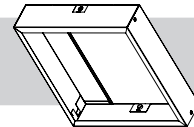
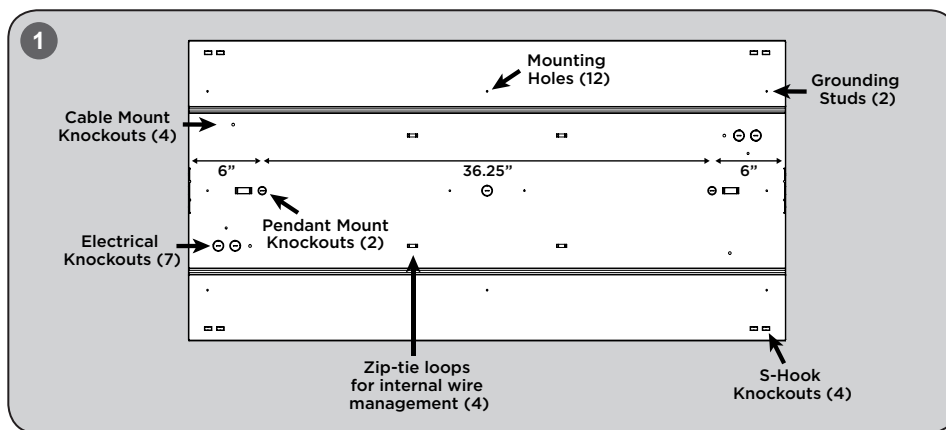
SMK-CR24



SMK-CR14



SMK-CR22


TO INSTALL:

INSTALL BASE HOUSING ON TO SURFACE OR SUSPEND FROM CHAIN:
STEP 1a:

See Fig. 1 for all mounting features and wiring access points.

NOTE: Distance between the two Pendant Mount Knockouts for SMK-CR24 and SMK-CR14 is 36.25", and 6" from each edge. The distance between the two Pendant Mount Knockouts for SMK-CR22 is 15", and 5" from each edge.

STEP 1b:

Attach ground wire lead to grounding stud of your choice using included ground nut.

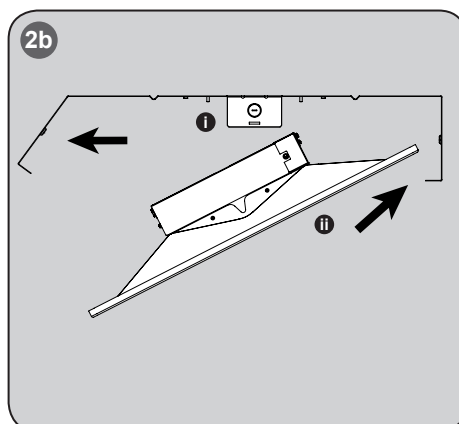
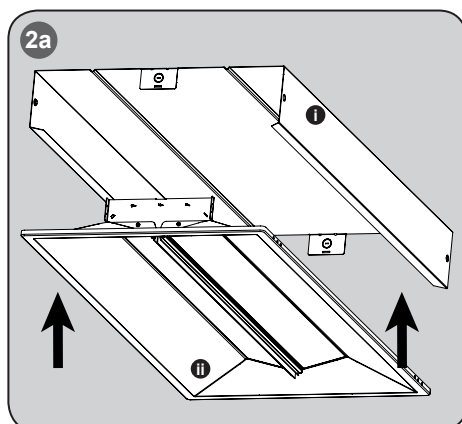
INSTALL CR SERIES TROFFER INTO BASE HOUSING:
STEP 2a:

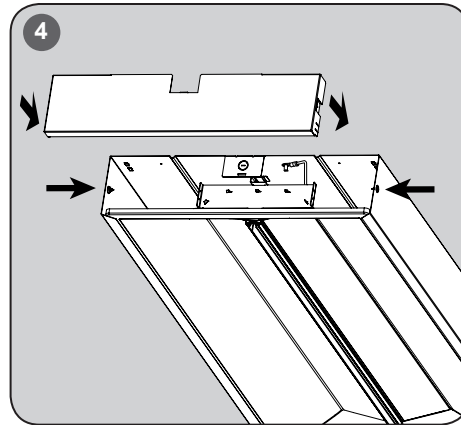
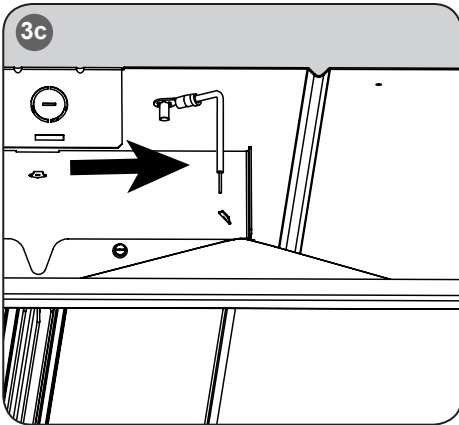
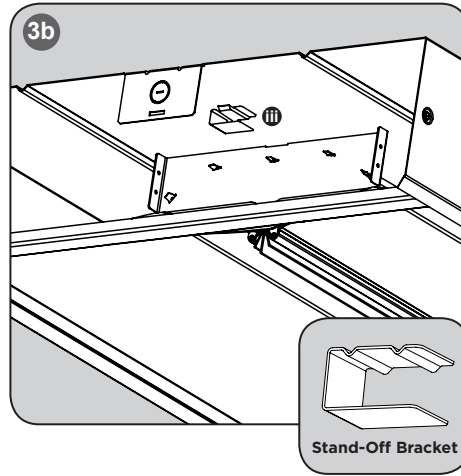
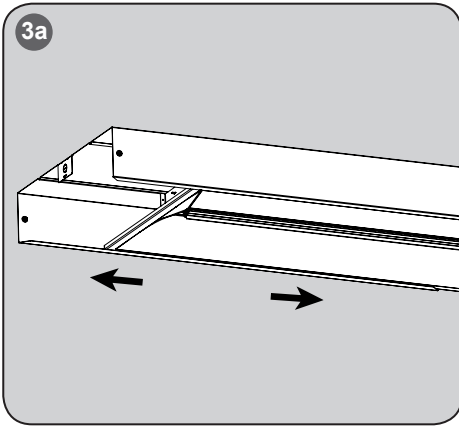
Place one edge of CR Series Troffer (ii) on inside edge of housing (i).

STEP 2b:

Pull housing side wall outward. Rotate troffer into housing.

- Route all AC wires through knockouts and attach to CR Series Troffer leads as indicated in the installation instructions included with the CR Series Troffers.
- Dress wires using zip-ties (**not provided**) through loops where indicated above.





INSTALL STAND-OFF BRACKETS AND GROUND WIRE:

STEP 3a:

Slide the CR Series Troffer to either end of the housing to expose the stand-off loop.

STEP 3b:

Install stand-off brackets (iii) by sliding the tab with the detent bumps into the receiving loop.

STEP 3c:

Install ground wire with the (8-32) star nut (provided).

INSTALL END CAPS:

STEP 4:

Install an End Cap on each end to complete the enclosure and secure with (2) sheet metal screws each.



Made in US
US and Foreign Patents Pending

CREE® TRUEWHITE® TECHNOLOGY FIXTURE ACCESSORY LIMITED CONSUMER WARRANTY

The limited warranty set forth below is given by the Cree company listed below ("Seller") with respect to the lighting product packaged with this limited warranty (the "Product"). Your Product, when delivered to you in new condition in its original packaging, is warranted against defects in materials or workmanship as follows: for a period of ONE (1) YEAR from the date of original purchase, defective parts or a defective Product returned with the sales receipt as proof of purchase to Seller, or its authorized service providers, as applicable, and proven to be defective upon inspection, will be repaired, or exchanged for a new Product, as determined by Seller, or the authorized service provider. This limited warranty covers all defects encountered in normal use of the Product, and does not apply in the following cases: Loss of or damage to the Product due to acts of God; fire; vandalism; civil disturbances; power surges; improper power supply; electrical current fluctuations; corrosive environment installations; induced vibration; harmonic oscillation or resonance associated with movement of air currents around the product; abuse; alteration; accident; mishandling; failure to follow operating, maintenance or environmental instructions prescribed by Seller in writing or services performed by someone other than Seller or its authorized service provider. WARRANTY IS VOID IF PRODUCT IS NOT USED FOR THE PURPOSE FOR WHICH THIS PRODUCT IS MANUFACTURED. Any complaints you may have regarding the Product should be addressed to Ruud Lighting, Inc., 9201 Washington Avenue, Racine, WI 53406. Seller shall have no liability under this warranty unless Seller is notified in writing within sixty (60) days after your discovery of the defect and the defective items are promptly returned to Seller, freight prepaid, and received by Seller. This warranty excludes field labor and service charges related to the repair or replacement of the product. NO IMPLIED WARRANTY, INCLUDING ANY IMPLIED WARRANTY OF MERCHANTABILITY OR FITNESS FOR A PARTICULAR PURPOSE, APPLIES TO THE PRODUCT AFTER THE APPLICABLE PERIOD OF THE EXPRESS LIMITED WARRANTY STATED ABOVE, AND NO OTHER EXPRESS WARRANTY OR GUARANTY GIVEN BY ANY PERSON OR ENTITY WITH RESPECT TO THE PRODUCT SHALL BIND SELLER. (SOME STATES AND PROVINCES DO NOT ALLOW LIMITATIONS ON HOW LONG AN IMPLIED WARRANTY LASTS, SO THE ABOVE LIMITATION MAY NOT APPLY TO YOU.)