

### IMPORTANT SAFEGUARDS

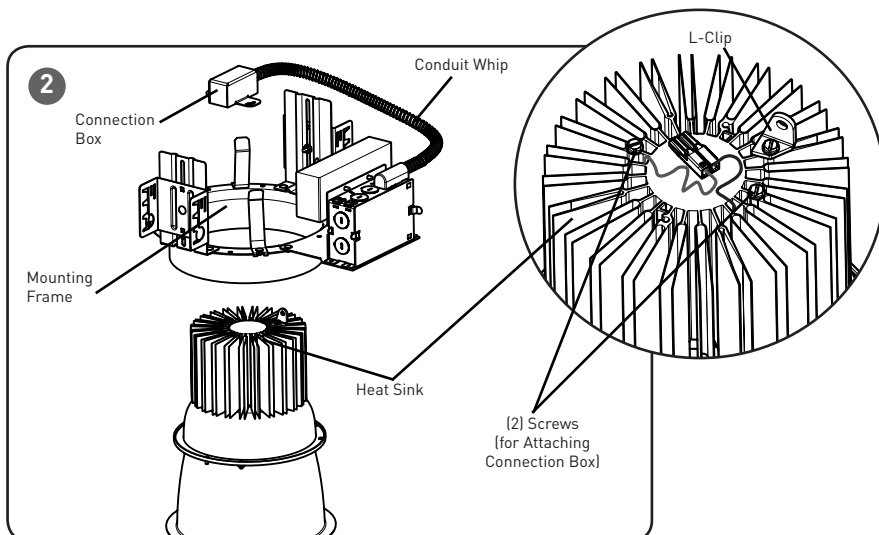
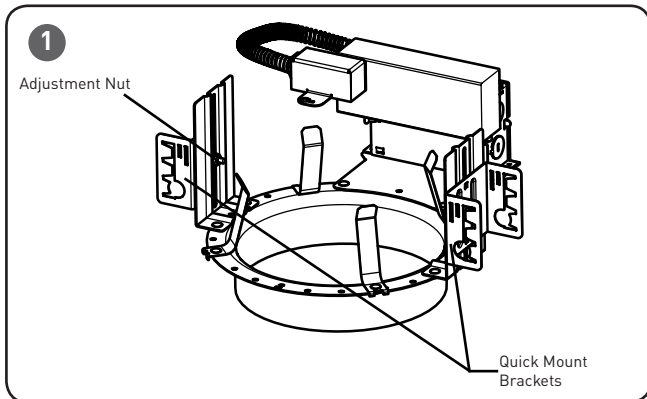
When using electrical equipment, basic safety precautions should always be followed including the following:

### READ AND FOLLOW ALL SAFETY INSTRUCTIONS

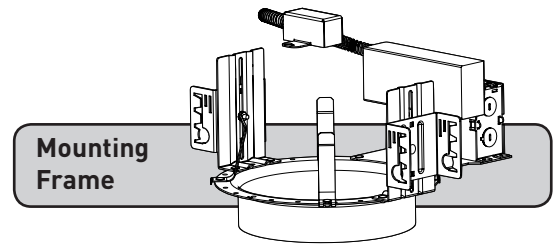
- DANGER**- Risk of shock- Disconnect power before installation.  
*DANGER – Risque de choc – Couper l'alimentation avant l'installation.*
- This luminaire must be installed in accordance with the NEC or your local electrical code. If you are not familiar with these codes and requirements, consult a qualified electrician.  
*Ce produit doit être installé conformément à NEC ou votre code électrique local. Si vous n'êtes pas familier avec ces codes et ces exigences, veuillez contacter un électricien qualifié.*
- This luminaire is thermally protected. Do not install insulation within 3 inches (76 mm) of luminaire sides or junction box nor above luminaire in such a manner as to entrap heat. *Ne pas mettre l'isolant a moins de 76 mm (3 po) de toute partie du luminaire. Convient aux plafonds suspendus.*
- Blinking of this thermally protected luminaire may indicate overheating. Si l'ampoule de ce luminaire a protection thermique clignote, cela peut signifier une surchauffe.
- This luminaire must be supported by main runners or other building structure that is capable of supporting fixture weight.

### SAVE THESE INSTRUCTIONS FOR FUTURE REFERENCE

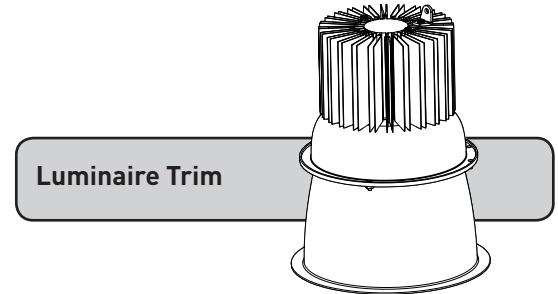
#### TO INSTALL:



#### INSTALLATION INSTRUCTIONS



Mounting Frame



Luminaire Trim

#### NOTE:

- Mounting Frame and Luminaire Trim are shipped separately.
- Attach the safety cable to the L-clip located on the top of the Luminaire Trim Assembly's heat sink. See **Figure 2**.

#### MOUNTING FRAME INSTALLATION

##### STEP 1:

Mark the intended location of the luminaire and cut appropriate opening in the ceiling using the chart below:

KR SERIES	CUTOUT DIMENSIONS
KR8 Round	8.25" (21 cm)

##### STEP 2:

Thread rigid conduit, bar stock, wire or C-channel (supplied by others) through quick-mount brackets at the sides of the mounting frame. See **Figure 1**.

##### STEP 3:

Attach mounting means to structure capable of supporting the luminaire's weight.

##### STEP 4:

Adjust mounting height by loosening adjustment nut, see **Figure 1**, and then position bracket so that the bottom of the plaster ring is flush with the bottom of the opening of the finished ceiling.

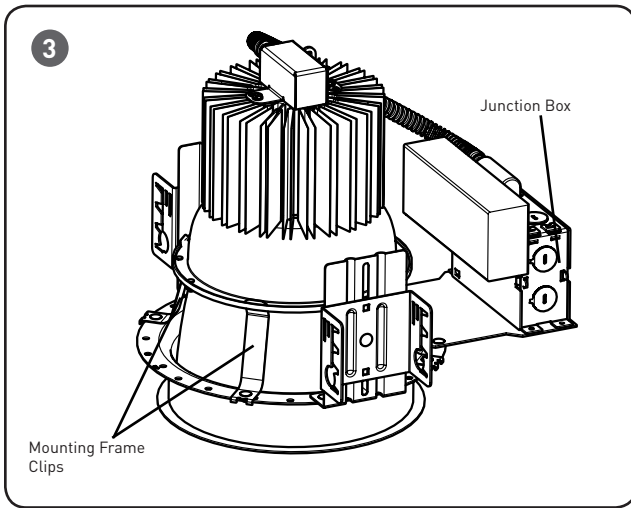
##### STEP 5:

Tighten adjustment nut.

#### LUMINAIRE TRIM INSTALLATION

##### STEP 1:

Locate safety cable on the mounting frame and feed it through the mounting frame hole. Attach the safety cable to the L-clip located on the top of the Luminaire Trim Assembly's heat sink. See **Figure 2**.



**STEP 2:**

Bring the conduit whip through the mounting frame hole. Attach the connector coming from the conduit whip to the Luminaire Trim Assembly's connector located on the top of the heat sink. See **Figure 2**.

**STEP 3:**

Attach the connection box to the top of the Luminaire Trim Assembly by locating the (2) screws on the heat sink and inserting the slots on the connection box over the screws. Rotate the connection box to lock in place. See **Figure 2**.

**STEP 4:**

Bring the Luminaire Trim Assembly through the hole in the mounting frame and push up on the Luminaire Trim Assembly until the clips on the mounting frame click in place. See **Figure 3**.

**STEP 5:**

Remove one of the junction box covers and bring in appropriate power supply to the junction box using one of the knock-outs. See **Figure 3**.

**STEP 6:**

Wire luminaire per “**Electrical Connections**” section.

**ELECTRICAL CONNECTIONS-  
6000 AND 8000 LUMEN WITH 120-277V, 60HZ**

**STEP 1:**

Supply connections can be brought to the junction box using customer supplied conduit or cord.

**STEP 2:**

Using customer supplied 90°C minimum rated wire connectors, make the following electrical connections within the junction box.

- a. For 120/277V connect the black fixture lead to the voltage supply position of the junction box (Hot 1 for 208/240V wiring).
- b. For 120/277V Connect the white fixture lead to the neutral supply position of the junction box (Hot 2 for 208/240V wiring).
- c. Connect the green or green/yellow ground lead to the green wire position of the junction box.
- d. If Dimming is an option; connect the violet dimming positive lead to the supply dimming positive lead.
- e. If Dimming is an option; connect the grey dimming negative lead to the supply dimming negative lead.

