

INSTALLATION INSTRUCTIONS

IMPORTANT SAFEGUARDS

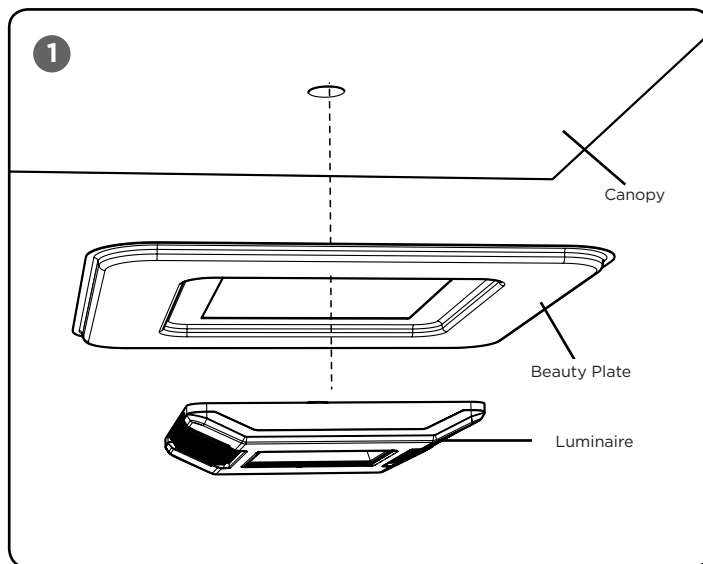
When using electrical equipment, basic safety precautions should always be followed including the following:

READ AND FOLLOW ALL SAFETY INSTRUCTIONS

1. To reduce the risk of electrical shock, turn off power supply before installation or servicing.

SAVE THESE INSTRUCTIONS FOR FUTURE REFERENCE

TO INSTALL:



INSTALLING BEAUTY PLATE

Dimension of Beauty Plate is approximately 26" square.

STEP 1:

Place Beauty Plate over luminaire. Secure luminaire to canopy referencing luminaire installation sheet.