

INSTALLATION INSTRUCTIONS TROFFER ASSEMBLY 1x4, 2x2, 2x4

| | | | |
|-------------|-----------------------|------|-----------|
| Document: | LPN00239X0001A2_A_ILS | Date | 2015-06-4 |
| Created By: | TMT | DCR# | 2015-194 |



INTEGRATED LIGHTING SOLUTIONS

CAUTIONS

IMPORTANT SAFEGUARDS

When using electrical equipment, basic safety precautions should always be followed including the following:

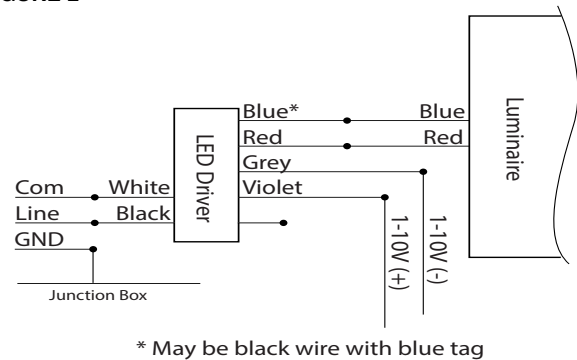
READ AND FOLLOW ALL SAFETY INSTRUCTIONS

- DANGER**- Risk of shock- Disconnect power before installation.
DANGER – Risque de choc – Couper l'alimentation avant l'installation.
- This luminaire must be installed in accordance with the NEC or your local electrical code. If you are not familiar with these codes and requirements, consult a qualified electrician.
Ce produit doit être installé conformément à NEC ou votre code électrique local. Si vous n'êtes pas familier avec ces codes et ces exigences, veuillez contacter un électricien qualifié.
- Wait until fixture has cooled down before installing or servicing the fixture.
- MIN. 90C SUPPLY CONDUCTORS. LES FILS D'ALIMENTATION 90C MIN.

SAVE THESE INSTRUCTIONS FOR FUTURE REFERENCE

- Place the fixture into the T-bar ceiling panel. Secure to grid per state and local codes.
- Connect wiring as shown in **Figure 2**. Grey and violet wires are for 0 - 10V dimming systems. Cap off if not used.
- Reattach cover of Junction Box and secure with two screws.
- Turn power on and verify that the panel is lit.

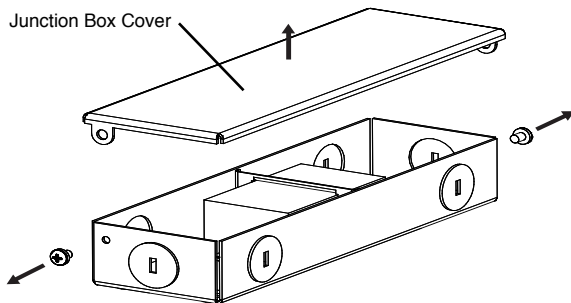
FIGURE 2



INSTALLATION

- Carefully unpack the fixture from its packaging. Inspect product for defects due to shipping.
- Remove cover from Power Supply/Junction Box, located on the side of the fixture, by removing two screws. See **Figure 1**.

FIGURE 1



- Locate desired positioning for the fixture in ceiling grid.
- Turn off power to appropriate circuit at the breaker box.