

# VG Series

LED Vehicle Garage Luminaire

## Product Description

Cree VG Series parking garage luminaires are designed to deliver optimal, low glare illumination by intelligently combining an in-house designed optical system consisting of indirect view LEDs, a highly efficient internal reflector and a precisely designed optical lens. Architectural design, quick and easy installation and low total cost of ownership makes the VG Series ideal for both new and existing parking garages.

**Applications:** Parking structures

## Performance Summary

<b>Initial Delivered Lumens:</b> 3,710-3,870 lumens
<b>Input Power:</b> 50 watts
Made in the U.S.A. of U.S. and imported parts
<b>CRI:</b> Minimum 70 CRI
<b>CCT:</b> 4000K (+/- 300K), 5700K (+/- 500K)
<b>Limited Warranty*:</b> 10 years on luminaire/10 years on Colorfast DeltaGuard® finish

\*See <http://lighting.cree.com/warranty> for warranty terms

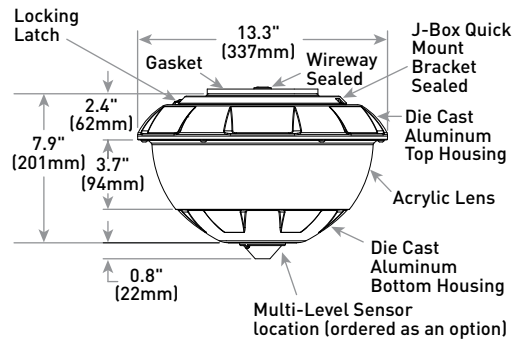
## Accessories

Field-Installed		
<b>Bird Shroud</b> VG-BS*	<b>Perimeter Shroud</b> VG-PSSV	<b>Hand-Held Remote</b> XA-SENSREM - For successful implementation of the programmable multi-level option, a minimum of one hand-held remote is required

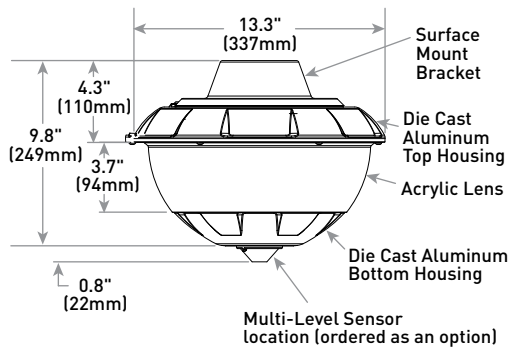
\* Must specify finish color. Not available with JB mount



### JB Mount



### DM Mount



Weight
14.5 lbs. (6.6kg)

## Ordering Information

Example: VG-A-DM-5M-A-40K-UL-BK

VG	A			A		UL		
Product	Version	Mounting	Optic	Input Power Designator	CCT	Voltage	Color Options	Options
VG Vehicle Garage Series	A	DM Surface Direct JB J-Box PD Pendant	5M Type V Medium 5W Type V Wide	A 50W	40K 4000K 57K 5700K	UL Universal 120-277V	BK Black BZ Bronze SV Silver WH White	ML <b>Multi-Level</b> - Refer to ML spec sheet for details PML <b>Programmable Multi-Level</b> - Refer to <a href="#">PML spec sheet</a> for details



US: [lighting.cree.com](http://lighting.cree.com)

T (800) 236-6800 F (262) 504-5415

Rev. Date: V3 09/06/2017

Canada: [www.cree.com/canada](http://www.cree.com/canada)



T (800) 473-1234 F (800) 890-7507

**Product Specifications**

**OPTICAL SYSTEM**

- Indirect LED array eliminates direct view of highly efficient LEDs
- Precision engineered optical lens provides maximum low glare light distribution
- Internal white or specular optical reflectors provides choices of Type V Medium or Type V Wide distribution
- Comprehensive optical system provides consistent uniformity

**CONSTRUCTION & MATERIALS**

- Direct mount provided with factory-installed 3' (0.9m) power cord; plug by others
- Direct mount provided with mounting bracket that secures to any suitable surface appropriate for supporting luminaire
- J-Box mount provided with mounting bracket designed to mount directly over existing 4" (102mm) square, rectangular, or octagonal junction boxes only
- Pendant mount includes 66" (1,676mm) wires out of luminaire and is intended to be mounted by 3/4" IP pendant (by others)
- Low profile, lightweight design provides ease of installation
- Constructed of rugged die cast aluminum with integral, weathertight LED driver compartment and high performance heat sink
- Exclusive Colorfast DeltaGuard® finish features an E-Coat epoxy primer with an ultra-durable powder topcoat providing excellent resistance to corrosion, ultraviolet degradation and abrasion. Black, bronze, silver, and white are available
- **Weight:** See Weight Chart on pages 1 and 2

**ELECTRICAL SYSTEM**

- **Input Voltage:** 120-277V, 50/60Hz, Class 2 drivers
- **Power Factor:** > 0.9 at full load
- **Operating Temperature Range:** -40°C - +40°C (-40°F - +104°F)
- **Total Harmonic Distortion:** < 20% at full load
- Integral 6kV surge suppression protection standard
- To address inrush current, slow blow fuse or type C/D breaker should be used

**REGULATORY & VOLUNTARY QUALIFICATIONS**

- cULus Listed
- Suitable for wet locations
- Meets FCC Part 15, Subpart B, Class A standards for conducted and radiated emissions
- Enclosure rated IP66 per IEC 60529
- 6kV surge suppression protection tested in accordance with IEEE/ANSI C62.41.2
- Meets Buy American requirements within ARRA
- RoHS compliant. Consult factory for additional details

Electrical Data*					
Input Power Designator	System Watts 120-277V	Total Current (A)			
		120V	208V	240V	277V
A	50	0.43	0.25	0.22	0.19

\* Electrical data at 25°C (77°F). Actual wattage may differ by +/- 10% when operating between 120-277V +/- 10%

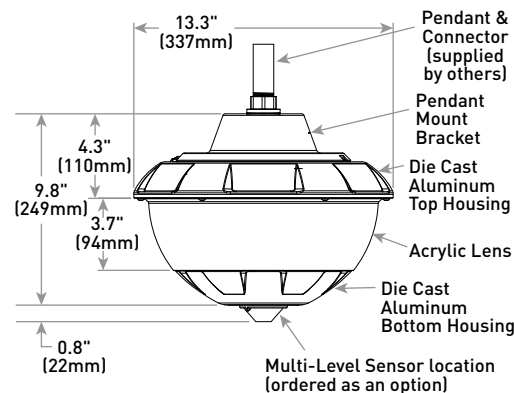
Recommended VG Series Lumen Maintenance Factors (LMF) <sup>1</sup>					
Ambient	Initial LMF	25K hr Projected <sup>2</sup> LMF	50K hr Projected <sup>2</sup> LMF	75K hr Calculated <sup>3</sup> LMF	100K hr Calculated <sup>3</sup> LMF
5°C (41°F)	1.04	0.99	0.97	0.95	0.93
10°C (50°F)	1.03	0.98	0.96	0.94	0.92
15°C (59°F)	1.02	0.97	0.95	0.93	0.91
20°C (68°F)	1.01	0.96	0.94	0.92	0.90
25°C (77°F)	1.00	0.95	0.93	0.91	0.89

<sup>1</sup> Lumen maintenance values at 25°C are calculated per TM-21 based on LM-80 data and in-situ luminaire testing

<sup>2</sup> In accordance with IESNA TM-21-11, Projected Values represent interpolated value based on time durations that are within six times (6X) the IESNA LM-80-08 total test duration (in hours) for the device under testing (DUT) i.e. the packaged LED chip

<sup>3</sup> In accordance with IESNA TM-21-11, Calculated Values represent time durations that exceed six times (6X) the IESNA LM-80-08 total test duration (in hours) for the device under testing (DUT) i.e. the packaged LED chip

**PD Mount**

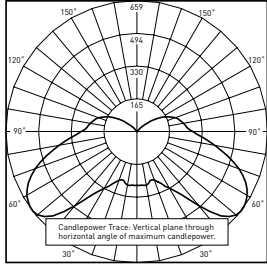


Weight
14.5 lbs. (6.6kg)

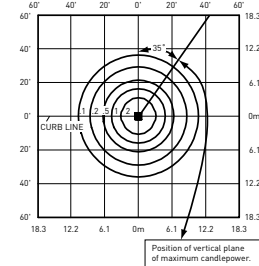
**Photometry**

All published luminaire photometric testing performed to IESNA LM-79-08 standards by a NVLAP accredited laboratory. To obtain an IES file specific to your project consult: <http://lighting.cree.com/products/outdoor/parking-structure/vg-series>

**5M**



ITL Test Report #: 78019  
 VG-A-\*\*-5M-A-40K-UL  
 Initial Delivered Lumens: 3,776



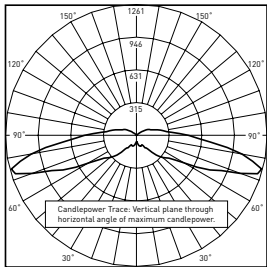
VG-A-\*\*-5M-A-40K-UL  
 Mounting Height: 10' (3.0m) A.F.G.  
 Initial Delivered Lumens: 3,710  
 Initial FC at grade

Type V Medium Distribution				
Input Power Designator	4000K		5700K	
	Initial Delivered Lumens*	BUG Ratings** Per TM-15-11	Initial Delivered Lumens*	BUG Ratings** Per TM-15-11
A	3,710	B2 U4 G2	3,820	B2 U4 G2

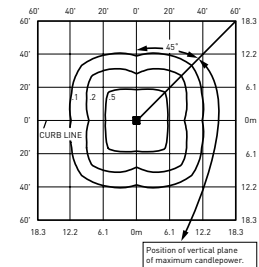
\* Initial delivered lumens at 25°C (77°F). Actual production yield may vary between -10 and +10% of initial delivered lumens

\*\* For more information on the IES BUG (Backlight-Uplight-Glare) Rating visit: <https://www.ies.org/wp-content/uploads/2017/03/TM-15-11BUGRatingsAddendum.pdf>

**5W**



CESTL Test Report #: 2013-0219  
 VG-A-\*\*-5W-A-40K-UL  
 Initial Delivered Lumens: 3,769



VG-A-\*\*-5W-A-40K-UL  
 Mounting Height: 10' (3.0m) A.F.G.  
 Initial Delivered Lumens: 3,760  
 Initial FC at grade

Type V Wide Distribution				
Input Power Designator	4000K		5700K	
	Initial Delivered Lumens*	BUG Ratings** Per TM-15-11	Initial Delivered Lumens*	BUG Ratings** Per TM-15-11
A	3,760	B2 U4 G3	3,870	B2 U4 G3

\* Initial delivered lumens at 25°C (77°F). Actual production yield may vary between -10 and +10% of initial delivered lumens

\*\* For more information on the IES BUG (Backlight-Uplight-Glare) Rating visit: <https://www.ies.org/wp-content/uploads/2017/03/TM-15-11BUGRatingsAddendum.pdf>