

# Cree Edge™ Series

LED Parking Structure Luminaire

## Product Description

Slim, low profile design. Luminaire is constructed from rugged extruded aluminum, die cast aluminum and stamped metal components. LED driver is mounted in extruded aluminum fixture and sealed for weathertight operation. High performance aluminum heat sinks specifically designed for LED parking structure applications. Corrosion resistant wire guard provides anti-fouling protection from leaf/debris and animal nesting to assure cool LED operation. Direct mounting bracket designed to mount directly over existing single gang and octagonal junction boxes for direct mount. Pendant mount includes 5' (1.5m) cord out of the luminaire and is intended to be mounted by 3/4" (29mm) IP pendant (by others).

**Applications:** Parking structures and low-medium bay general lighting

## Performance Summary

Patented NanoOptic® Product Technology

Assembled in the U.S.A. of U.S. and imported parts

**CRI:** Minimum 70 CRI

**CCT:** 4000K (+/- 300K), 5700K (+/- 500K) standard

**Limited Warranty\*:** 10 years on luminaire/10 years on Colorfast DeltaGuard® finish

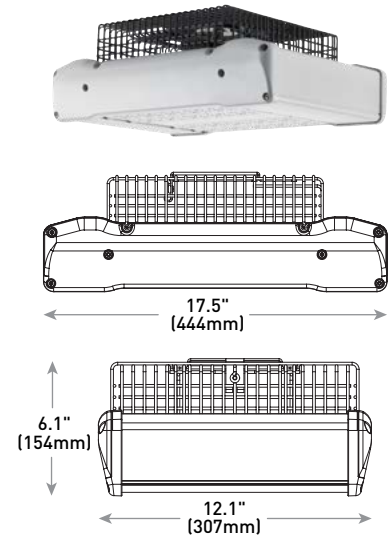
† See <http://lighting.cree.com/warranty> for warranty terms

## Accessories

Field-Installed	
<b>Pendant Mount Accessories</b>	<b>Pendant Fitting**</b>
<b>Bird Spikes</b> XA-BRDSPK	XA-PSFTG
<b>Bird Shroud</b> XA-BRDGRD	<b>Pendant Kit**</b>
<b>Leveler</b> XA-PNDTLVL** - For 0-13° sloped ceilings	XA-PS12KIT - 12" (305mm)
	XA-PS18KIT - 18" (457mm)
	XA-PS22KIT - 22" (559mm)
	<b>NOTE:</b> Pendant height to bottom of luminaire; mounting accessories or surface boxes will add to overall height

\*\*Must specify color

## DM Mount



LED Count (x10)	Weight
04	19.0 lbs. (8.6kg)
06	20.5 lbs. (9.2kg)
08	22.0 lbs. (9.9kg)
10	27.0 lbs. (12.2kg)

## Ordering Information

Example: PKG-EDG-5M-DM-04-E-UL-SV-350

PKG-EDG	Optic	Mounting	LED Count (x10)	Series	Voltage	Color Options	Drive Current	Options
PKG-EDG	5M Type V Medium 70 70° Flood	DM Direct PD Pendant	04* 06* 08* 10	E	UL Universal 120-277V	SV Silver WH White	350 350mA 525 525mA 700 700mA - Available with 40-60 LEDs	40K 4000K Color Temperature - Minimum 70 CRI - Color temperature per luminaire

\* Consists of multiple 20 LED lightbars, 40, 60, and 80 LED units use blanks as needed in place of populated light bars



US: [lighting.cree.com](http://lighting.cree.com)

T (800) 236-6800 F (262) 504-5415

Rev. Date: V6 10/29/2018

Canada: [www.cree.com/canada](http://www.cree.com/canada)



T (800) 473-1234 F (800) 890-7507

## Product Specifications

### CONSTRUCTION & MATERIALS

- Slim, low profile design
- Luminaire is constructed from rugged extruded aluminum, die cast aluminum, and stamped metal components
- LED driver is mounted in extruded aluminum fixture end and sealed for weathertight operation
- High performance heat sinks specifically designed for LED parking structure applications
- Corrosion resistant wire guard provides anti-fouling protection from leaf/debris and animal nesting to assure cool LED operation
- Direct mounting bracket designed to mount directly over existing single gang and octagonal junction boxes for direct mount
- Pendant mount includes 5' (1.5m) cord out of luminaire and is intended to be mounted by 3/4" (29mm) IP pendant (by others)
- Exclusive Colorfast DeltaGuard® finish features an E-Coat epoxy primer with an ultradurable powder topcoat, providing excellent resistance to corrosion, ultraviolet degradation and abrasion. Silver and white are available
- **Weight:** See Weight Chart on pages 1 and 4

### ELECTRICAL SYSTEM

- **Input Voltage:** 120-277V, 50/60Hz, Class 1 drivers
- **Power Factor:** > 0.9 at full load
- **Total Harmonic Distortion:** < 20% at full load
- Integral 10kV surge suppression protection standard
- When code dictates fusing, a slow blow fuse or type C/D breaker should be used to address inrush current

### REGULATORY & VOLUNTARY QUALIFICATIONS

- cULus Listed
- Suitable for wet locations
- 10kV surge suppression protection tested in accordance with IEEE/ANSI C62.41.2
- Luminaire and finish endurance tested to withstand 5,000 hours of elevated ambient salt fog conditions as defined in ASTM Standard B 117
- DLC qualified with select SKUs. Refer to <https://www.designlights.org/search/> for most current information
- Meets Buy American requirements within ARRA
- Meets FCC Part 15, Subpart B, Class A standards for conducted and radiated emissions
- **CA RESIDENTS WARNING:** Cancer and Reproductive Harm – [www.p65warnings.ca.gov](http://www.p65warnings.ca.gov)

Electrical Data*					
LED Count (x10)	System Watts 120-277V	Total Current (A)			
		120V	208V	240V	277V
350mA					
04	46	0.36	0.23	0.21	0.20
06	66	0.52	0.31	0.28	0.26
08	90	0.75	0.44	0.38	0.34
10	110	0.92	0.53	0.47	0.41
525mA					
04	70	0.58	0.34	0.31	0.28
06	101	0.84	0.49	0.43	0.38
08	133	1.13	0.66	0.58	0.51
10	171	1.43	0.83	0.74	0.66
700mA					
04	93	0.78	0.46	0.40	0.36
06	134	1.14	0.65	0.57	0.50

\* Electrical data at 25°C (77°F). Actual wattage may differ by +/- 10% when operating between 120-277V +/- 10%

Cree Edge™ Series Ambient Adjusted Lumen Maintenance <sup>1</sup>					
Ambient	Initial LMF	25K hr Projected <sup>2</sup> LMF	50K hr Projected <sup>2</sup> LMF	75K hr Calculated <sup>3</sup> LMF	100K hr Calculated <sup>3</sup> LMF
5°C (41°F)	1.04	1.01	0.99	0.98	0.96
10°C (50°F)	1.03	1.00	0.98	0.97	0.95
15°C (59°F)	1.02	0.99	0.97	0.96	0.94
20°C (68°F)	1.01	0.98	0.96	0.95	0.93
25°C (77°F)	1.00	0.97	0.95	0.94	0.92

<sup>1</sup> Lumen maintenance values at 25°C are calculated per TM-21 based on LM-80 data and in-situ luminaire testing. Luminaire ambient temperature factors (LATF) have been applied to all lumen maintenance factors. Please refer to the [Temperature Zone Reference Document](#) for outdoor average nighttime ambient conditions

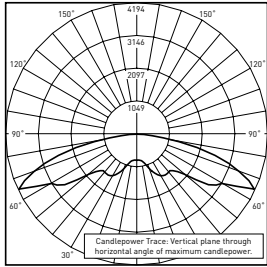
<sup>2</sup> In accordance with IESNA TM-21-11, Projected Values represent interpolated value based on time durations that are within six times (6X) the IESNA LM-80-08 total test duration (in hours) for the device under testing (DUT) i.e. the packaged LED chip

<sup>3</sup> In accordance with IESNA TM-21-11, Calculated Values represent time durations that exceed six times (6X) the IESNA LM-80-08 total test duration (in hours) for the device under testing (DUT) i.e. the packaged LED chip

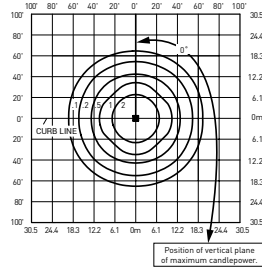
**Photometry**

All published luminaire photometric testing performed to IESNA LM-79-08 standards by a NVLAP accredited laboratory. To obtain an IES file specific to your project consult: <http://lighting.cree.com/products/outdoor/parking-structure/cree-edge-series-3>

**5M**



ITL Test Report #: 79229  
 PKG-EDG-5M-\*\*-06-E-UL-700-40K  
 Initial Delivered Lumens: 12,906



PKG-EDG-5M-\*\*-06-E-UL-700-40K  
 Mounting Height: 10' (3.0m) A.F.G.  
 Initial Delivered Lumens: 11,405  
 Initial FC at grade

Type V Medium Distribution				
LED Count (x10)	4000K		5700K	
	Initial Delivered Lumens*	BUG Ratings** Per TM 15 11	Initial Delivered Lumens*	BUG Ratings** Per TM 15 11
<b>350mA</b>				
04	5,262	B3 U0 G1	5,367	B3 U0 G1
06	7,804	B3 U0 G2	7,958	B3 U0 G2
08	10,405	B4 U0 G2	10,611	B4 U0 G2
10	12,975	B4 U0 G2	13,232	B4 U0 G2
<b>525mA</b>				
04	7,468	B3 U0 G2	7,625	B3 U0 G2
06	11,074	B4 U0 G2	11,306	B4 U0 G2
08	14,766	B4 U0 G2	15,075	B4 U0 G3
10	18,413	B4 U0 G3	18,799	B4 U0 G3
<b>700mA</b>				
04	8,814	B3 U0 G2	8,993	B3 U0 G2
06	13,070	B4 U0 G2	13,336	B4 U0 G2

\* Initial delivered lumens at 25°C (77°F). Actual production yield may vary between -10 and +10% of initial delivered lumens

\*\* For more information on the IES BUG (Backlight-Uplight-Glare) Rating visit: <https://www.ies.org/wp-content/uploads/2017/03/TM-15-11BUGRatingsAddendum.pdf>

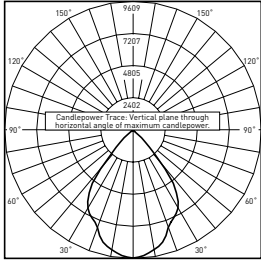


# Cree Edge™ LED Parking Structure Luminaire

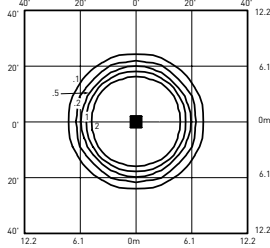
## Photometry

All published luminaire photometric testing performed to IESNA LM-79-08 standards by a NVLAP accredited laboratory. To obtain an IES file specific to your project consult: <http://lighting.cree.com/products/outdoor/parking-structure/cree-edge-series-3>

70°



ITL Test Report #: 79571  
CAN-EDG-70-\*\*-06-E-UL-700-40K  
Initial Delivered Lumens: 12,631

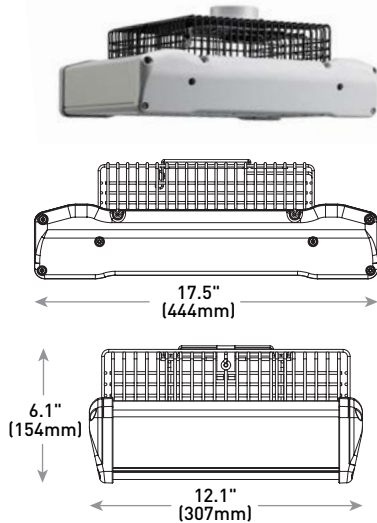


PKG-EDG-70-\*\*-06-E-UL-700-40K  
Mounting Height: 15' (4.6m) A.F.G.  
Initial Delivered Lumens: 11,546  
Initial FC at grade

70° Flood Distribution		
LED Count (x10)	4000K	5700K
	Initial Delivered Lumens*	
350mA		
04	5,327	5,433
06	7,900	8,056
08	10,533	10,742
10	13,135	13,395
525mA		
04	7,560	7,719
06	11,211	11,446
08	14,948	15,261
10	18,640	19,031
700mA		
04	8,923	9,104
06	13,232	13,501

\* Initial delivered lumens at 25°C (77°F). Actual production yield may vary between -10 and +10% of initial delivered lumens

## PD Mount



LED Count (x10)	Weight
04	19.0 lbs. (8.6kg)
06	20.5 lbs. (9.2kg)
08	22.0 lbs. (9.9kg)
10	27.0 lbs. (12.2kg)