

A21 Series

3-Way LED Lamps

Product Description

At Cree®, we believe in better lighting. Better light is beautiful light. But it's more than just beautiful. It is light that makes you feel more productive, more relaxed and safer. Better light changes everything. That's why the new and improved Cree LED bulbs feature high color rendering that enhances your space and makes the colors of your décor appear vibrant, richer and more natural – true colors the way they are meant to be experienced.

The Cree® 3-Way LED bulb delivers three distinct levels of beautiful, soft white 2700K incandescent-like light. The Cree 3-Way LED bulb looks and lights like a traditional 3-Way incandescent bulb, but uses up to 90% less energy and is designed to last 25 times longer. Delivering 320, 820, and 1,650 lumens (30W/60W/100W replacement), each step of light output is distinct and visible to the naked eye. Plus, unlike traditional incandescent 3-Ways, you can use the Cree 3-Way LED bulb in any orientation.

Performance Summary

Lamp Delivered Light Output: 320 lumens/820 lumens/1620 lumens

Input Power: 3.0/7.0/16.5 watts (30/60/100W equivalent)

CRI: 85

CCT: 2700K

Limited Warranty¹: 5 years Commercial use

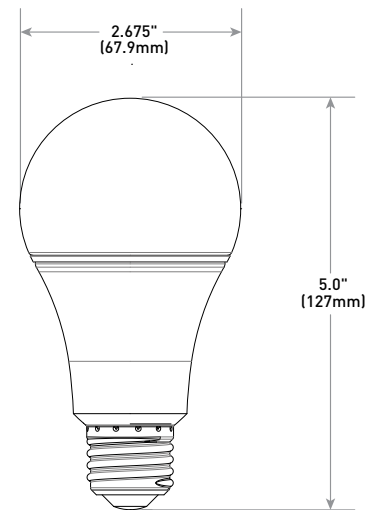
Lifetime: Designed to last at least 25,000 hours

Dimming: For use in 3-way light fixtures (non-dimmable)

ENERGY STAR® Certified

Must order in multiples of master carton (MC) quantities; MC = (20) Single-Lamp Cartons

¹See <http://lighting.cree.com/warranty> for warranty terms



Ordering Information

Example: A21-100W-3WY-27K-U1

A21	100W	3WY	27K				U1
Product	Watt Equivalent	3-Way	CCT	Voltage	Base	CRI	Packaging Options
A21	100W 30/60/100 Watt, 320/820/1,650 lumens	3WY 3-Way bulb	27K 2700K	Blank 120 Volt	Blank E26 (screw base)	Blank 85	U1 Single-Lamp Carton Master Carton = (20) Single-Lamp Cartons



US: lighting.cree.com

T (800) 236-6800 F (262) 504-5415

Rev. Date: V4 05/01/2017

Canada: www.cree.com/canada



T (800) 473-1234 F (800) 890-7507

A-21 Series 3-Way LED Lamps

Product Specifications

CONSTRUCTION & MATERIALS

- A-type bulb design weighs 7.4 ounces (209g)
- Bulb meets ANSI standards for A21 dimensions
- Uses a standard E26 screw base
- Mercury free
- **Dimensions:** 5.0" H x 2.65" W x 2.65" D (Single-Lamp Carton); 5.65" H x 11.5" W x 14.0" D (Master Carton)

OPTICAL SYSTEM

- Omnidirectional light distribution
- Plastic globe offers increased optical spread

ELECTRICAL SYSTEM

- **Power Factor:** > 0.9 nominal
- **Input Voltage:** 120V, 60Hz
- **Dimming:** For use in 3-way light fixtures (non-dimmable)
- **Operating Temperature Range:** -25°C - +45°C (-13°F - +113°F)

REGULATORY & VOLUNTARY QUALIFICATIONS

- cULus Listed
- Suitable for damp locations, but not for use where exposed directly to weather or water
- Do not use in enclosed fixtures or recessed cans
- Meets FCC Part 15, Subpart B, Class B standards for conducted and radiated emissions
- ENERGY STAR® certified. Please refer to <http://www.energystar.gov/productfinder/product/certified-light-bulbs/results> for most current information

A21-100W-3WY-27K-U1

- RoHS compliant. Consult factory for additional details

Packaging

(20) Single-Lamp Cartons in Master Carton (20 Total Lamps)



Ordering Number	Single-Lamp Carton UPC	Description	Bulb Type	Watts	CCT	Single-Lamp Cartons per Master Carton	Master Carton ITF-14	Total Lamps per Master Carton	Master Cartons per Pallet Qty	CRI	Lumens	Rated Life (Hrs)
A21-100W-3WY-27K-U1	849665017592	30/60/100W Soft White A21 3-Way Equivalent. For use in 3-way light fixtures (non-dimmable)	A21	3.0/7.0/16.5	2700K	20	10849665017599	20	88	85	320/820/1,650	25,000