

INSTALLATION INSTRUCTIONS

IMPORTANT SAFEGUARDS

When using electrical equipment, basic safety precautions should always be followed including the following:

READ AND FOLLOW ALL SAFETY INSTRUCTIONS

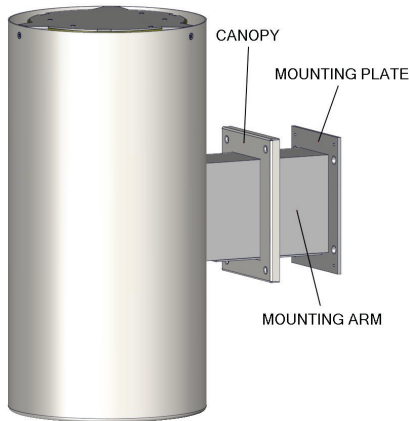
1. To avoid the possibility of electrical shock, turn off power supply before installation or servicing.
2. When closing cover of fixture, ensure all wires are inside the housing to avoid damage to wires.
3. This product must be installed in accordance with the applicable installation code by a person familiar with the construction and operation of the product and the hazards involved.
4. **IMPORTANT:** Damage to luminaire will result when improper voltage is applied. Verify luminaire is suitable for supply voltage by checking electrical label on luminaire.

SAVE THESE INSTRUCTIONS FOR FUTURE REFERENCE

WALL MOUNT

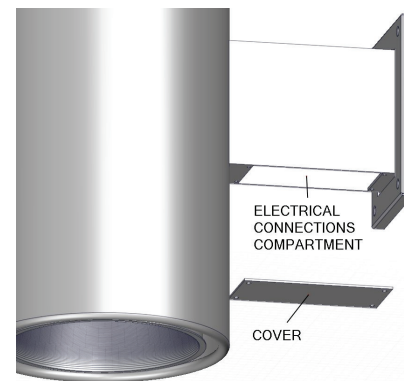
1. Remove the (4) screws securing the canopy to the mounting plate and slide the canopy over the arm to access the mounting holes. See **Figure 1**.

Figure 1



2. Align the mounting plate over the installed junction box and route the supply wires through the access hole located in the center of the mounting plate.
3. Using (4) customer supplied mechanical fasteners suitable for the intended mounting surface; secure the mounting plate over the installed junction box.
4. Replace the canopy over the mounting plate and secure with the (4) screws removed in step 1.
5. On the bottom surface or the Mounting Arm, remove the (4) screws securing the cover to access the Electrical Connections compartment. See **Figure 2**.

Figure 2



6. See "Electrical Connections" for wiring instruction.
7. After electrical connections are complete, replace the cover removed in step 4 ensuring that no wires are pinched.

STANDARD ELECTRICAL CONNECTIONS - PHASE TO NEUTRAL 120-277V

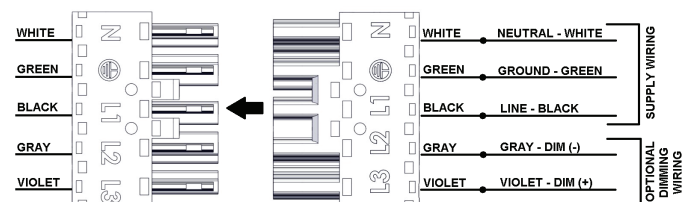
1. Using the supplied wiring harness, connect the supply wire to the supply harness wires using the provided wire connectors.

NOTE: The ground wires that are attached to the Electrical Connections Compartment Cover and to the inside of the mounting arm need to be connected to the Supply Ground wire using the provided wire connector.

2. If luminaire has 0-10V Dimming Option, connect the Violet Dim (+) and Gray Dim (-) leads.
3. Connect the fixture and supply harnesses. See **Figure 3**.

Figure 3

STANDARD FIXTURE WIRING - 120/277V



STANDARD ELECTRICAL CONNECTIONS - PHASE TO PHASE 208, 240V

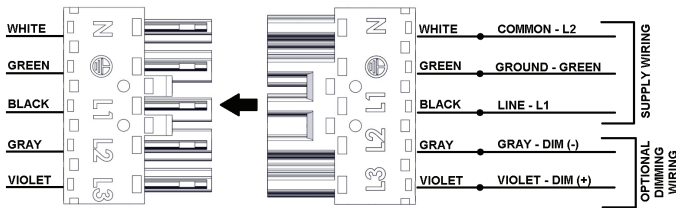
- Using the supplied wiring harness, connect the supply wire to the supply harness wires using the provided wire connectors.

NOTE: The ground wires that are attached to the Electrical Connections Compartment Cover and to the inside of the mounting arm need to be connected to the Supply Ground wire using the provided wire connector.

- If luminaire has 0-10V Dimming Option, connect the Violet Dim (+) and Gray Dim (-) leads.
- Connect the fixture and supply harnesses. See **Figure 4**.

Figure 4

PHASE TO PHASE FIXTURE WIRING - 208/240V



UTRON ELECTRICAL CONNECTIONS - 3-WIRE DIMMING

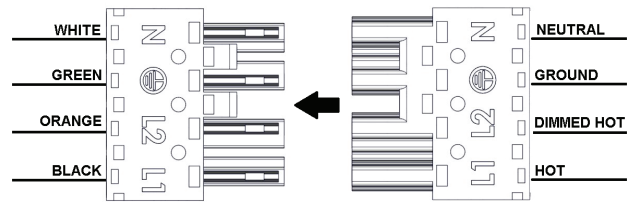
- Using the supplied wiring harness, connect the supply wire to the supply harness wires using the provided wire connectors.

NOTE: The ground wires that are attached to the Electrical Connections Compartment Cover and to the inside of the mounting arm need to be connected to the Supply Ground wire using the provided wire connector.

- See **Figure 6**.
- Connect the supply side connector to the fixture wiring connector.

Figure 6

LUTRON 3-WIRE DIMMING CONTROL



LUTRON ELECTRICAL CONNECTIONS - ECOSYSTEM DIGITAL DIMMING

- Using the supplied wiring harness, connect the supply wire to the supply harness wires using the provided wire connectors.

NOTE: The ground wires that are attached to the Electrical Connections Compartment Cover and to the inside of the mounting arm need to be connected to the Supply Ground wire using the provided wire connector.

- Connect the fixture and supply harnesses. See **Figure 5**.

Figure 5

LUTRON ECOSYSTEM DIGITAL DIMMING CONTROL

