

IMPORTANT SAFEGUARDS

When using electrical equipment, basic safety precautions should always be followed including the following:

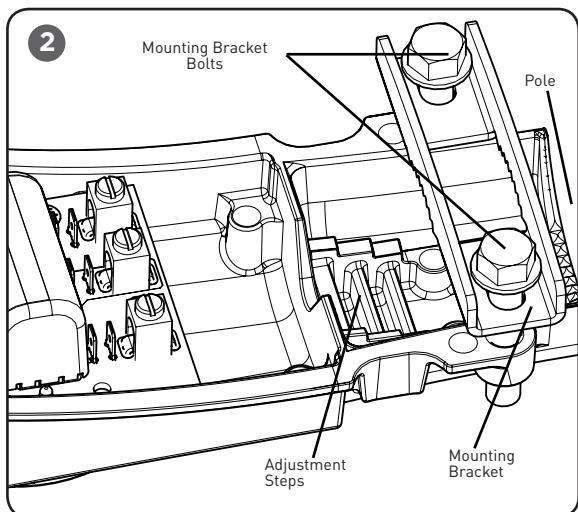
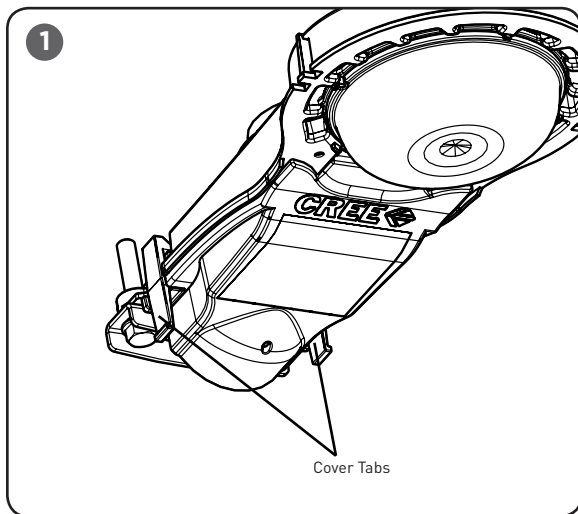
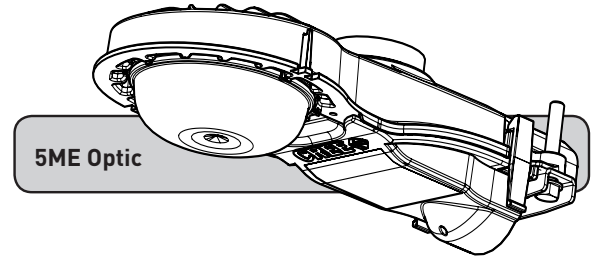
READ AND FOLLOW ALL SAFETY INSTRUCTIONS

- 1. DANGER-** Risk of shock- Disconnect power before installation.
DANGER – Risque de choc – Couper l'alimentation avant l'installation.
- This luminaire must be installed in accordance with the NEC or your local electrical code. If you are not familiar with these codes and requirements, consult a qualified electrician.
Ce produit doit être installé conformément à NEC ou votre code électrique local. Si vous n'êtes pas familier avec ces codes et ces exigences, veuillez contacter un électricien qualifié.
- If NEMA photo control is installed refer to NEMA® Receptacle section for instructions.
- If mounting bolts are completely removed in the field they should be hand threaded (prior to use of power tools) to ensure proper engagement of the thread when re-installing. Failure to pre-start threads may result in cross-threading or stripping of the bolts during reinstallation.

SAVE THESE INSTRUCTIONS FOR FUTURE REFERENCE

TO INSTALL:

INSTALLATION INSTRUCTIONS
INSTRUCTIONS D'INSTALLATION



LUMINAIRE INSTALLATION

STEP 1:

To open cover, press tabs on both sides of the cover and carefully let the cover swing down. See **Figure 1**.

STEP 2:

Slide fixture on to a 1.66" O.D. or 2.38" O.D. pole tenon or mast arm through opening on the rear of housing. See **Figure 2**.

STEP 3:

Adjust leveling of fixture from side to side. To level from front to back, slide pole to different Adjustment Steps in housing. Each step changes the angle in 2.5° degree increments.

STEP 4:

Once desired position is achieved, use 9/16" socket wrench to tighten mounting bolts to 150 in-lbs torque See **Figure 2**.

STEP 5:

IMPORTANT - DO NOT exceed 300 in-lbs torque on the mount bolts. Exceeding recommended torque value resulting in excessive deformation of mounting bracket will cause stripping of mount hardware which could lead to an unsafe mounting condition.

STEP 6:

Reference **Electrical Connections** section for completing electrical connections.

NOTE: Refer to chart below for torque values for the screws on the terminal block.

STEP 7:

If luminaire has a cord, route the cord down through the pole and make electrical connections to customer supplied junction box.

Wire Size (AWG)	Assigned Torque Value for Screws	
	AWG	In.-lbs.
2-14 Copper, 2-8 Aluminum	2-3	50
	4-6	45
	8	40
	10-14	35

NEMA® RECEPTACLE (OPTIONAL)

STEP 1:

DO NOT loosen/tighten torx screws for the NEMA® receptacle.

STEP 2:

Rotational adjustment of the photo control is tool-less.

STEP 3:

Engage/install photo control into NEMA receptacle on top of the fixture.

STEP 4:

Firmly rotate photo-control with its photo-eye approximately in the 'N' north direction. Some photo-controls operate best somewhere between NW and NE.

ELECTRICAL CONNECTIONS

PHASE TO NEUTRAL WIRING

STEP 1:

Make the following Electrical Connections to the terminal block:

- Connect the black fixture lead to the voltage supply position of the terminal block.
- Connect the white fixture lead to the neutral supply position of the terminal block.
- Connect the green or green/yellow ground lead to the green wire position of the terminal block.

STEP 2:

Push excess supply wires into pole.

STEP 3:

Close cover, making sure that no wires are pinched and latches are fully engaged.

