

### IMPORTANT SAFEGUARDS

When using electrical equipment, basic safety precautions should always be followed including the following:

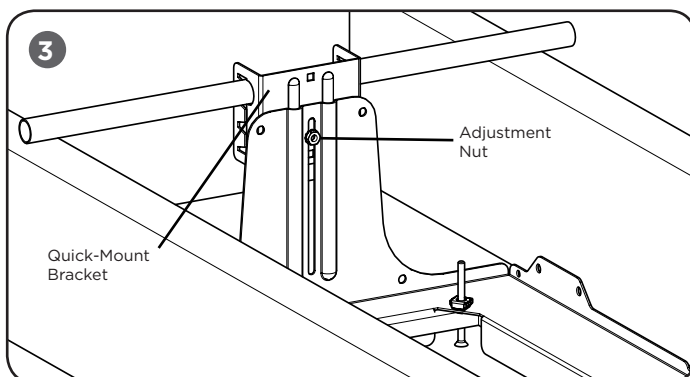
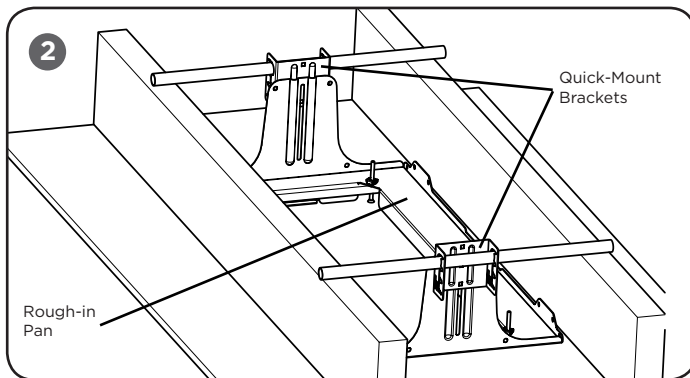
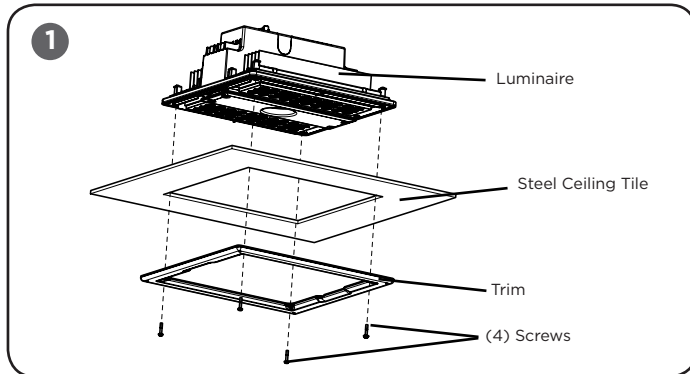
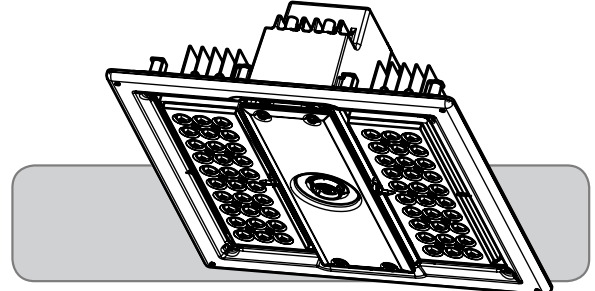
### READ AND FOLLOW ALL SAFETY INSTRUCTIONS

- 1. DANGER**- Risk of shock- Disconnect power before installation.  
*DANGER – Risque de choc – Couper l'alimentation avant l'installation.*
- This luminaire must be installed in accordance with the NEC or your local electrical code. If you are not familiar with these codes and requirements, consult a qualified electrician.  
*Ce produit doit être installé conformément à NEC ou votre code électrique local. Si vous n'êtes pas familier avec ces codes et ces exigences, veuillez contacter un électricien qualifié.*
- Mounting hole in the ceiling cannot exceed 14-1/4" by 16-1/4".
- To properly install this luminaire there must be a minimum of 2" flat area around the opening for the luminaire to sit on.
- Non-IC fixtures must not have insulation within 3" of the fixture. See product label.

### SAVE THESE INSTRUCTIONS FOR FUTURE REFERENCE

### TO INSTALL:

### INSTALLATION INSTRUCTIONS INSTRUCTIONS D'INSTALLATION



### CEILING TILE/RECESSED INSTALLATION

#### STEP 1:

Install steel ceiling tile with the luminaire resting on top of the ceiling tile (over the opening in the tile). See **Figure 1**.

#### STEP 2:

Make wiring connections per the **Electrical Connections** section.

#### STEP 3:

With the luminaire lined up correctly over the ceiling tile opening, install the trim frame to the luminaire below the ceiling with (4) supplied screws. See **Figure 1**.

### SOFFIT INSTALLATION

**NOTE:** Rough-in pan must be installed prior to ceiling being finished or must be installed in an accessible ceiling.

#### STEP 1:

Cut a 14"x16" opening in the soffit.

#### STEP 2:

Thread rigid conduit, bar stock, wire or C-channel (supplied by others) through quick-mount brackets at the sides of the rough-in pan. See **Figure 2**.

#### STEP 3:

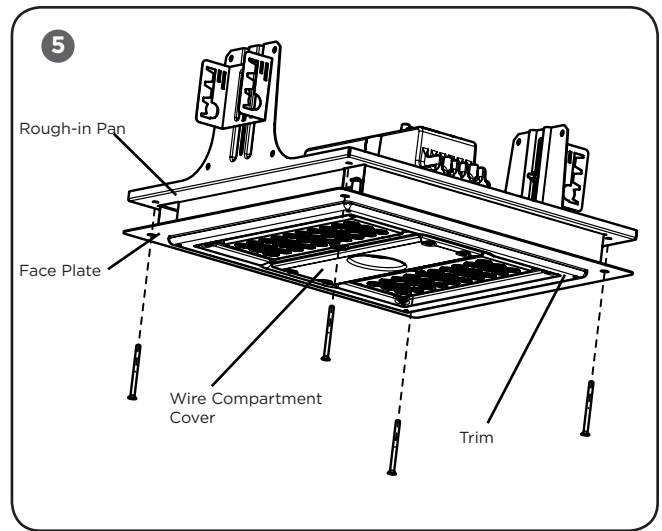
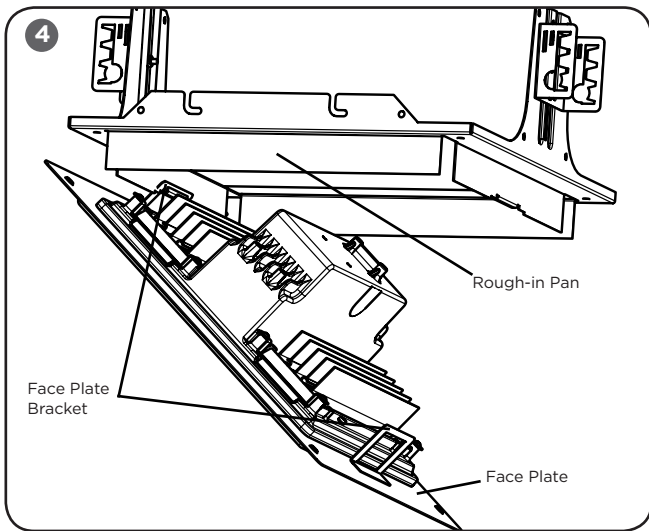
Attach mounting means to structure or other adequate support.

#### STEP 4:

Adjust mounting height by loosening adjustment nut, then position so that the bottom of the rough-in pan is flush with the bottom of the opening of the soffit. See **Figures 2 and 3**.

#### STEP 5:

Tighten adjustment nut when desired position is obtained



**STEP 6:**  
Place the luminaire inside the face plate and hang the bracket on the face plate from the rough-in pan. See **Figure 4**. Make wiring connections per the **Electrical Connections** section.

**STEP 7:**  
When properly wired, lift the luminaire into the opening and secure the face plate to the rough-in pan using (4) supplied screws provided. See **Figure 5**.

**STEP 8:**  
Attach the trim frame over the luminaire and secure using the (4) self retained screws provided.

## ELECTRICAL CONNECTIONS-

**STEP 1:**  
Verify that the supply voltage is within the luminaire's voltage rating. See fixture label.

**STEP 2:**  
Loosen the (4) screws securing the wiring compartment cover to the fixture and drop down the cover exposing the conduit openings. See **Figure 5**.

**STEP 3:**  
Remove the appropriate conduit fitting plug and feed the electrical supply wiring through the conduit fitting and into the luminaire wiring compartment.

**STEP 4:**  
Connect the supply wiring to the terminal block(s) as follows:

- Connect the black luminaire lead to the line supply lead marked "L" on the terminal block.
- Connect the white luminaire lead to the neutral supply lead marked "N" on the terminal block
- Connect the green or green/yellow ground lead to the supply ground lead marked "G" on the terminal block.

