

**INSTALLATION INSTRUCTIONS**

**IMPORTANT SAFEGUARDS**

When using electrical equipment, basic safety precautions should always be followed including the following:

**READ AND FOLLOW ALL SAFETY INSTRUCTIONS**

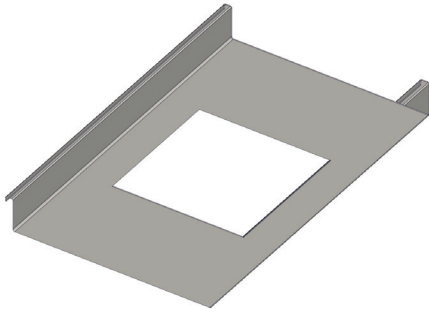
1. To reduce the risk of electrical shock, turn off power supply before installation or servicing.
2. This luminaire must be installed in accordance with the NEC and your local electrical code. If you are not familiar with these codes and requirements, consult a qualified electrician.
3. This luminaire must be supported by building structure that is capable of supporting luminaire weight.
4. This luminaire is not thermally protected. Do not install insulation within 3 inches (76 mm) of luminaire sides or wiring compartment nor above luminaire in such a manner as to entrap heat.
5. The standard luminaire is provided with an LED driver that can be operated at input voltages between 120V and 277V. Verify supply voltage before making any electrical connections.

**SAVE THESE INSTRUCTIONS FOR FUTURE REFERENCE**

**CANOPY PREPARATION**

1. Mark the location of the luminaire and cut a 12in. (30.5 cm) by 12in. (30.5 cm) opening in the canopy panel. See Figure 1.

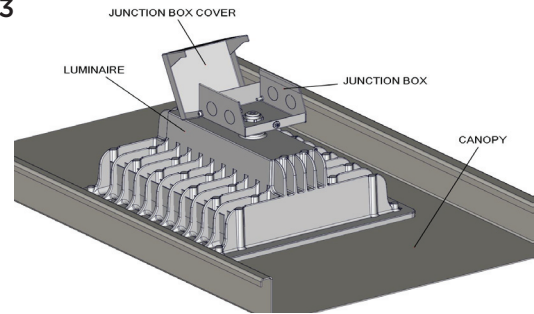
Figure 1



**ELECTRICAL CONNECTIONS**

1. Open the Junction Box Cover by loosening the screw and tipping the cover open. See Figure 3.

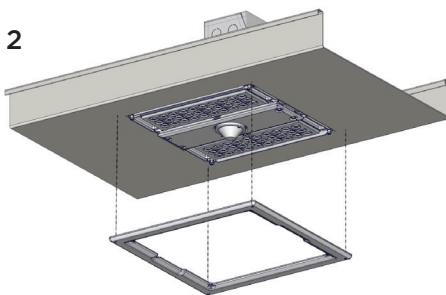
Figure 3



**LUMINAIRE INSTALLATION**

1. With the 2 retention clips rotated counterclockwise, slide luminaire diagonally through opening in canopy, and secure in opening by rotating the retention clips clockwise under the canopy panel.
2. Secure the luminaire to the canopy with the 4 screws provided.
3. Orient the depressions in the trim frame with the driver module cover and attach the trim frame to the luminaire via its 4 screws. See Figure 2.

Figure 2

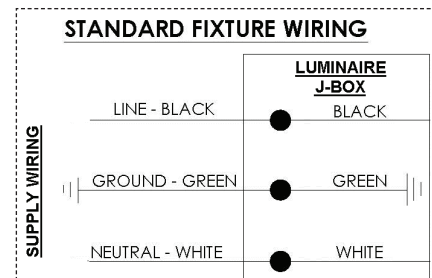


4. For Retrofit Applications: It is recommended that after installation sealant be applied around perimeter of fixture, on top of canopy, to assure seal integrity in older canopies that may have imperfections.

2. Remove the appropriate conduit knockout that will be suitable for the application and secure the customer supplied conduit to the junction box.
3. Feed the electrical supply wiring through the conduit fitting and into the Junction Box and make the following electrical connections.
4. Using customer supplied 90°C minimum rated wire connectors, make the following electrical connections. See Figure 4.

- a. Connect the black fixture lead to the voltage supply lead
- b. Connect the white fixture lead to the neutral supply lead
- c. Connect the green or green/yellow ground leads to the supply ground lead

Figure 4



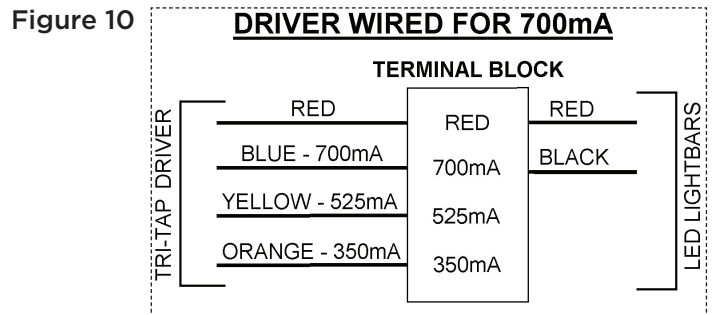
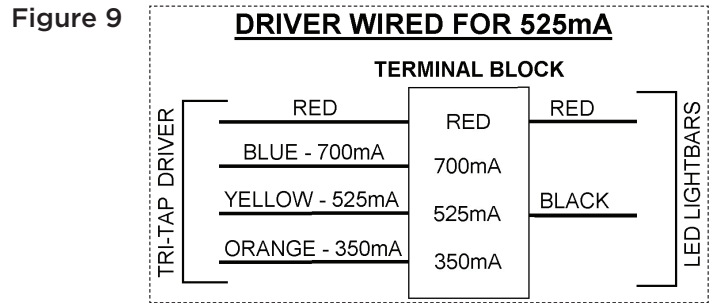
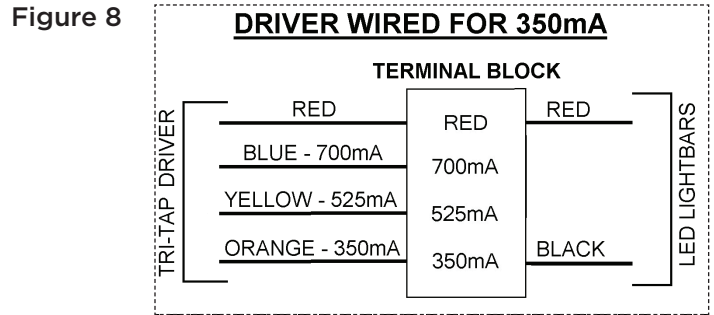
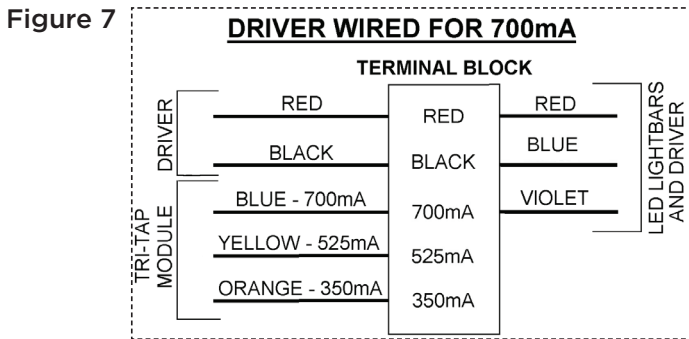
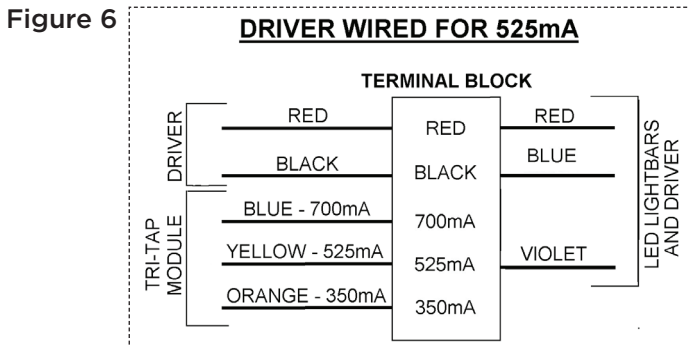
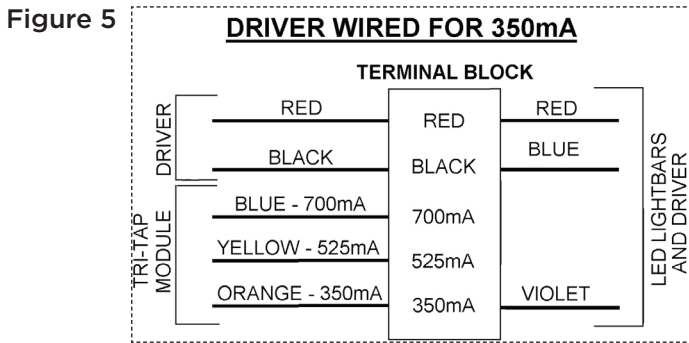
# OPTIONAL - ADJUSTING LIGHT OUTPUT

**CAUTION** - By switching the LED fixture to have more light output, the fixture will also have a greater amp draw. Refer to fixture label for the amp draw at 700 mA.

**NOTE:** It may be possible to switch the fixture in the field to obtain less or more light output. The fixture leaves the factory with the LED driver(s) wired at one of the following:

- 350mA = -U, -UH
- 525mA = -UC
- 700mA = -UD

For more or less light output, see the following diagrams below. See Figures 5-7 if the luminaire uses a Tri-Tap Resistor module or see Figures 8-10 if the luminaire uses a Tri-Tap LED Driver.



## TO CONNECT WIRES TO THE TERMINAL BLOCK:

1. Depress the button above each terminal, insert the wire, and release the button.
2. Pull on each wire to confirm a good connection. If using stranded wire, ensure that there are no loose strands protruding from the terminals.