



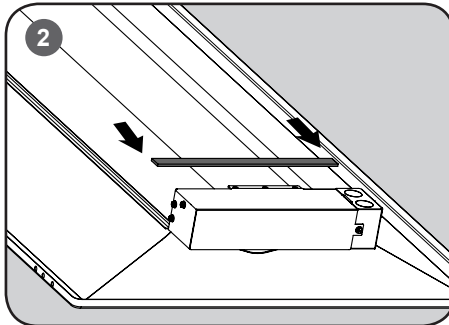
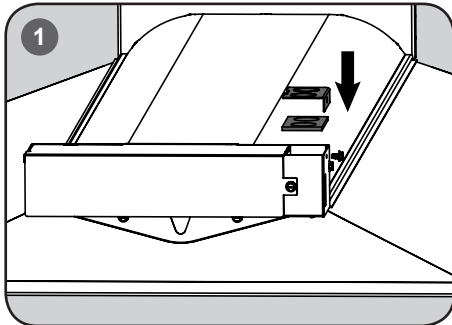
IMPORTANT SAFETY INFORMATION

Read all instructions before installation.

Before installing this fixture or doing any maintenance, make sure to turn off the power supply at the circuit breaker or fuse box. Check to make sure that all fixture connections have been properly made and the fixture is grounded to avoid potential electrical shocks. Do not handle energized fixture when hands are wet, when standing on wet or damp surfaces, or in water.

INSTALLATION INSTRUCTIONS

TO INSTALL:



STEP 1:

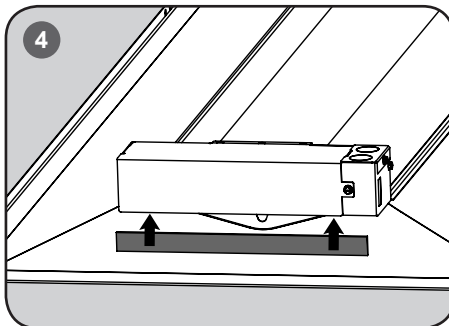
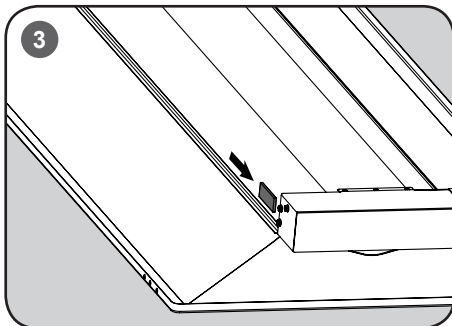
Remove the original junction box lid(s) and apply applicable gasket, replace with original screws(s).

STEP 2:

Use one of the 10" long gaskets to cover gap of the long side of the driver box.

STEP 3:

Use the 2.25" long gasket to cover gap of the short side of the driver box.

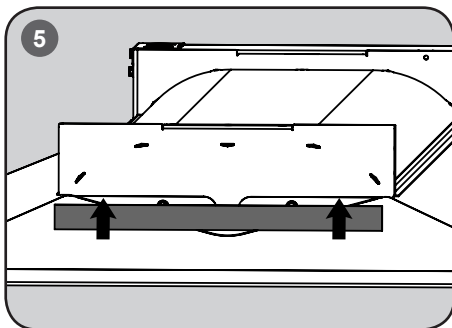


STEP 4:

Use a second 10" long gasket to cover gap between the bottom of the driver box and the troffer.

STEP 5:

Use the remaining 10" long gasket to cover gap between the other end cap and the troffer.



U.S Patent no. 7,213,940
U.S and Foreign Patents Pending
Designed and Produced in USA
LPN000116_A



CREE® TRUEWHITE® TECHNOLOGY FIXTURE ACCESSORY LIMITED CONSUMER WARRANTY

The limited warranty set forth below is given by the Cree company listed below ("Seller") with respect to the lighting product packaged with this limited warranty (the "Product"). Your Product, when delivered to you in new condition in its original packaging, is warranted against defects in materials or workmanship as follows: for a period of ONE (1) YEAR from the date of original purchase, defective parts or a defective Product returned with the sales receipt as proof of purchase to Seller, or its authorized service providers, as applicable, and proven to be defective upon inspection, will be repaired, or exchanged for a new Product, as determined by Seller, or the authorized service provider. This limited warranty covers all defects encountered in normal use of the Product, and does not apply in the following cases: Loss of or damage to the Product due to acts of God; fire; vandalism; civil disturbances; power surges; improper power supply; electrical current fluctuations; corrosive environment installations; induced vibration; harmonic oscillation or resonance associated with movement of air currents around the product; abuse; alteration; accident, abuse; mishandling; alteration; accident; electrical current fluctuations; failure to follow operating, maintenance or environmental instructions prescribed by Seller in writing or services performed by someone other than Seller or its authorized service provider. WARRANTY IS VOID IF PRODUCT IS NOT USED FOR THE PURPOSE FOR WHICH THIS PRODUCT IS MANUFACTURED. Any complaints you may have regarding the Product should be addressed to Ruud Lighting, Inc., 9201 Washington Avenue, Racine, WI 53406. Seller shall have no liability under this warranty unless Seller is notified in writing within sixty (60) days after your discovery of the defect and the defective items are promptly returned to Seller, freight prepaid, and received by Seller. This warranty excludes field labor and service charges related to the repair or replacement of the product. NO IMPLIED WARRANTY, INCLUDING ANY IMPLIED WARRANTY OF MERCHANTABILITY OR FITNESS FOR A PARTICULAR PURPOSE, APPLIES TO THE PRODUCT AFTER THE APPLICABLE PERIOD OF THE EXPRESS LIMITED WARRANTY STATED ABOVE, AND NO OTHER EXPRESS WARRANTY OR GUARANTY GIVEN BY ANY PERSON OR ENTITY WITH RESPECT TO THE PRODUCT SHALL BIND SELLER. (SOME STATES AND PROVINCES DO NOT ALLOW LIMITATIONS ON HOW LONG AN IMPLIED WARRANTY LASTS, SO THE ABOVE LIMITATION MAY NOT APPLY TO YOU.)

CPLCR

Chicago Plenum Field Kit - Standard for use with CR Series Troffers

