

## IMPORTANT SAFEGUARDS

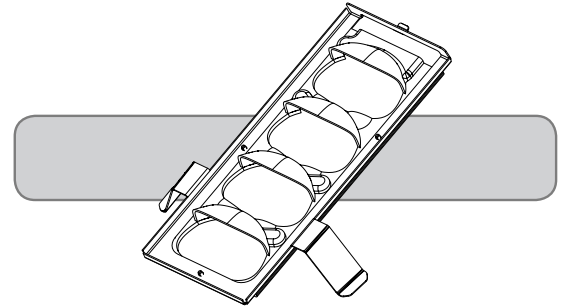
When using electrical equipment, basic safety precautions should always be followed including the following:

### READ AND FOLLOW ALL SAFETY INSTRUCTIONS

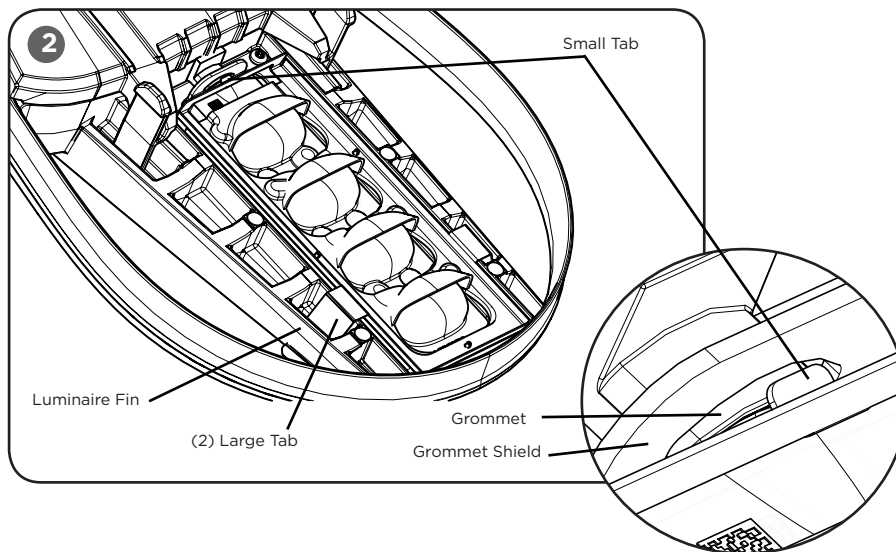
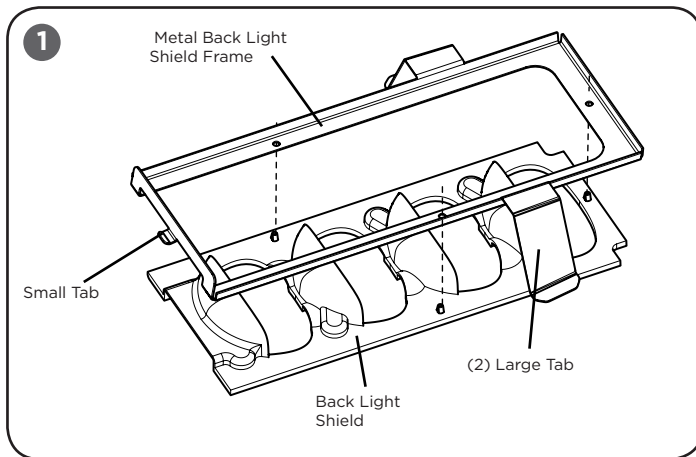
- DANGER**- Risk of shock- Disconnect power before installation.  
**DANGER** – Risque de choc – Couper l'alimentation avant l'installation.

### SAVE THESE INSTRUCTIONS FOR FUTURE REFERENCE

## INSTALLATION INSTRUCTIONS INSTRUCTIONS D'INSTALLATION



## TO INSTALL:



## BACK LIGHT SHIELD

### STEP 1:

Clean the surface of the LED Module.  
**NOTE:** Be sure to use a very mild detergent. Damage will occur to the LED Optics if any alcohol based or otherwise harsh chemicals used.

### STEP 2:

Back Light Shield and the metal backlight shield frame are factory installed together but if the assembly comes loose in shipping reattach by inserting (3) studs on the backlight shield into the designated holes on the metal frame. Push together until it snaps into place. See **Figure 1**.

### STEP 3:

Insert at an angle, the small tab on the Back Light Shield Assembly in between the grommet and grommet shield. See **Figure 1 and 2**.

### STEP 4:

Press the (2) large tabs on the Back Light Shield Assembly inward and snap them down into the luminaire fins. See **Figure 2**.