

KR6™ and KR4™

Trim Ring Accessory

Product Description

The KR Trim accessory is designed to deliver a smooth aperture by concealing the KR4 and KR6 mounting hardware. The trim ring attaches with high powered magnets and easily snaps into place over the mounting hardware after the fixture is installed to deliver a smooth reflector finish for all applications.

Ordering Information - KR Series Trims

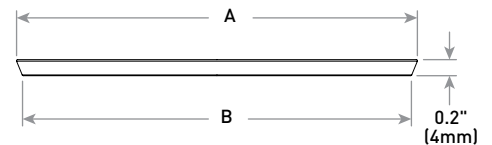
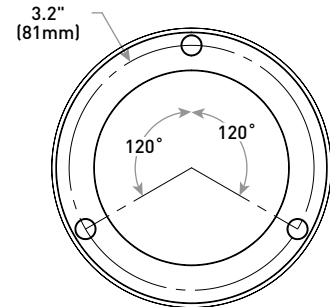
Example: KR4TA

Part	Aperature	Color
KR4TA KR6TA	4 4 inch 6 6 inch	Blank White

4" Trim Ring



6" Trim Ring



Trim Size	A	B
4"	3.7" [92mm]	3.5" [90mm]
6"	4.3" [109mm]	4.1" [103mm]

CA RESIDENTS WARNING: Cancer and Reproductive Harm – www.p65warnings.ca.gov

Rev. Date: V2 10/09/2018

© 2018 Cree, Inc and/or one of its subsidiaries. All rights reserved. For informational purposes only. Content is subject to change. Patent www.cree.com/patents. Cree® and the Cree logo are registered trademarks, and KR6™ and KR4™ are trademarks of Cree, Inc.

US: lighting.cree.com

T (800) 236-6800 F (262) 504-5415

Canada: www.cree.com/canada

CREE

T (800) 473-1234 F (800) 890-7507