

IMPORTANT SAFEGUARDS

When using electrical equipment, basic safety precautions should always be followed including the following:

READ AND FOLLOW ALL SAFETY INSTRUCTIONS

1. To reduce the risk of electrical shock, turn off power supply before installation or servicing.
2. Product must be installed in accordance with NEC or your local electrical code. If you are not familiar with these codes and requirements, consult a qualified electrician.

SAVE THESE INSTRUCTIONS FOR FUTURE REFERENCE

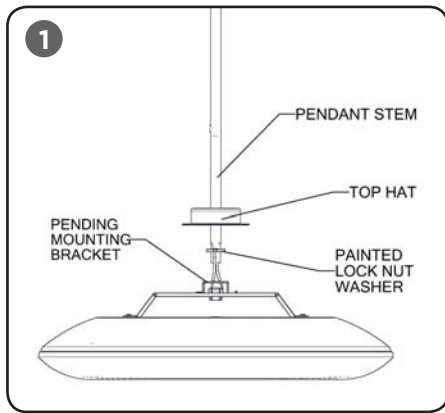
NOTES:

The LED Fixture and the Pendant Mounting Kit are packaged separately. Note that the pendant kit contains the following parts:

- | | | |
|-------------------------------|-----------------------|-----------------------|
| (2) - Painted Lock-Nut Washer | (1) - Canopy | (2) - Mounting Screws |
| (1) - Pendant Stem | (1) - Lock-Nut Washer | |
| (1) - Collar | (1) - Offset Bracket | |

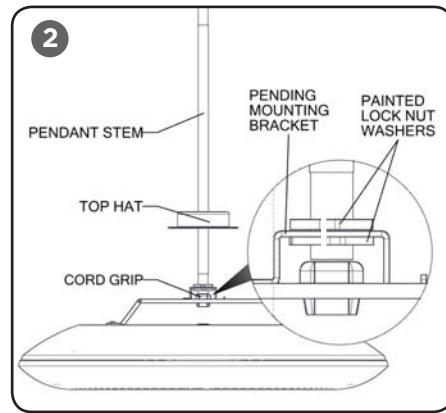
INSTALLATION INSTRUCTIONS

TO INSTALL:

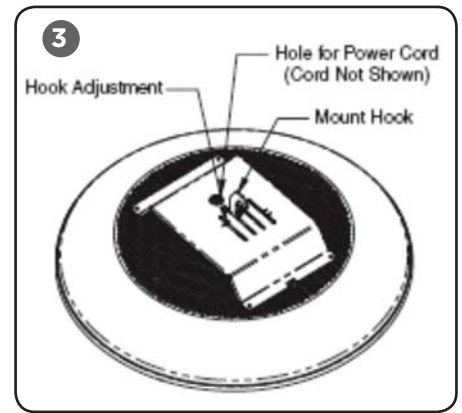


PENDANT MOUNTING INSTRUCTION

- STEP 1:**
 Attach the Top Hat and (1) Painted Lock Nut Washer through the bottom of the Pendant Stem. See **Figure 1**.
- STEP 2:**
 Feed the Pendant Stem and leads through the Pending Mounting Bracket. Feed the second Painted Lock Nut Washer through the leads onto the Pendant Stem. See **Figure 2**.
- STEP 3:**
 To secure Pendant Stem to the Pending Mounting Bracket, hold the Painted Lock-Nut Washer (from Step 2) in place under the Pending Mounting Bracket and tightening stem until secure. See **Figure 2**.



- STEP 4:**
 Make supply connections between leads coming from the cord grip and leads from the pendant stem using supplied wire connectors per **“Electrical Connections.”**
- STEP 5:**
 To attach Top Hat to fixture slide it down the Pendant Stem and over the connected leads, making sure not to pinch any leads. Secure it down using (2) supplied screws.
- STEP 5:**
 Slip the collar and the Canopy over the Fixture leads and the Pendant Stem.
- STEP 6:**
 Attach the Offset Bracket to the Pendant Stem using the two remaining Lock-Nuts Washers.
- STEP 7:**
 Mount the Pendant Stem assembly to j-box (supplied by others) with included Mounting Screws, and make supply connections per **“Electrical Connections”**.
- STEP 8:**
 Slide Canopy and Collar flush with ceiling and tighten Collar screw.



HOOK AND CORD MOUNTING INSTRUCTION

- STEP 1:**
 Push down on retainer spring until top of spring is free of fixture hook.
- STEP 2:**
 Slide hook into securely mounted eye hanger and return retainer spring to original position.
- NOTE:** The fixture should already be factory set for correct balance. However, should you need to, the fixture may be balanced by loosening the hook adjustment set screw (**Figure 3**) on the top of the housing and sliding the hook as necessary for correct balance. Tighten hook set screw when finished.
- STEP 3:**
 Strain relief is required for electrical connections. Install a suitable Listed cord strain relief bushing in the junction box and feed the fixtures supply cord through it or tie an overhand knot in the cord in the junction box.
- STEP 4:**
 Make supply connections per **“Electrical Connections”**.

ELECTRICAL CONNECTIONS

Make the following Electrical Connections:

- Connect supply ground wire to ground wire from Fixture Canopy and the ground wire from the Fixture Cord using supplied wire nut.
- Connect supply line conductor to black wire from Fixture Cord using supplied wire nut.
- Connect supply neutral conductor to white wire from Fixture Cord using supplied wire nut.

