

**INSTALLATION INSTRUCTIONS**

**IMPORTANT SAFEGUARDS**

When using electrical equipment, basic safety precautions should always be followed including the following:

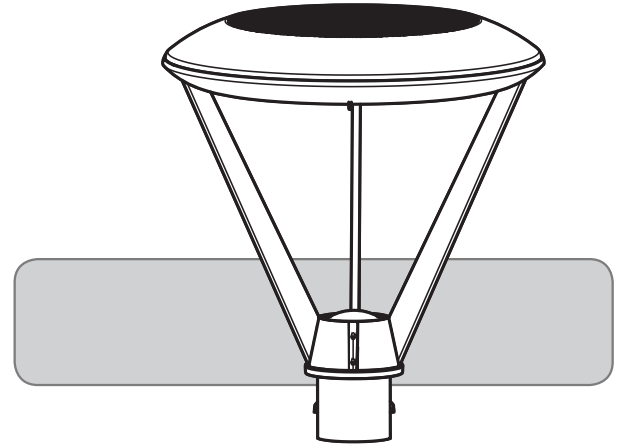
**READ AND FOLLOW ALL SAFETY INSTRUCTIONS**

1. To reduce the risk of electrical shock, turn off power supply before installation or servicing.
2. This luminaire must be installed in accordance with the NEC or your local electrical code. If you are not familiar with these codes and requirements, consult a qualified electrician.

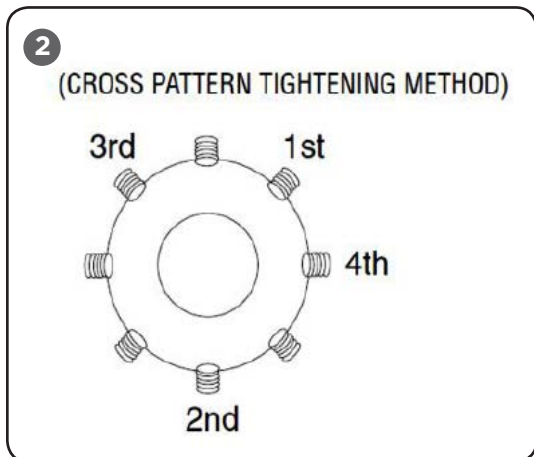
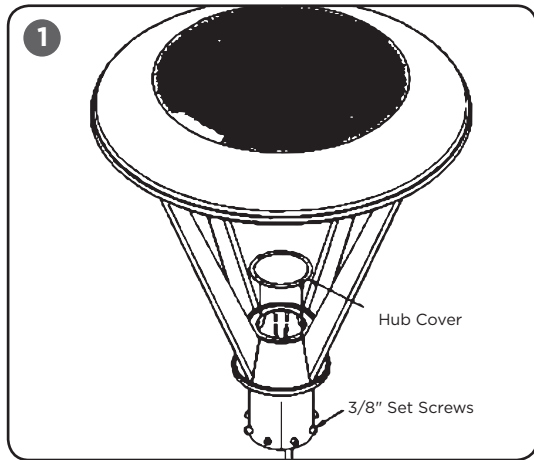
**SAVE THESE INSTRUCTIONS FOR FUTURE REFERENCE**

**NOTES:**

1. This carton contains complete fixture and fitter assembly.
2. Tenon mount fixtures used on aluminum or reinforced fiberglass poles must be mounted on 3" (77 mm) O.D. tenons.



**TO INSTALL:**



**TENON MOUNT**

**STEP 1:**

Remove hub cover located at the top of the hub by removing the two Phillips screws. See **Figure 1**.

**STEP 2:**

Feed supply conductors through base of hub. Strain relief may be provided by tying a knot in conductors.

**STEP 3:**

Slide hub over the tenon (2-3/8 to 3") of pole until hub is resting on top of tenon.

**STEP 4:**

Secure fixture to pole tenon by tightening the 3/8" set screws. Tighten set screws by alternating from one side of the hub to the other until all set screws have been tightened to 120 in-lbs (21 N•m). See **Figure 2**.

**STEP 5:**

Replace hub cover from Step 1 after completing electrical connections section.

**DIRECT MOUNT TO 5" ROUND POLE**

**STEP 1:**

Remove hub cover located at the top of the hub by removing the two Phillips screws. See **Figure 1**.

**STEP 2:**

Feed supply conductors through base of hub. Strain relief may be provided by tying a knot in conductors.

**STEP 3:**

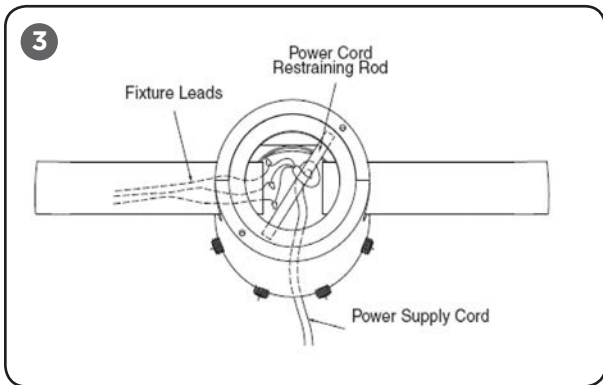
Slide hub into 5 inch pole until hub is resting on top of pole.

**STEP 4:**

Secure fixture to pole by tightening the center mounting bolt to 140 in.lbs (16N•m).

**STEP 5:**

Replace hub cover from Step 1 after completing electrical connections section.



## DIRECT MOUNT TO 4" SQUARE STEEL SHAFT

### STEP 1:

Remove hub cover located at the top of the hub by removing the two Phillips screws. See **Figure 1**.

### STEP 2:

Feed supply conductors through base of hub. Strain relief may be provided by tying a knot in conductors. See **Figure 3**.

**NOTE:** If mounting to 4 inch square aluminum pole with a ¼ inch wall, discard two shims provided with fixture.

### STEP 3:

Slide hub into 4 inch square pole until hub is resting on top of pole.

### STEP 4:

Secure fixture to pole by tightening the four mounting bolt to 120 in-lbs (21 N•m).

### STEP 5:

Replace hub cover from step 1 after completing electrical connections section.

## ELECTRICAL CONNECTIONS: PHASE to NEUTRAL WIRING - 120/277V

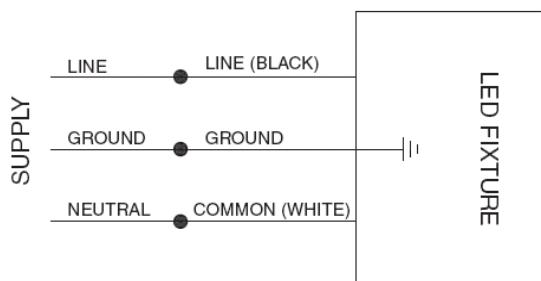
### STEP 1:

Make the following electrical connections:

- Connect supply ground conductor to fixture (green) ground wire and mounting plate (green) ground wire with wire connector.
- Connect supply voltage conductor to fixture black wire with wire connector.
- Connect supply neutral conductor to fixture white wire with wire connector.

### STEP 2:

Complete fixture installation per mounting instructions.



## ELECTRICAL CONNECTIONS: PHASE to PHASE WIRING - 208/240/480V

### STEP 1:

Make the following electrical connections:

- Connect supply ground conductor to fixture (green) ground wire and mounting plate (green) ground wire with wire connector.
- Connect supply L2 (Hot) conductor to fixture black wire with wire connector.
- Connect supply L1 (Hot) conductor to fixture white wire with wire connector.

### STEP 2:

Complete fixture installation per mounting instructions.

