

IMPORTANT SAFEGUARDS

When using electrical equipment, basic safety precautions should always be followed including the following:

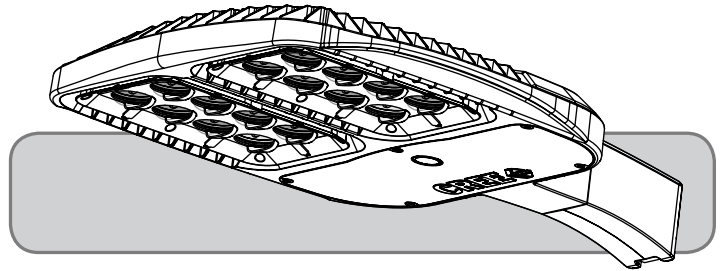
READ AND FOLLOW ALL SAFETY INSTRUCTIONS

- DANGER**- Risk of shock- Disconnect power before installation.
***DANGER** – Risque de choc – Couper l'alimentation avant l'installation.*
- This luminaire must be installed in accordance with the NEC or your local electrical code. If you are not familiar with these codes and requirements, consult a qualified electrician.
Ce produit doit être installé conformément à NEC ou votre code électrique local. Si vous n'êtes pas familier avec ces codes et ces exigences, veuillez contacter un électricien qualifié.

SAVE THESE INSTRUCTIONS FOR FUTURE REFERENCE

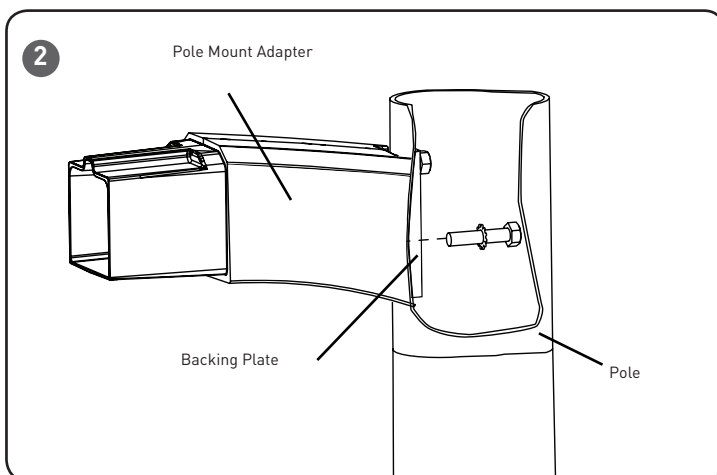
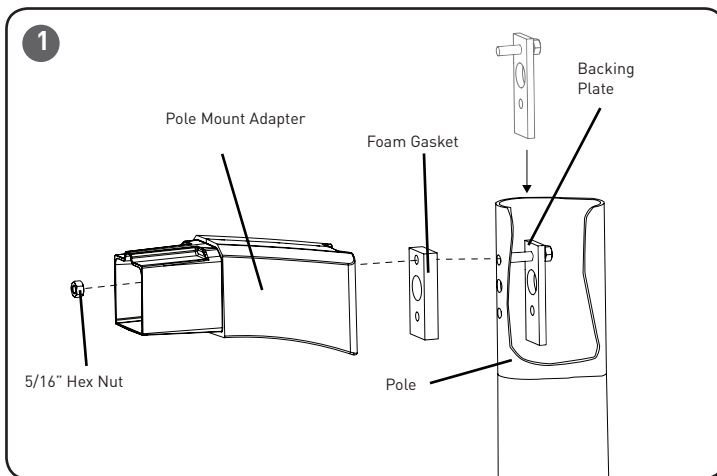
TO INSTALL:

INSTALLATION INSTRUCTIONS INSTRUCTIONS D'INSTALLATION



NOTES:

- DO NOT remove the knock out on the top of the luminaire (See **Figure 3** on page 2). If a NEMA or photocontrol is desired customer must order OSQ luminaire with factory installed NEMA Photocell Receptacle (R option). NEMA photocell receptacle or photo control's are not field installable.
- Use a 1/2" socket with a minimum 9" extension to reach all the way thru the arm to fasten the nut.
- A 3/16" Allen screw driver is needed to tighten the set screws.
- Compatible with 3.0" or larger round or square poles.



DIRECT POLE MOUNT

NOTE: Access to Components Compartment is not necessary for installation. To access the Components Compartment, loosen (5) self-retaining screws on the luminaire Cover Door. See **Figure 4**.

STEP 1:

Verify that there is access from top of the pole.

STEP 2:

Use dimensions on template shown on the back page for drilling if pole is not pre-drilled. (Template is not to scale.)

STEP 3:

From top of the pole insert Backing Plate with pre-assembled top bolt through the top mounting hole of the pole. See **Figure 1**.

STEP 4:

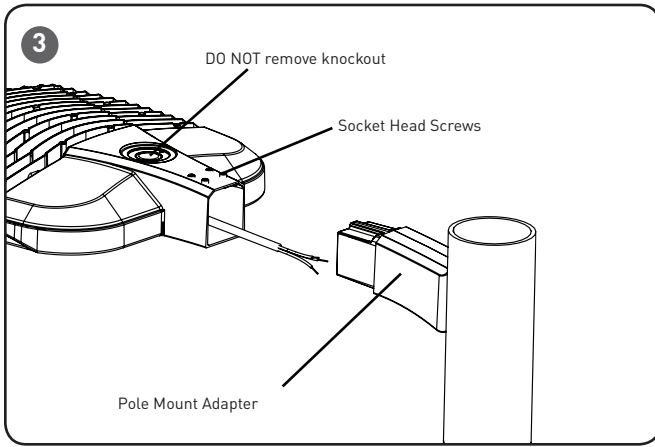
Remove any extra gaskets plugs from the foam gasket and place gasket over bolt extending from pole. See **Figure 1**.

STEP 5:

Place the top hole of the Pole Mount Adapter over the top bolt from the pole and secure from inside the adapter with supplied 5/16" hex nut. See **Figure 1**.

STEP 6:

Install remaining bolt with star washer inside the pole through the bottom hole of the Backing Plate and thread into the Pole Mount Adapter. Torque the 5/16" hex nut and bolt to 132 in-lbs (15 N-m). See **Figure 2**.



STEP 7:

Route the cord coming from the fixture head through the Pole Mount Adaptor and then through the pole. See **Figure 3**.

STEP 8:

Slide the mounting arm of the luminaire over the Pole Mount Adaptor as shown in **Figure 3**.

STEP 9:

Tighten (4) 3/8-16 socket head set screws located on the top of the mounting arm to 85 in-lbs (9.6 N•m). See **Figure 3**.

STEP 10:

See the **Electrical Connections** section for wiring instructions.

NEMA® RECEPTACLE (OPTIONAL)

STEP 1:

DO NOT loosen/tighten pan head screws for the NEMA receptacle.

STEP 2:

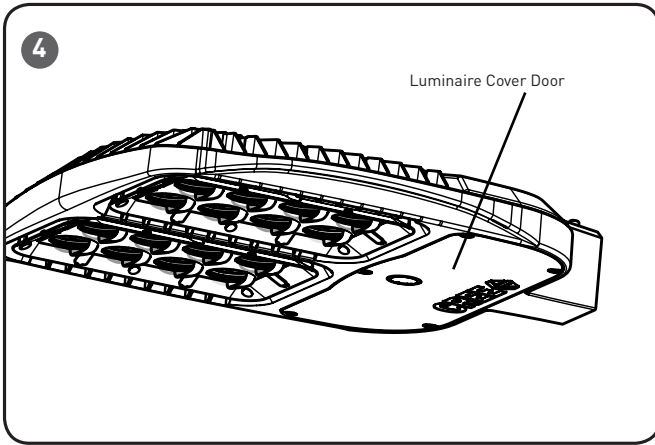
Rotational adjustment of the photo control is tool-less.

STEP 3:

Engage/install photo control into NEMA receptacle on top of the fixture.

STEP 4:

Firmly rotate photo-control with its photo-eye approximately in the 'N' north direction. Some photo-controls operate best somewhere between NW and NE.



FIELD ADJUSTABLE DIMMING - (OPTIONAL)

NOTE: This luminaire may be provided with field adjustable dimming. If so, luminaires leave the factory adjusted to the maximum setting specified when ordered. Visit www.cree.com/Lighting/Document-Library for product dimming spec sheet.

STEP 1:

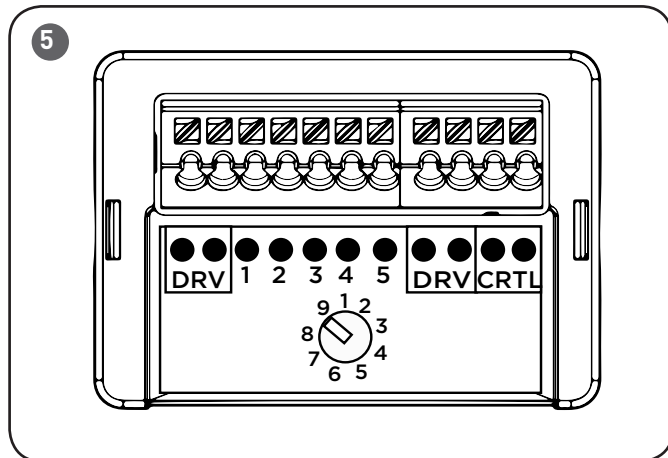
The Dimming module is located inside the luminaire. Open the luminaire door cover by loosening the (5) screws. See **Figure 4**.

STEP 2:

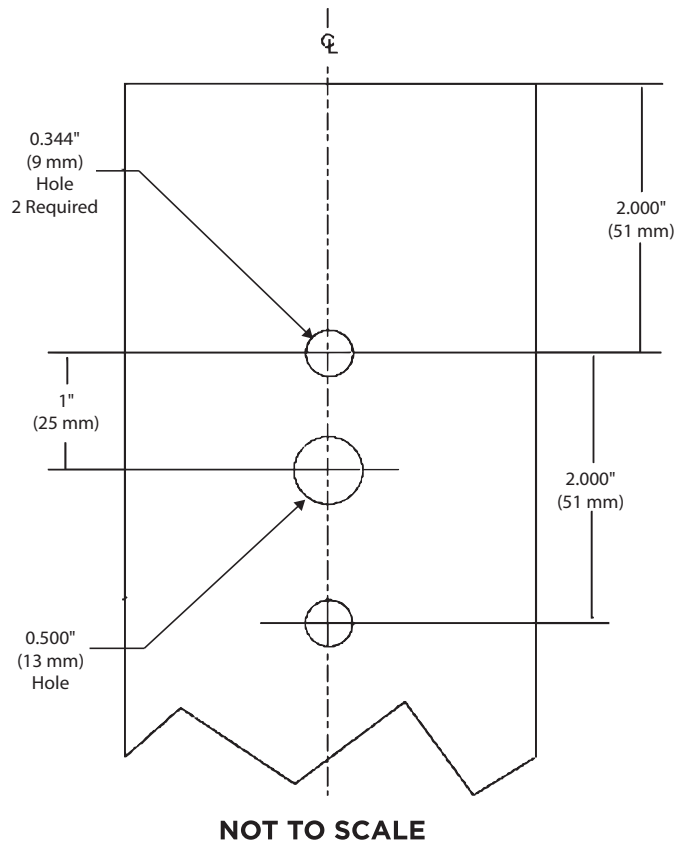
Establish the desired input power multiplier by referring to the product dimming spec sheet and turn the switch to the correlating position

STEP 3:

Adjust the Dimming Module, see **Figure 5**, to the selected position and reinstall the cover ensuring no wires are pinched.



POLE TEMPLATE



ELECTRICAL CONNECTIONS

STEP 1:

Using Listed 90°C minimum rated wire connectors make the following electrical connections within the pole:

- For 120/277V connect the black fixture lead to the voltage supply or Hot 1 (for 208/240/347/480V wiring).
- For 120/277V connect the white fixture lead to the neutral supply or Hot 2 (for 208/240/347/480V wiring).
- Connect the green or green/yellow ground lead to ground.
- If Dimming is an option; connect the violet dimming positive lead to the supply dimming positive lead.
- If Dimming is an option; connect the grey dimming negative lead to the supply dimming negative lead.

