

## INSTALLATION INSTRUCTIONS

### IMPORTANT SAFEGUARDS

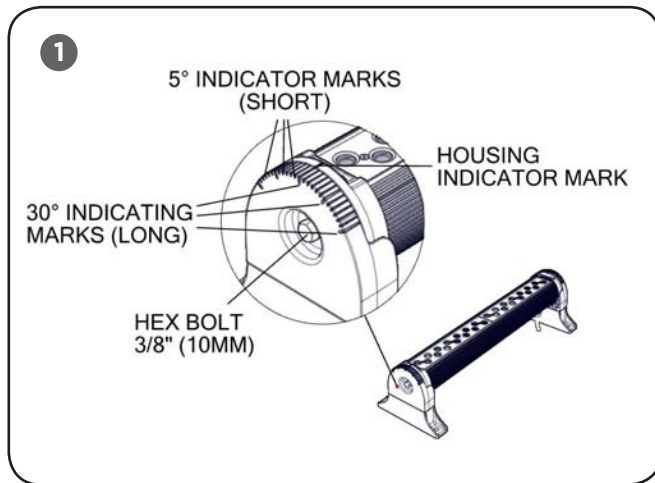
When using electrical equipment, basic safety precautions should always be followed including the following:

### READ AND FOLLOW ALL SAFETY INSTRUCTIONS

1. To avoid the possibility of electrical shock, turn off power supply before installation or servicing.
2. Product must be installed in accordance with NEC or your local electrical code. If you are not familiar with these codes and requirements, consult a qualified electrician.
3. Do not carry fixture by cord.
4. Do not connect power until luminaire is mounted and positioned.
5. Luminaire is intended to be mounted directly to a vertical or a horizontal surface

### SAVE THESE INSTRUCTIONS FOR FUTURE REFERENCE

### TO INSTALL:



### MOUNTING

#### STEP 1:

Loosen and remove the 3/8" or 10 mm hex bolt and lock washer. See **Figure 1**.

#### STEP 2:

Remove and discard the 5/16" (8 mm) x 1" (25.4mm) bolts that connect the end mount to the mounting shoe.

#### STEP 3:

Insert the mounting arm between end mount and mounting shoe.

#### STEP 4:

Insert the long 5/16" or 8 mm hex bolts through end mount, extension arm and mounting shoe holes.

#### STEP 5:

Fasten the long 5/16" or 8 mm hex bolts and tighten with 5/16" or 8 mm nylon hex nut as seen in **Figure 2**.

#### STEP 6:

Replace the 3/8" or 10 mm hex bolt and lock washer and fasten tightly to fixture. See **Figure 3**.

