

IMPORTANT SAFEGUARDS

When using electrical equipment, basic safety precautions should always be followed including the following:

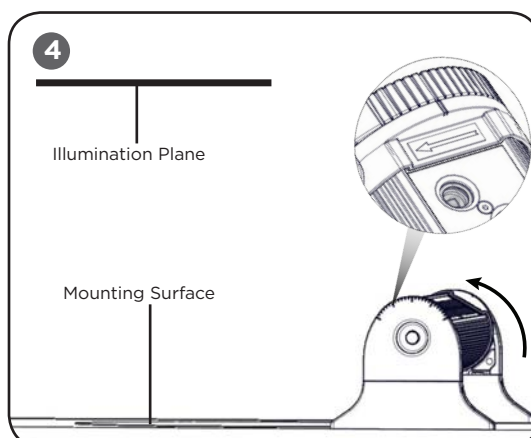
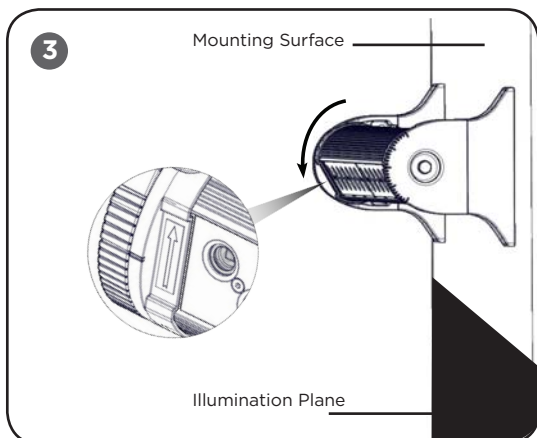
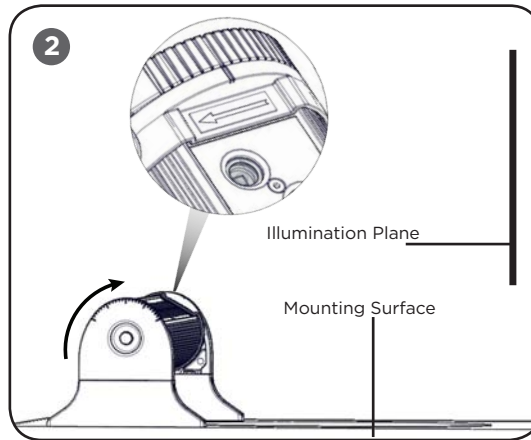
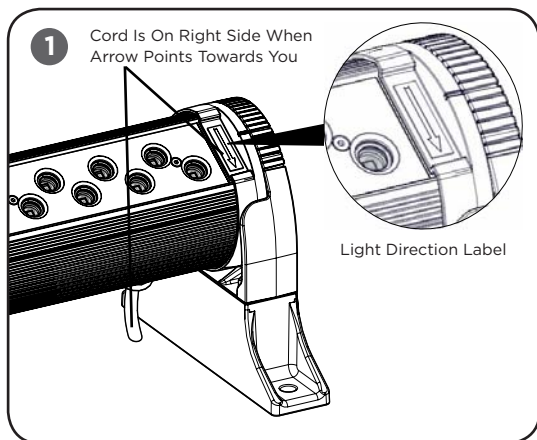
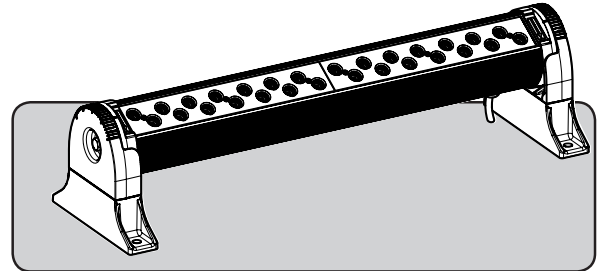
READ AND FOLLOW ALL SAFETY INSTRUCTIONS

1. To avoid the possibility of electrical shock, turn off power supply before installation or servicing.
2. Product must be installed in accordance with NEC or your local electrical code. If you are not familiar with these codes and requirements, consult a qualified electrician.
3. Do not carry luminaire by cord.
4. Do not connect power until luminaire is mounted and positioned.
5. Luminaire is intended to be mounted directly to a vertical or a horizontal surface.
6. Luminaire can be mounted to building or display sign structure using Unistrut channels or other mounting structure capable of supporting luminaire weight.
7. Standard distance from mounting surface to the center of the luminaire body is 4-1/2". Consult factory if longer extension arm is required.
8. NOTE: Luminaire must be installed in the proper orientation to achieve uniform illumination. Adjustments cannot be made after installation.

SAVE THESE INSTRUCTIONS FOR FUTURE REFERENCE

TO INSTALL:

INSTALLATION INSTRUCTIONS



LUMINAIRE ORIENTATION AND BEAM DIRECTION

NOTE: When installing the luminaire, it is very important to pay attention to proper orientation with respect to the surface being illuminated. The top of the luminaire is marked with an arrow on both ends to indicate the proper luminaire orientation. See **Figure 1**. It is important to position the electrical supply with respect to fixture orientation.

STEP 1:

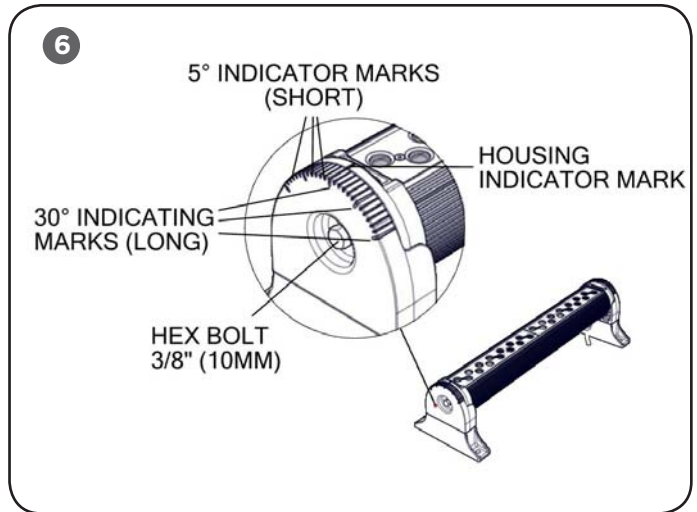
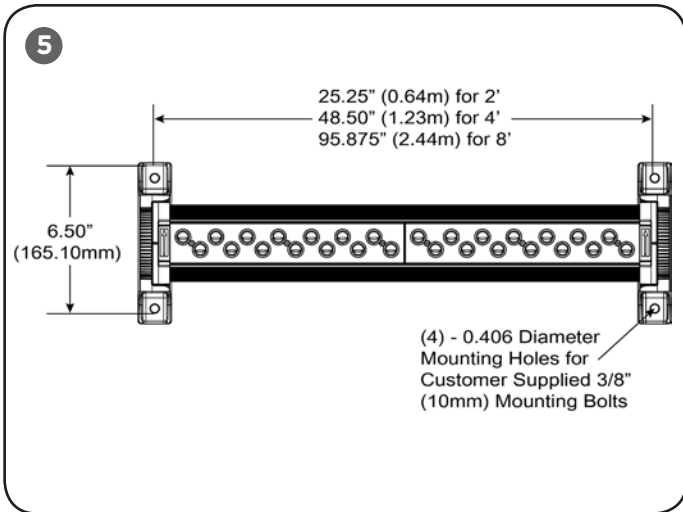
When the mounting surface is perpendicular to the illumination plane rotate the luminaire body **CLOCKWISE** until desired illumination is achieved. See **Figure 2**.

STEP 2:

When the mounting surface and the illumination plane are on the same plane rotate the luminaire body **COUNTER-CLOCKWISE** until desired illumination is achieved. See **Figure 3**.

STEP 3:

When the mounting surface and the illumination plane are parallel and opposite rotate the luminaire body **COUNTER-CLOCKWISE** until desired illumination is achieved. See **Figure 4**.



STEP 4:

Once luminaire has been properly aligned on the mounting surface, secure luminaire to the mounting surface by using customer supplied 3/8" mounting bolts suitable for the mounting surface using the four holes in the base of the mounting brackets.

See **Figure 5**.

STEP 5:

Refer to **Electrical Connection** section once fixture is secured in place.

TO AIM LUMINAIRE

NOTE: To properly aim luminaire refer to **Figures 2, 3 or 4** for proper rotation direction.

STEP 1:

Loosen, but do not remove, the 3/8" Hex Bolt on both ends of the luminaire. See **Figure 6**.

STEP 2:

Luminaire can be adjusted 360 degrees in 5 degree increments by rotating the luminaire body until desired illumination is achieved. See Step 2 of Figure 2 or 3 for proper direction of rotation.

STEP 3:

When desired position is achieved, tighten bolts on both ends of the fixture.

ELECTRICAL CONNECTIONS

STEP 1:

Using a customer supplied Listed strain relief, secure the power cord to a customer supplied Listed junction box suitable for wet locations.

STEP 2:

Using customer supplied 90°C minimum rated wire connectors, make the following electrical connections:

- a. Connect the black fixture lead to the voltage supply lead or Hot 1 (for 208/240V wiring).
- b. Connect the white fixture lead to the neutral supply lead or Hot 2 (for 208/240V wiring).
- c. Connect the green or green/yellow ground lead to the supply ground lead.

"Y" OPTION (DIMMING)

- "Y" Option dimming luminaires have a 5-wire cord that is 0.48" in diameter.
- Refer to LED DIMMING DRIVER instruction sheet for recommended dimming controllers, electrical connections, and troubleshooting information.

