

IMPORTANT SAFEGUARDS

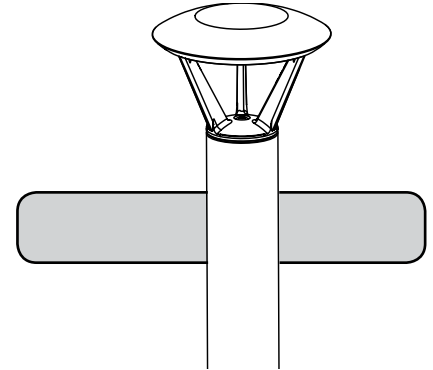
When using electrical equipment, basic safety precautions should always be followed including the following:

READ AND FOLLOW ALL SAFETY INSTRUCTIONS

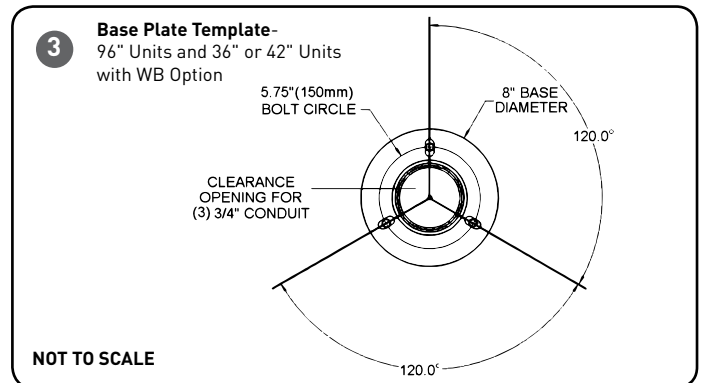
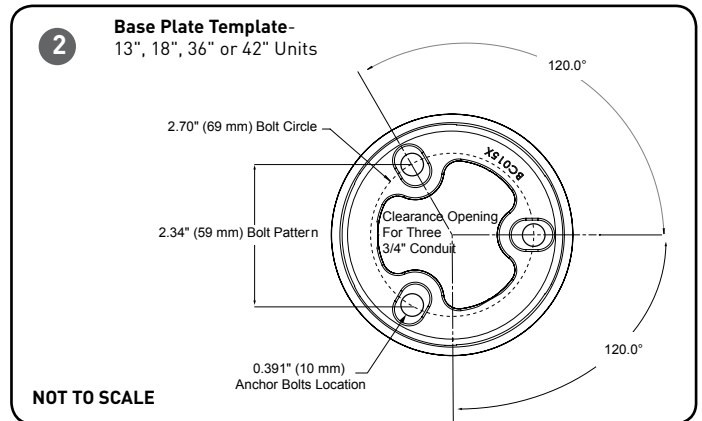
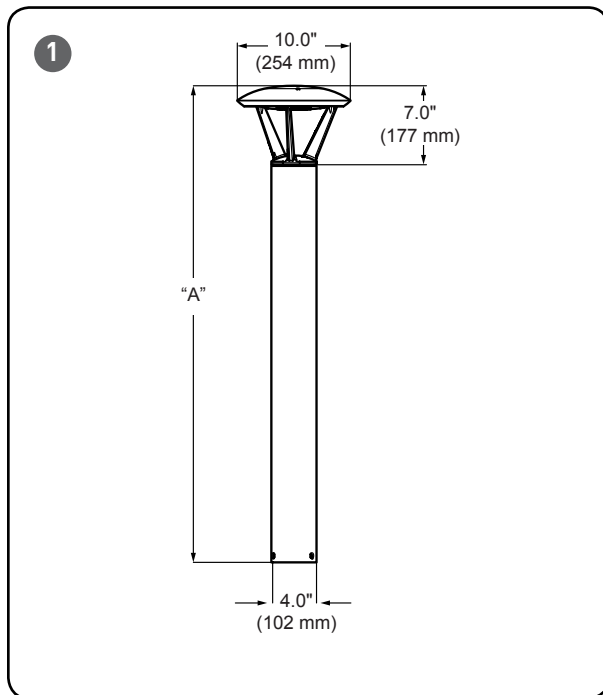
1. To avoid the possibility of electrical shock, turn off power supply before installation or servicing. Installation and servicing should be performed by qualified personnel.
2. Product must be installed in accordance with NEC or your local electrical code. If you are not familiar with these codes and requirements, consult a qualified electrician.
3. This carton contains light fixture only. Anchor bolts and mounting template shipped separately

SAVE THESE INSTRUCTIONS FOR FUTURE REFERENCE

INSTALLATION INSTRUCTIONS



TO INSTALL:



FOUNDATION

MODEL	DIM. "A"	BASE PLATE
Landscape - 12	13"	SEE FIGURE 2
Landscape - 18	18"	
Pathway	36"	
Pathway	42"	
Pedestrian	96"	SEE FIGURE 3
Pathway w/WB Option	36"	SEE FIGURE 3
Pathway w/WB Option	42"	SEE FIGURE 3

STEP 1:

Foundation should be a minimum of 12 inches in diameter, finished, level and smooth, with a depth below grade of 24 inches.

NOTE: In areas where frost is imminent, consult a civil engineer for a recommended foundation detail.

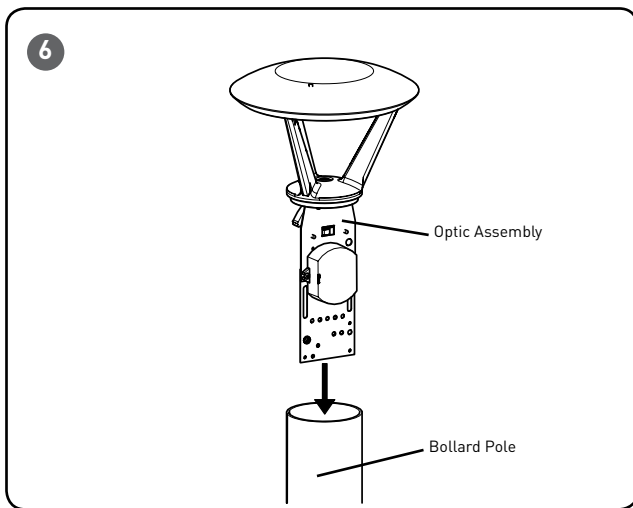
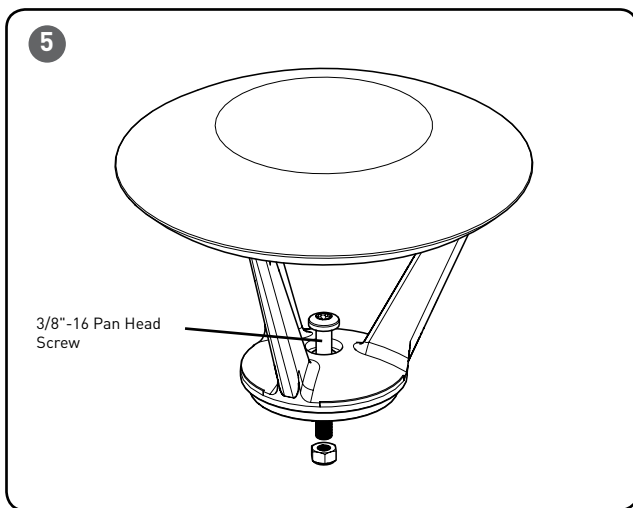
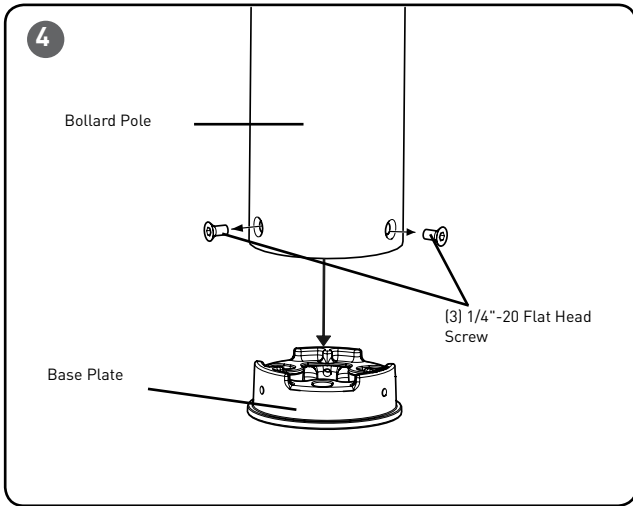
STEP 2:

Depending in the height of the luminaire, there are two different base plates that are used. See **Figure 1** and the Table on the left to determine the base type. Review **Figure 2 and 3** verify base type. **IMPORTANT:** Verify the base plate type before preparing the foundation.

STEP 3:

Provided are (3) 3/8" - 16 x 6" + 1.25" anchor bolts and mounting template (shipped separately). Use template to set anchor bolts at proper location (Note conduit entry allowance). Anchor bolts should project 2 inches above concrete.

NOTE: Bolt slots in fixture base allow for anchor bolt circle range of 2.84" (72 mm) maximum diameter to 2.45" (62 mm) minimum diameter. **HOWEVER,** conduit must always be directly centered within anchor bolts.



INSTALLATION FOR 13", 18", 36" OR 42" UNITS

STEP 1:

Remove base plate from the bottom of bollard pole by removing the (3) 1/4"-20 flat head screws at base of pole. See **Figure 4**.

STEP 2:

Remove all washers and nuts supplied on the anchor bolts and then place base plate over anchor bolts.

STEP 3:

Secure by placing a washer and nut on anchor bolts and tighten.

STEP 4:

Loosen 3/8"-16 pan head screw located at the arm base of optic assembly using a T-45 torx socket and ratchet. See **Figure 5**.

STEP 5:

Lift optic assembly from pole.

STEP 6:

Pull wires up through pole and then reattach pole to base with the (3) 1/4"-20 flat head screws removed in Step 1.

STEP 7:

Make wiring connections per **Electrical Connection** section.

STEP 8:

Reposition optical assembly onto pole and secure by torquing the 3/8"-16 pan head screw to 240 in-lb. See **Figure 6**.

INSTALLATION FOR 96" UNITS AND 36" OR 42" UNITS W/WB OPTION

STEP 1:

Remove all washers and nuts supplied on the anchor bolts and then place base plate and pole assembly over the anchor bolts.

STEP 2:

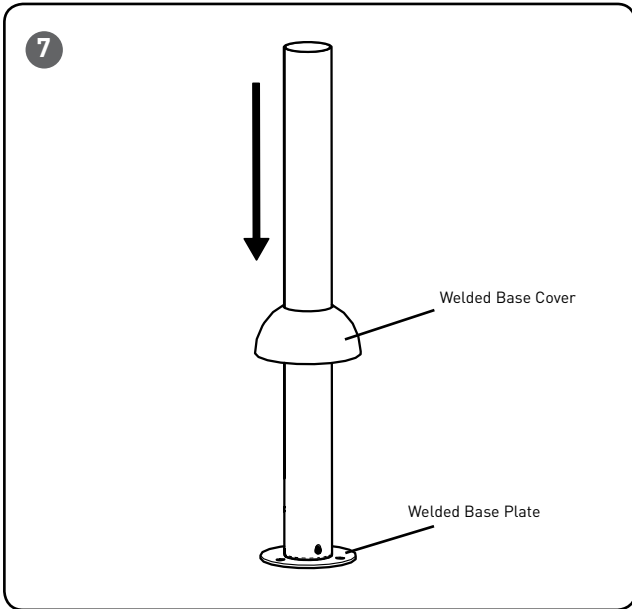
Secure by placing a washer and nut on anchor bolts and tighten.

STEP 3:

Loosen 3/8"-16" pan head screw located at the arm base of optic assembly using a T-45 torx socket and ratchet. See **Figure 5**.

STEP 4:

Lift optic assembly from pole and pull wires through.



STEP 5:

Slide the Welded Base Cover over the pole cover the Welded Base Plate. See **Figure 7**.

STEP 6:

Make wiring connections per **Electrical Connection** section.

STEP 7:

Reposition optical assembly onto pole and secure by torquing the 3/8-16 pan head screw to 240 in-lb. See **Figure 6**.

ELECTRICAL CONNECTIONS

STEP 1:

Make the following Electrical Connections to the terminal block:

- a. Connect the black luminaire lead to the line supply lead.
- b. Connect the white luminaire lead to the neutral supply lead.
- c. Connect the green/yellow luminaire lead to the supply ground lead.

