

### IMPORTANT SAFEGUARDS

When using electrical equipment, basic safety precautions should always be followed including the following:

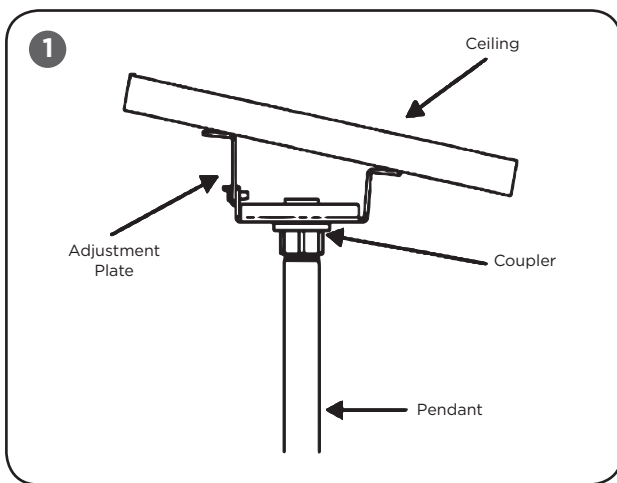
### READ AND FOLLOW ALL SAFETY INSTRUCTIONS

- DANGER**- Risk of shock- Disconnect power before installation.  
*DANGER – Risque de choc – Couper l'alimentation avant l'installation.*
- When handling, hold luminaire on sides to prevent damage to the top screen or LED's.

### SAVE THESE INSTRUCTIONS FOR FUTURE REFERENCE

### INSTALLATION INSTRUCTIONS INSTRUCTIONS D'INSTALLATION

### TO INSTALL:



### PENDANT LEVELING KIT

**NOTE:** Pendant leveling kit will accommodate 0 to 13° sloped ceilings.

#### STEP 1:

Locate fixture so customer supplied and installed junction box is located directly above the fixture.

#### STEP 2:

Position leveling kit so that the fixed end of the adjustment plate is secure to the ceiling on the lowest side of the sloped ceiling. See **Figure 1**.

#### STEP 3:

Using fasteners suitable for the mounting surface secure leveling kit using the three holes provided on each side of the leveling kit. See **Figure 2**.

**NOTE:** When the mounting screws are tightened, the Adjustment Plate will bend to accommodate the slope of the ceiling.)

#### STEP 4:

Insert the coupler through the large opening in the center of the leveling kit and secure it with the supplied coupler nut.

#### STEP 5:

Attach the fixture pendant (not supplied in this kit) to coupler and route electrical cord through pendant.

#### STEP 6:

Run cord to customer supplied junction box, and attach to junction box with a Listed strain relief suitable for the electrical cord and for the junction box knockout opening.

#### STEP 7:

Make splices in customer supplied junction box.

#### STEP 8:

Place level on fixture and tighten adjustment screws in adjustment plate once fixture is level. See **Figures 2**.

