

IMPORTANT SAFEGUARDS

When using electrical equipment, basic safety precautions should always be followed including the following:

READ AND FOLLOW ALL SAFETY INSTRUCTIONS

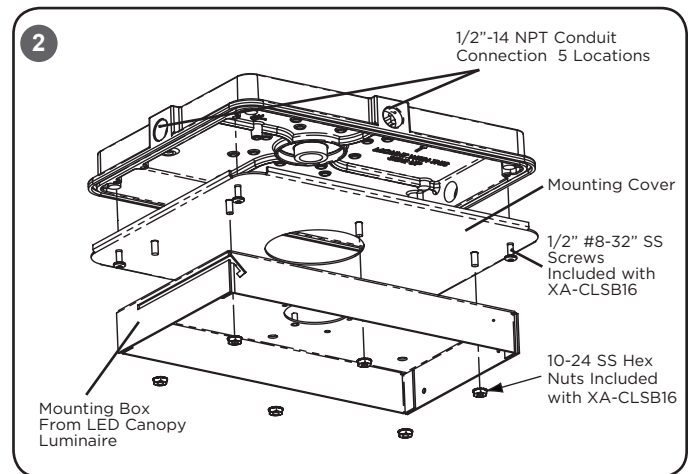
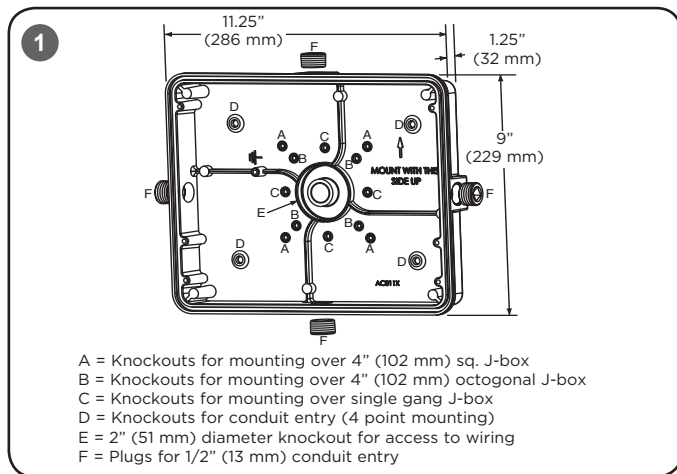
1. Before installing or servicing turn off power supply to avoid the possibility of electrical shock
2. Product must be installed in accordance with NEC or your local electrical code. If you are not familiar with these codes and requirements, consult a qualified electrician.

SAVE THESE INSTRUCTIONS FOR FUTURE REFERENCE

Notes:

1. For each mounting configuration place a continuous bead of caulk around the perimeter of the mounting holes between the surfaces to prevent water from entering fixture from behind. A high grade caulking material such as silicone rubber should be used.
2. Surface mounting box should not be secured to junction box only. See mounting instruction for proper installation.
3. Take care to keep the LED lenses clean during installation.

TO INSTALL:



MOUNTING

STEP 1:

In addition to knockouts marked "D" per Figure 1, select any other appropriate knockouts to secure the surface mounting box to the mounting surface. Use a drill or a center punch and hammer to remove selected knockouts. See **Figure 1**.

STEP 2:

To mount over recessed junction box, drill (or remove using a center punch and hammer) a 2" (51 mm) diameter hole in center of box for access to wiring.

STEP 3:

To install using conduit, remove desired 1/2" (13 mm) conduit entrance plugs using 3/8" socket drive.

STEP 4:

Using (4) #10 x 1" (25 mm) screws appropriate for mounting surface and (4) #10 sealing washers (provided), attach surface box to mounting surface using "D" holes from Step 1.

NOTE: Place a continuous bead of caulk around the perimeter of the mounting holes between the surface box and mounting

surface to prevent water from entering fixture from behind. A high grade caulking material such as silicone rubber should be used.

STEP 5:

Once surface mounting box is installed, install mounting cover and leave supply leads accessible in opening in mounting cover. See **Figure 2**.

STEP 6:

Remove mounting box from luminaire and remove existing octagonal junction box and cover and discard. Then secure mounting box to mounting cover using the six 10-24 hex nuts and washers supplied.

STEP 7:

Install luminaire to mounting box by sliding the "L" shape bracket on luminaire into the "L" shaped slot on mounting box.

STEP 8:

Make electrical connection referencing luminaire installation sheet.