

**IMPORTANT SAFEGUARDS**

When using electrical equipment, basic safety precautions should always be followed including the following:

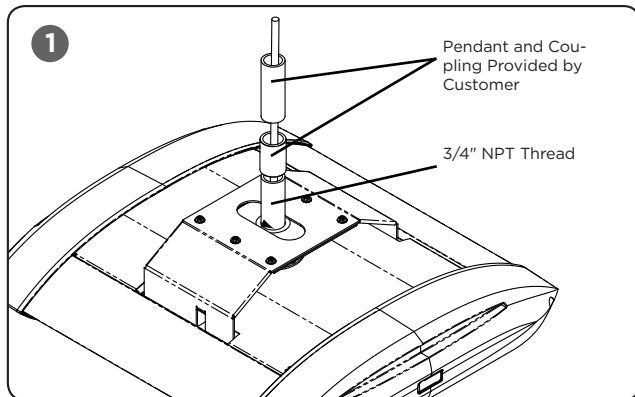
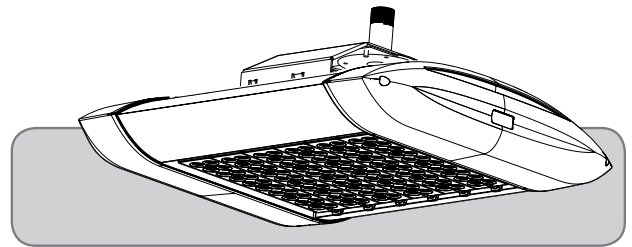
**READ AND FOLLOW ALL SAFETY INSTRUCTIONS**

1. To avoid the possibility of electrical shock, turn off power supply before installation or servicing. Installation and servicing should be performed by qualified personnel.
2. When handling, hold fixture on sides to prevent damage to the top screen or LED's.
3. Product must be installed in accordance with NEC or your local electrical code. If you are not familiar with these codes and requirements, consult a qualified electrician.
4. Take care to keep the LED lenses clean during installation
5. Cast locknuts should not be used for fixture support to conduit/pendant.

**SAVE THESE INSTRUCTIONS FOR FUTURE REFERENCE**

**TO INSTALL:**

**INSTALLATION INSTRUCTIONS**



**STEP 1:**

Route the 5' cord from the luminaire through the customer supplied coupling and pendant. Tie a knot at the end of the cord where the cord enters the junction box. See **Figure 1**. **NOTE:** The Knot should be large enough to prevent the knot from slipping through the pendant.

**STEP 2:**

Secure luminaire using the 3/4" NPT thread, provided with the luminaire, to the customer supplied coupling and pendant. See **Figure 1**.

**STEP 3:**

Make electrical connections per the **Electrical Connections** section.

**ELECTRICAL CONNECTIONS- PHASE to NEUTRAL WIRING - 120/277V**

- a. Connect the black luminaire lead to the line supply lead
- b. Connect the white luminaire lead to the neutral supply lead
- c. Connect the green or green/yellow ground lead to the supply ground lead

**ELECTRICAL CONNECTIONS- PHASE to PHASE WIRING - 208/240/480V**

- a. Connect L1 (Hot) supply lead to the black lead.
- b. Connect L2 (Hot) supply lead to the white lead
- c. Connect the green or green/yellow ground lead to the supply ground lead

