



CR Series Light Engine

1'x4', 1'x2' LED Luminaires

INSTALLATION INSTRUCTIONS

- The CR Series Light Engines are for applications using S-Hook suspended mounting and SMK-LE-L or SMK-LE-S surface mount accessory kits (**not included**).
- Designed for use in 120-277V 50-60 Hertz protected circuit (fuse box, circuit breaker). Supply wire sized as per NEC or governing code(s), 90C rated.

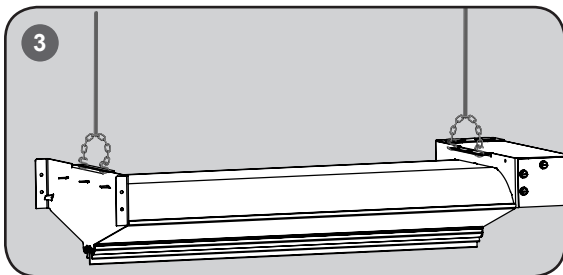
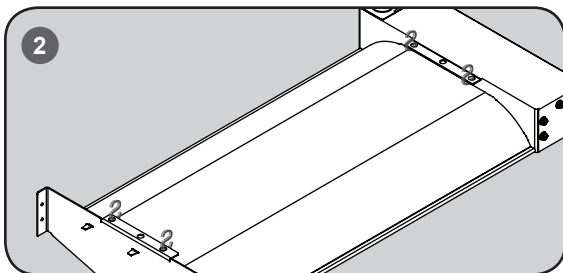
IMPORTANT SAFETY INFORMATION

Read all instructions before installation

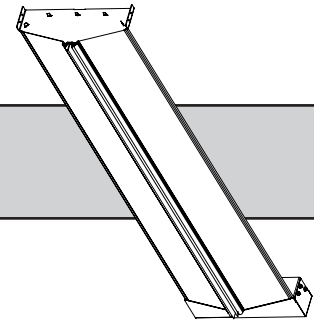
(1) Before installing this fixture or doing any maintenance, make sure to turn off the power supply at the circuit breaker or fuse box. (2) Do not handle energized module with wet hands or when standing on wet or damp surfaces, or in water.

WARNING - Risk of Electric Shock. Suitable for damp locations. Suitable for suspended ceilings.

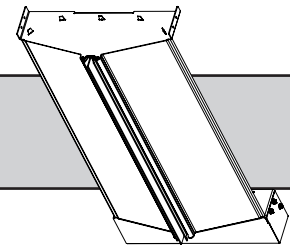
TO INSTALL:



CR-LE (1x4)



CR-LE (1x2)



STEP 1:

Unpack the CR light engine from its shipping container.

STEP 2:

Install (4) S-Hooks (**not included**) into the hanging tabs.

STEP 3:

Tie jack chains (**not included**) with the S-hooks on each end of the light engine and secure the jack chains with pendants/hanging chains.

STEP 4:

Adjust the jack chains location to evenly balance fixture.

NOTE: All additional objects need to be placed in the center of CR-LE

STEP DIMMING OPTION:

STEP 4:

Remove access plate from junction box **(A)**. Using screw driver blade, remove appropriate knockout from access plate door to route input conduit.

STEP 5:

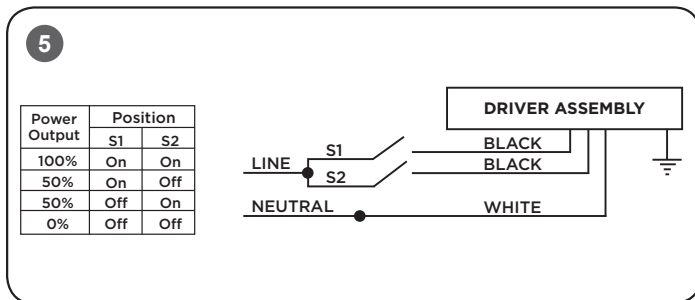
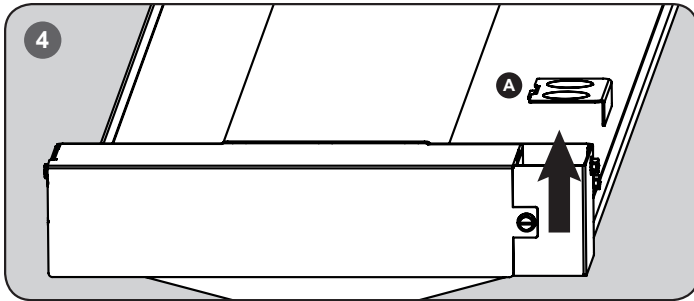
Connect input conduit to access plate. Connect wires as shown in wiring diagram **(below)**. Push all wires back into the junction box. Re-install access plate.

GREEN - Ground

WHITE - Neutral

BLACK - Switched HOT #1 (S1)

BLACK - Switched HOT #2 (S2)



NOTE: (1) DO NOT CONNECT two separate phases of the line voltage to the input of the CR-LE, the LED driver will be damaged and not covered by warranty.

(2) Install in accordance with National & Local Electric Code(s).

(3) The AC line inputs must be connected to the same phase of the line voltage.

(4) If step dimming isn't required, combine BLACK- Switched HOT #1 (S1) and BLACK- Switched HOT #2 (S2) together.

0-10V DIMMING OPTION:

STEP 4:

Remove access plate **(B)** to access the power wiring. Using screw driver blade, remove appropriate knockout from access plate **(C)** to route input conduit.

STEP 5:

Remove access plate **(C)** to access the dimming wire.

Step 6:

Connect power conduit and dimming conduit to access plates (and expanded J-Box if needed). Connect wires as shown in wiring diagram. Push all wires back into the boxes and reinstall the access plates.

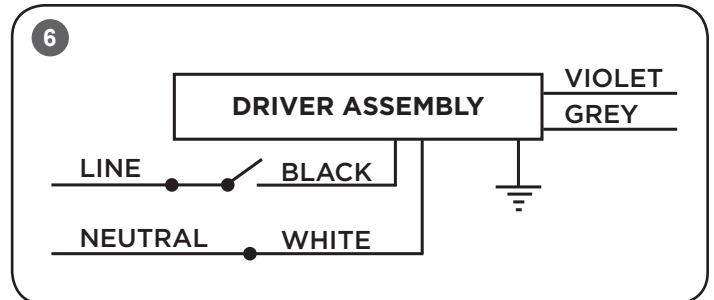
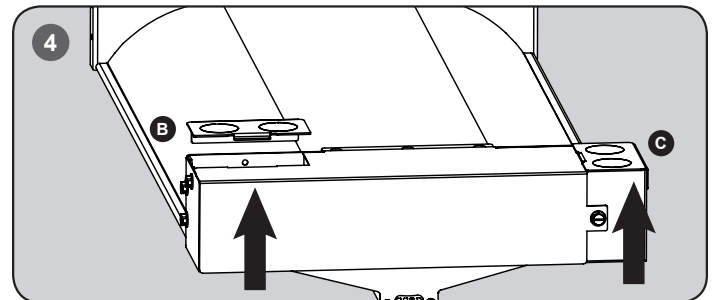
GREEN - Ground

WHITE - Neutral

BLACK - Switched HOT

VIOLET - 0-10V Dimming Control +

GREY - 0-10V Dimming Control -



Designed and Produced in USA
CreeLEDLighting.com

LPN000114_A

CREE® TRUEWHITE® TECHNOLOGY FIXTURE LIMITED CONSUMER WARRANTY

The limited warranty set forth below is given by the Cree company listed below ("Seller") with respect to the lighting product packaged with this limited warranty (the "Product"). Your Product, when delivered to you in new condition in its original packaging, is warranted against defects in materials or workmanship as follows: for a period of FIVE (5) YEARS from the date of original purchase, defective parts or a defective Product returned with the sales receipt as proof of purchase to Seller, or its authorized service providers, as applicable, and proven to be defective upon inspection, will be repaired, or exchanged for a new Product, as determined by Seller, or the authorized service provider. This limited warranty covers all defects encountered in normal use of the Product, and does not apply in the following cases: Loss of or damage to the Product due to acts of God; fire; vandalism; civil disturbances; power surges; improper power supply; electrical current fluctuations; corrosive environment installations; induced vibration; harmonic oscillation or resonance associated with movement of air currents around the product; abuse; alteration; accident, abuse; mishandling; alteration; accident; electrical current fluctuations; failure to follow operating, maintenance or environmental instructions prescribed by Seller in writing or services performed by someone other than Seller or its authorized service provider. WARRANTY IS VOID IF PRODUCT IS NOT USED FOR THE PURPOSE FOR WHICH THIS PRODUCT IS MANUFACTURED. Any complaints you may have regarding the Product should be addressed to Ruud Lighting, Inc., 9201 Washington Avenue, Racine, WI 53406. Seller shall have no liability under this warranty unless Seller is notified in writing within sixty (60) days after your discovery of the defect and the defective items are promptly returned to Seller, freight prepaid, and received by Seller. This warranty excludes field labor and service charges related to the repair or replacement of the product. NO IMPLIED WARRANTY, INCLUDING ANY IMPLIED WARRANTY OF MERCHANTABILITY OR FITNESS FOR A PARTICULAR PURPOSE, APPLIES TO THE PRODUCT AFTER THE APPLICABLE PERIOD OF THE EXPRESS LIMITED WARRANTY STATED ABOVE, AND NO OTHER EXPRESS WARRANTY OR GUARANTY GIVEN BY ANY PERSON OR ENTITY WITH RESPECT TO THE PRODUCT SHALL BIND SELLER. (SOME STATES AND PROVINCES DO NOT ALLOW LIMITATIONS ON HOW LONG AN IMPLIED WARRANTY LASTS, SO THE ABOVE LIMITATION MAY NOT APPLY TO YOU.)