



INSTALLATION INSTRUCTIONS

- The 347V Conversion Kit allows a CR Series troffer or CR Series Light Engine to be converted to work with 347V installations. The conversion kit can be easily installed in the field and works with step-dimming, 0-10V and Lutron EcoSystem® versions of the CR Series Troffer or CR Series Light Engine.
- The 347V Conversion Kit is only intended with luminaires and/or luminaire fittings employing light engines 40L, 22L, 50L, 40L-HE, 32L, 31L, 20L and intended for an ambient no greater than 25°C.

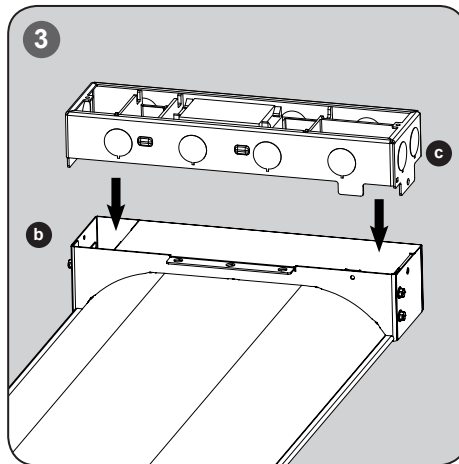
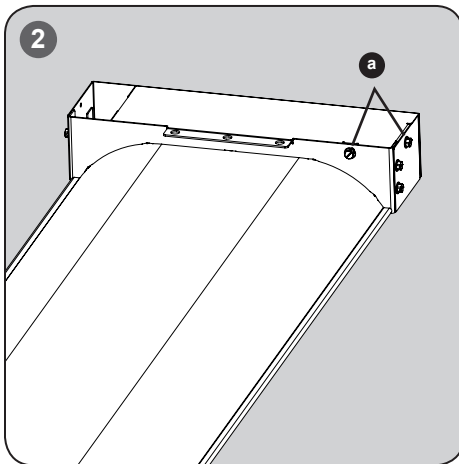
Important Safety Information

Read all instructions before installation

(1) Before installing this fixture or doing any maintenance, make sure to turn off the power supply at the circuit breaker or fuse box. (2) Do not handle energized module with wet hands or when standing on wet or damp surfaces. (3) Install in accordance with National & Local Electric Code(s).

WARNING - Risk of Electric Shock. Suitable for damp locations. Access above ceiling required. Do not install insulation within 3"(76mm) of any part of the luminaire.

TO INSTALL:



STEP 1:

Unpack the CR-347V from its shipping container and remove all packaging contents prior to installation.

STEP 2:

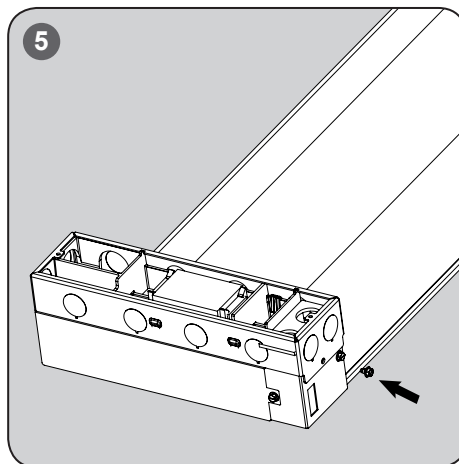
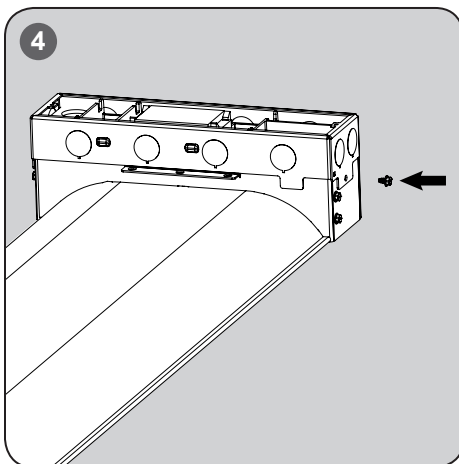
Remove the two screws (a) from the CR Series Troffer and/or CR Series Light Engine junction box.

STEP 3:

Assemble the transformer junction box onto the driver housing.

STEP 4:

Fasten the transformer junction box onto the driver housing using the screw removed from the troffer and/or light engine.



STEP 5:

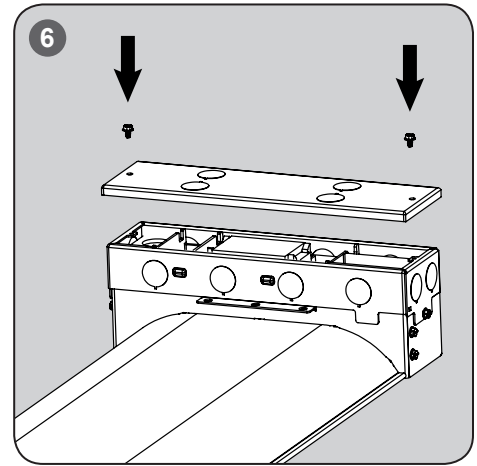
Fasten the transformer junction box onto the other side of the driver housing using the screw provided.

Step 6:

Using a screw driver blade, remove appropriate knockouts from the transformer junction box and route appropriate wiring through the wiring management slots and knockout holes. Connect wires as shown in wiring diagrams.

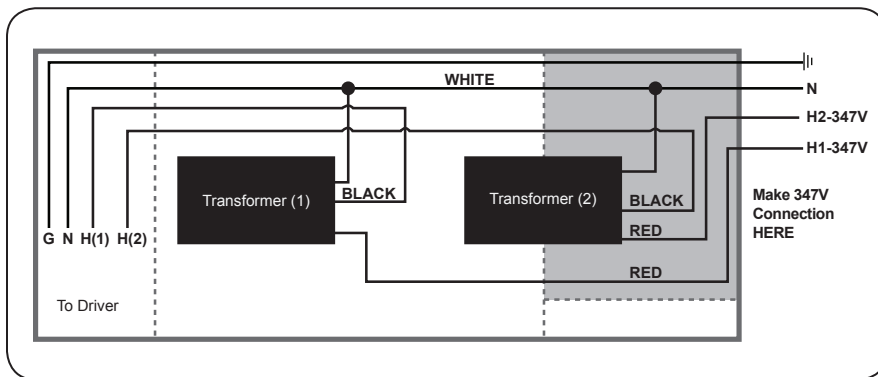
Step 7:

Attach the transformer junction box lid with 2 screws provided.



G - GREEN	Ground
N - WHITE	Neutral
BLACK	HOT 1 & 2 (To Driver)
RED	HOT 1 & 2 (347V)
VIOLET	0-10V Dimming (+)
GREY	0-10V Dimming (-)
VIOLET	Lutron EcoSystem® Dimming Control
VIOLET & WHITE	Lutron EcoSystem® Dimming Control

STEP DIMMING OPTION



NOTE: Ensure 347V connection is made in shaded area of wiring diagrams. Do not connect 347V directly to driver.

0-10V & LUTRON ECOSYSTEM® DIMMING OPTIONS

