



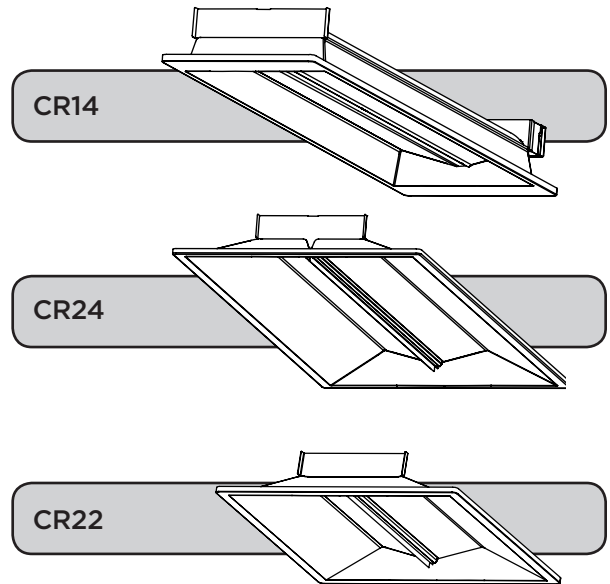
## INSTALLATION INSTRUCTIONS

- The CR Series of recessed troffers is for non-insulated ceiling applications using T-Bar ceiling grid, drywall grid adaptors, and SMK-CR22 surface mount accessory kits.
- Designed for use in 120-277V 50-60 Hertz protected circuit (fuse box, circuit breaker). Supply wire sized as per NEC or governing code(s), 90C rated.

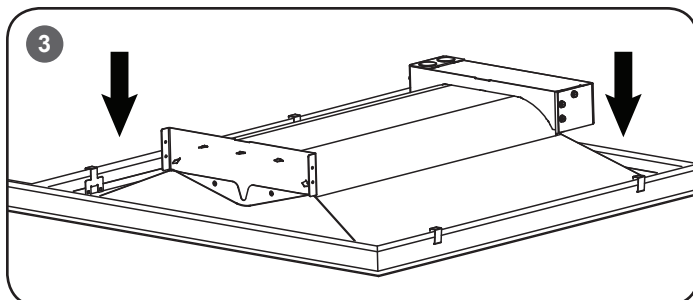
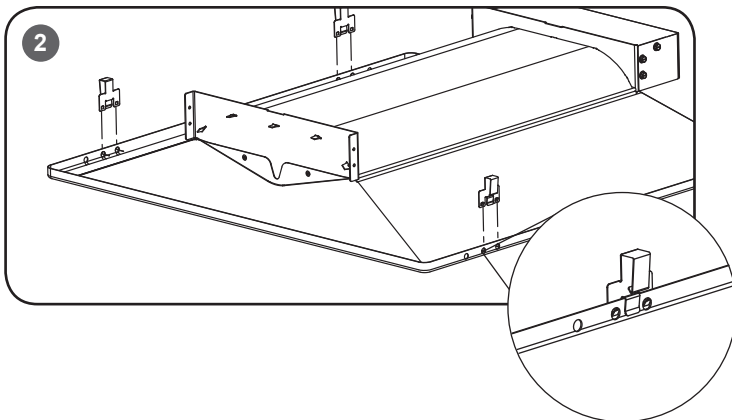
### IMPORTANT SAFETY INFORMATION Read all instructions before installation

(1) Before installing this fixture or doing any maintenance, make sure to turn off the power supply at the circuit breaker or fuse box. (2) Do not handle energized module with wet hands or when standing on wet or damp surfaces, or in water.

**WARNING - Risk of Electric Shock. Suitable for damp locations. Access above ceiling required. Do not install insulation within 3"(76mm) of any part of the luminaire. Suitable for suspended ceilings.**



### TO INSTALL:



#### STEP 1:

Unpack the CR troffer from its shipping container.

#### STEP 2:

Install the (4) T-Bar clips included with the luminaire (located in pre-pack fastened to luminaire J-Box).

#### STEP 3:

Place the CR troffer into the T-Bar Ceiling panel. Ensure T-Bar clips are attached to the T-Bar.

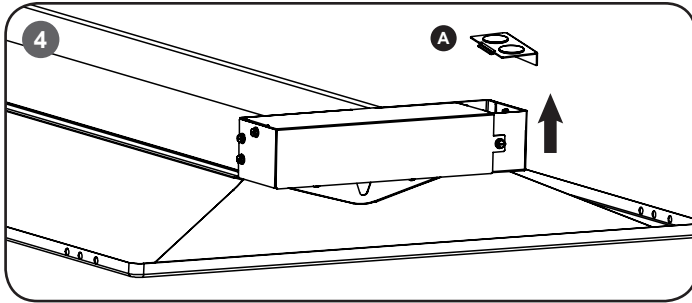
#### EXPANDED J-BOX ASSEMBLY OPTION:

In the case of through wiring with conductors larger than 14 gauge, it is recommended to utilize the EJBCR-5PK accessory to expand the junction box volume, thereby allowing for additional space for wiring and wiring fasteners. EJBCR-5PK is supplied separately and attaches to existing J-Box assembly. It is sold in minimum quantities of five.

## STEP DIMMING OPTION:

### STEP 4:

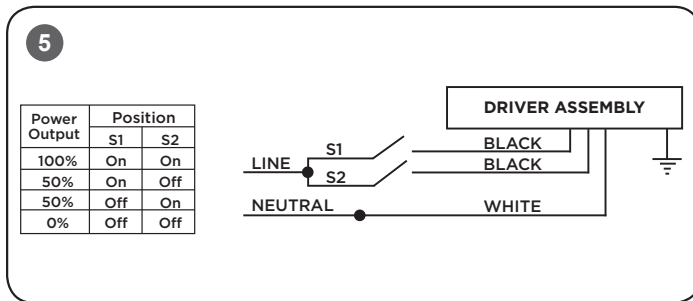
Remove access plate from junction box **(A)**. Using screw driver blade, remove appropriate knockout from access plate door to route input conduit.



### STEP 5:

Connect input conduit to access plate. Connect wires as shown in wiring diagram **(below)**. Push all wires back into the junction box. Re-install access plate.

**GREEN** - Ground, **WHITE** - Neutral, **BLACK** - Switched HOT #1 (S1), **BLACK** - Switched HOT #2 (S2)



**NOTE: (1) DO NOT CONNECT two separate phases of the line voltage to the input of the CR Troffer, the LED driver will be damaged and not covered by warranty.**

**(2) Install in accordance with National & Local Electric Code(s).**

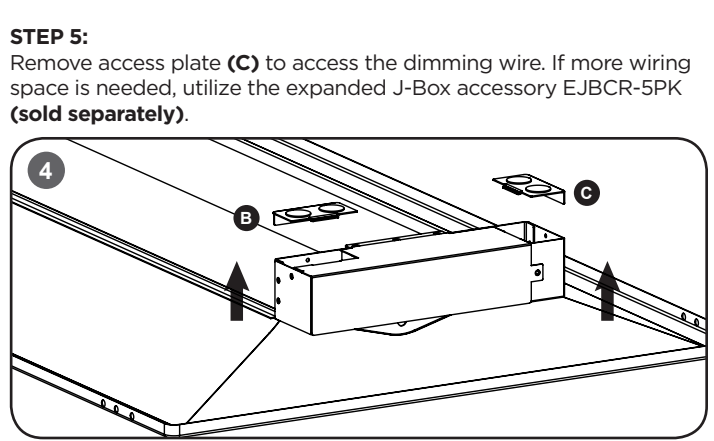
**(3) The AC line inputs must be connected to the same phase of the line voltage.**

**(4) If step dimming isn't required, combine BLACK- Switched HOT #1 (S1) and BLACK- Switched HOT #2 (S2) together.**

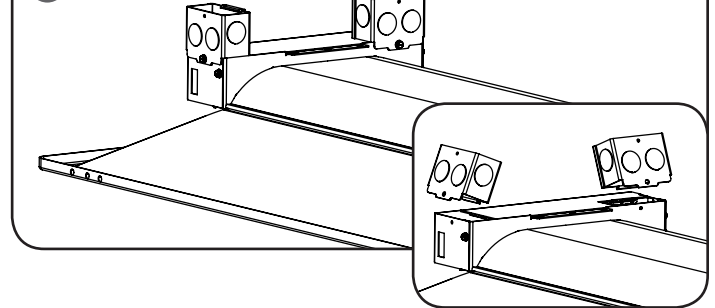
## 0-10V DIMMING OPTION:

### STEP 4:

Remove access plate **(B)** to access the power wiring. If more wire space is needed, utilize the expanded J-Box accessory EJBCR-5PK **(sold separately)**. Using screw driver blade, remove appropriate knockout from access plate **(C)** to route input conduit.



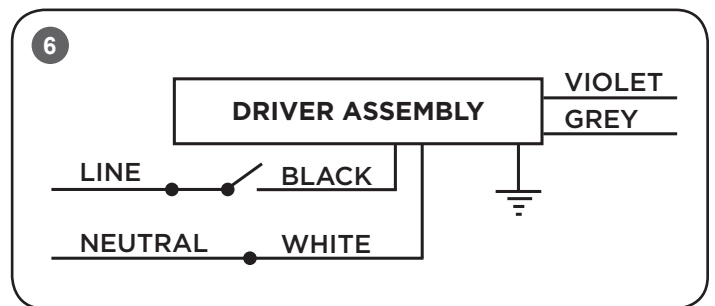
### STEP 5:



### Step 6:

Connect power conduit and dimming conduit to access plates (and expanded J-Box if needed). Connect wires as shown in wiring diagram. Push all wires back into the boxes and reinstall the access plates.

**GREEN** - Ground, **WHITE** - Neutral, **BLACK** - Switched HOT, **VIOLET** - 0-10V Dimming Control +, **GREY** - 0-10V Dimming Control -



**CREE** 

Designed and Produced in USA

## CREE® TRUEWHITE® TECHNOLOGY FIXTURE LIMITED CONSUMER WARRANTY

The limited warranty set forth below is given by the Cree company listed below ("Seller") with respect to the lighting product packaged with this limited warranty (the "Product"). Your Product, when delivered to you in new condition in its original packaging, is warranted against defects in materials or workmanship as follows: for a period of FIVE (5) YEARS from the date of original purchase, defective parts or a defective Product returned with the sales receipt as proof of purchase to Seller, or its authorized service providers, as applicable, and proven to be defective upon inspection, will be repaired, or exchanged for a new Product, as determined by Seller, or the authorized service provider. This limited warranty covers all defects encountered in normal use of the Product, and does not apply in the following cases: Loss of or damage to the Product due to acts of God; fire; vandalism; civil disturbances; power surges; improper power supply; electrical current fluctuations; corrosive environment installations; induced vibration; harmonic oscillation or resonance associated with movement of air currents around the product; abuse; alteration; accident; mishandling; failure to follow operating, maintenance or environmental instructions prescribed by Seller in writing or services performed by someone other than Seller or its authorized service provider. WARRANTY IS VOID IF PRODUCT IS NOT USED FOR THE PURPOSE FOR WHICH THIS PRODUCT IS MANUFACTURED. Any complaints you may have regarding the Product should be addressed to Ruud Lighting, Inc., 9201 Washington Avenue, Racine, WI 53406. Seller shall have no liability under this warranty unless Seller is notified in writing within sixty (60) days after your discovery of the defect and the defective items are promptly returned to Seller, freight prepaid, and received by Seller. This warranty excludes field labor and service charges related to the repair or replacement of the product. NO IMPLIED WARRANTY, INCLUDING ANY IMPLIED WARRANTY OF MERCHANTABILITY OR FITNESS FOR A PARTICULAR PURPOSE, APPLIES TO THE PRODUCT AFTER THE APPLICABLE PERIOD OF THE EXPRESS LIMITED WARRANTY STATED ABOVE, AND NO OTHER EXPRESS WARRANTY OR GUARANTY GIVEN BY ANY PERSON OR ENTITY WITH RESPECT TO THE PRODUCT SHALL BIND SELLER. (SOME STATES AND PROVINCES DO NOT ALLOW LIMITATIONS ON HOW LONG AN IMPLIED WARRANTY LASTS, SO THE ABOVE LIMITATION MAY NOT APPLY TO YOU.)

LPN000053\_E

CI365X01R1

CreeLighting.com