

IMPORTANT SAFEGUARDS

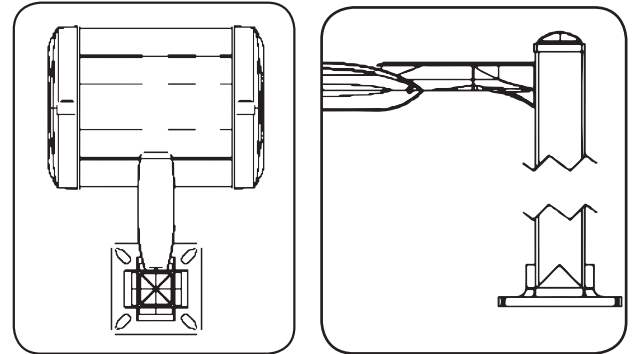
When using electrical equipment, basic safety precautions should always be followed including the following:

READ AND FOLLOW ALL SAFETY INSTRUCTIONS

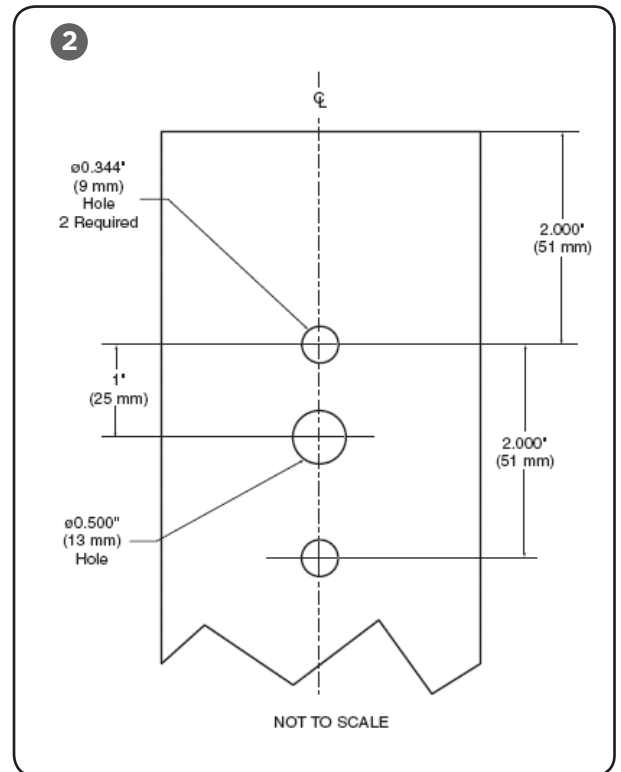
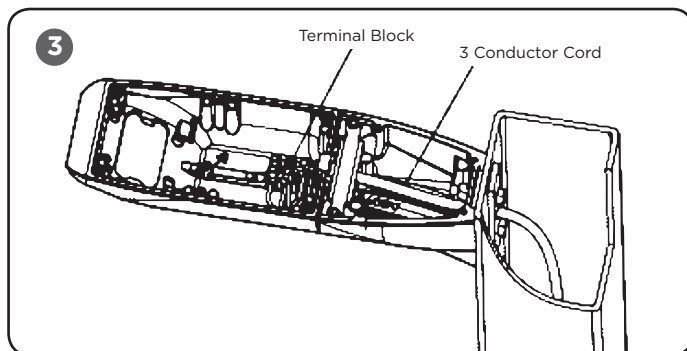
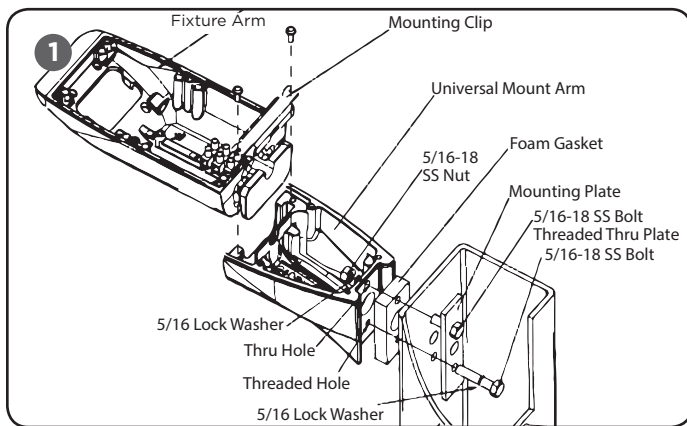
1. To avoid the possibility of electrical shock, turn off power supply before installation or servicing. Installation and servicing should be performed by qualified personnel.
2. When handling, hold fixture on sides to prevent damage to the top screen or LED's.
3. Product must be installed in accordance with NEC or your local electrical code. If you are not familiar with these codes and requirements, consult a qualified electrician.
4. Take care to keep the LED lenses clean during installation.

SAVE THESE INSTRUCTIONS FOR FUTURE REFERENCE

INSTALLATION INSTRUCTIONS



TO INSTALL:



MOUNTING

STEP 1:

Use dimensions on template shown in **Figure 2** for drilling if pole is not pre-drilled. (Template not to scale.)

STEP 2:

Insert Backing Plate with pre-assembled bolt through the top mounting hole. See **Figure 1**.

STEP 3:

Place gasket over bolt extending from pole. See **Figure 1**.

STEP 4:

Place the top hole of the Universal mounting arm over the top bolt from the pole and secure with lock washer and 5/16" hex nut.

STEP 5:

Install remaining bolt with lock-washer thru the bottom hole and thread into the Universal mounting arm. See **Figure 1**.

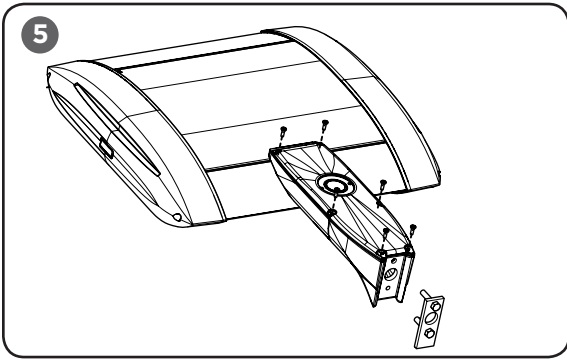
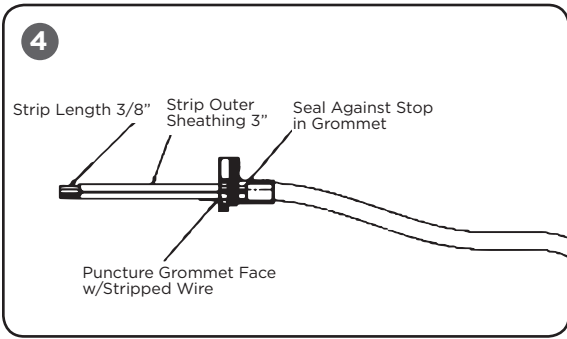
STEP 6:

Torque 5/16" hex nut and bolt to 132 in. lbs. (15 N•m). Install fixture by sliding the fixture arm into the slot in the Universal mounting arm. See **Figure 1**.

ELECTRICAL CONNECTIONS AND FINAL ASSEMBLY

STEP 1:

Route supply wire from the pole into the Universal Mounting arm. See **Figure 3**. The supply wire should be long enough to extend at least 3" into the fixture arm.



STEP 2:

Strip 3/8" of insulation from supply wires and insert one wire into each of the three holes in the grommet. Push the supply wires thru the plug so that they puncture and go thru the grommet. Pull the wires so that 3" of wire extend from the grommet. See **Figure 4**.

STEP 3:

Install the grommet with wires into the wire channel between the Universal Mounting arm and the fixture arm. See **Figure 3**.

Note: The grommet should be installed with the flange side flush to the rear wall of the fixture arm.

STEP 4:

Install the mounting clip with the two screws provided. See **Figure 1**.

STEP 5:

Insert supply wires into the appropriate terminal connection and make electrical connections per **"ELECTRICAL CONNECTION"** section.

IMPORTANT: Damage to fixture will result when improper voltage is applied. Verify fixture is suitable for supply voltage by checking electrical label on fixture.

STEP 6:

Connect the ground lead from the arm cover into the appropriate terminal connection.

STEP 7:

Install arm cover over both the Universal Mounting Arm and the fixture arm using provided screws. See **Figure 5**.

NEMA RECEPTACLE (OPTIONAL)

STEP 1:

Loosen two flat head screws holding NEMA receptacle to housing a few turns.

STEP 2:

Locate the N symbol on receptacle, representing north.

STEP 3:

Rotate N approximately north, some photo controls operate best somewhere between NW and NE.

STEP 4:

Once orientation of receptacle is complete, tighten screws from **Step 1**.

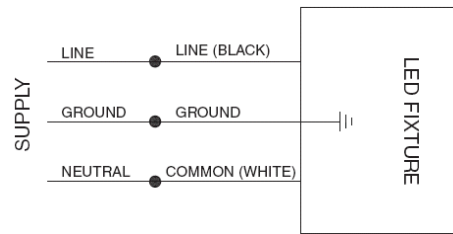
Install photo control (supplied by customer).

STEP 5:

Install photo control (supplied by customer).

**ELECTRICAL CONNECTIONS-
PHASE to NEUTRAL WIRING - 120/277V**

- a. Push down on terminal marked for ground and insert supply ground conductor.
- b. Push down on terminal marked for N (Neutral) and insert supply Neutral conductor.
- c. Push down on terminal marked for L1 (Neutral) and insert supply Hot conductor.



**ELECTRICAL CONNECTIONS-
PHASE to PHASE WIRING - 208/240/480V**

- a. Push down on terminal marked for ground and insert supply ground conductor.
- b. Push down on terminal marked for N (Neutral) and insert supply L2 (Hot) conductor.
- c. Push down on terminal marked for L1 (Line) and insert supply L1 (Hot) conductor.

