

IMPORTANT SAFEGUARDS

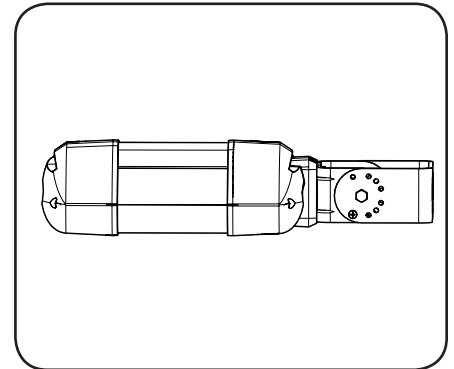
When using electrical equipment, basic safety precautions should always be followed including the following:

READ AND FOLLOW ALL SAFETY INSTRUCTIONS

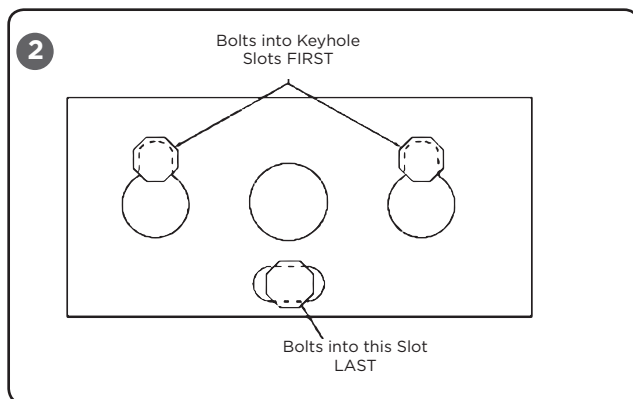
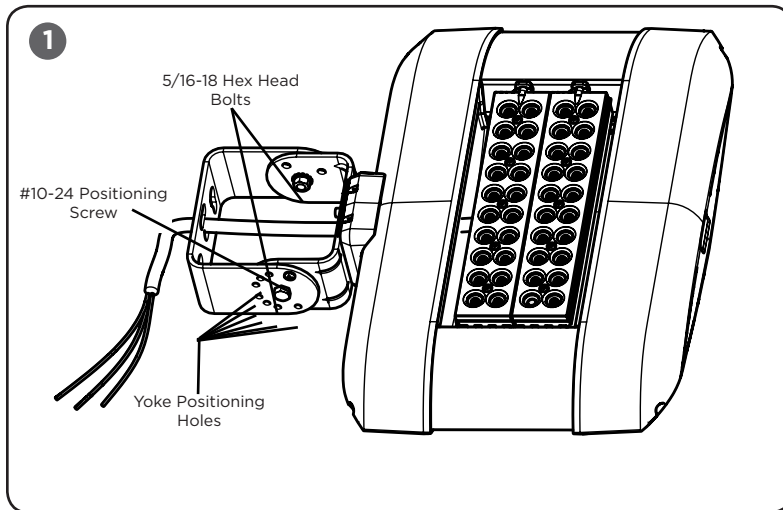
1. To avoid the possibility of electrical shock, turn off power supply before installation or servicing. Installation and servicing should be performed by qualified personnel.
2. This fixture is intended for indoor use only.
3. When handling, hold fixture on sides to prevent damage to the top screen or LED's.
4. Product must be installed in accordance with NEC or your local electrical code. If you are not familiar with these codes and requirements, consult a qualified electrician.
5. Take care to keep the LED lenses clean during installation.

SAVE THESE INSTRUCTIONS FOR FUTURE REFERENCE

INSTALLATION INSTRUCTIONS



TO INSTALL:



MOUNTING

STEP 1:
Mount fixture using three 3/8" (10 mm) bolts appropriate for mounting surface. See **Figure 2**.

TO AIM LUMINAIRE

- STEP 1:**
Remove #10-24 positioning screw. See **Figure 1**
- STEP 2:**
Loosen both 5/16-18 hex head bolts on sides of yoke. See **Figure 1**.
- STEP 3:**
Rotate yoke to desired angle. Line up inner and outer yoke positioning holes. See **Figure 1**.
- STEP 4:**
Insert #10-24 screw, that was removed in Step 1, into matching holes of inner and outer yokes, and tighten.
- STEP 5:**
Retighten 5/16-18 hex head bolts.

ELECTRICAL CONNECTIONS

- STEP 1:**
Make the following electrical connections:
- a. Connect supply ground wire to green wire from fixture cord.
 - b. Connect supply line conductor to black wire from fixture cord.
 - c. Connect supply neutral conductor to white wire from fixture cord.