

IMPORTANT SAFEGUARDS

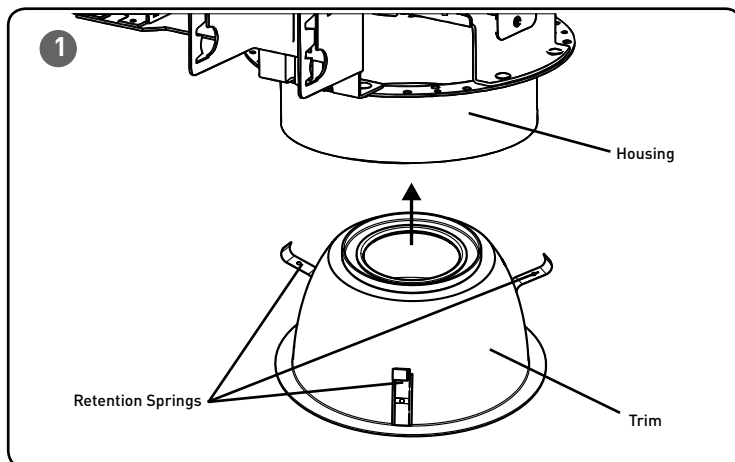
When using electrical equipment, basic safety precautions should always be followed including the following:

READ AND FOLLOW ALL SAFETY INSTRUCTIONS

1. **DANGER**- Risk of shock- Disconnect power before installation.
DANGER – Risque de choc – Couper l'alimentation avant l'installation.
2. This luminaire must be installed in accordance with the NEC or your local electrical code. If you are not familiar with these codes and requirements, consult a qualified electrician.
Ce produit doit être installé conformément à NEC ou votre code électrique local. Si vous n'êtes pas familier avec ces codes et ces exigences, veuillez contacter un électricien qualifié.

SAVE THESE INSTRUCTIONS FOR FUTURE REFERENCE

TO INSTALL:



INSTALLATION OF ROUND AND SQUARE TRIM

STEP 1:

Slightly press the trim retention springs inward and push trim up into housing until it snaps into place. See **Figure 1** for round trim and **Figure 2** for square trim.

NOTE: Trim should be snug against ceiling and the LMH2 LED Module.

TO REMOVE

STEP 1:

Pull down on trim flange until trim releases from fixture.

